

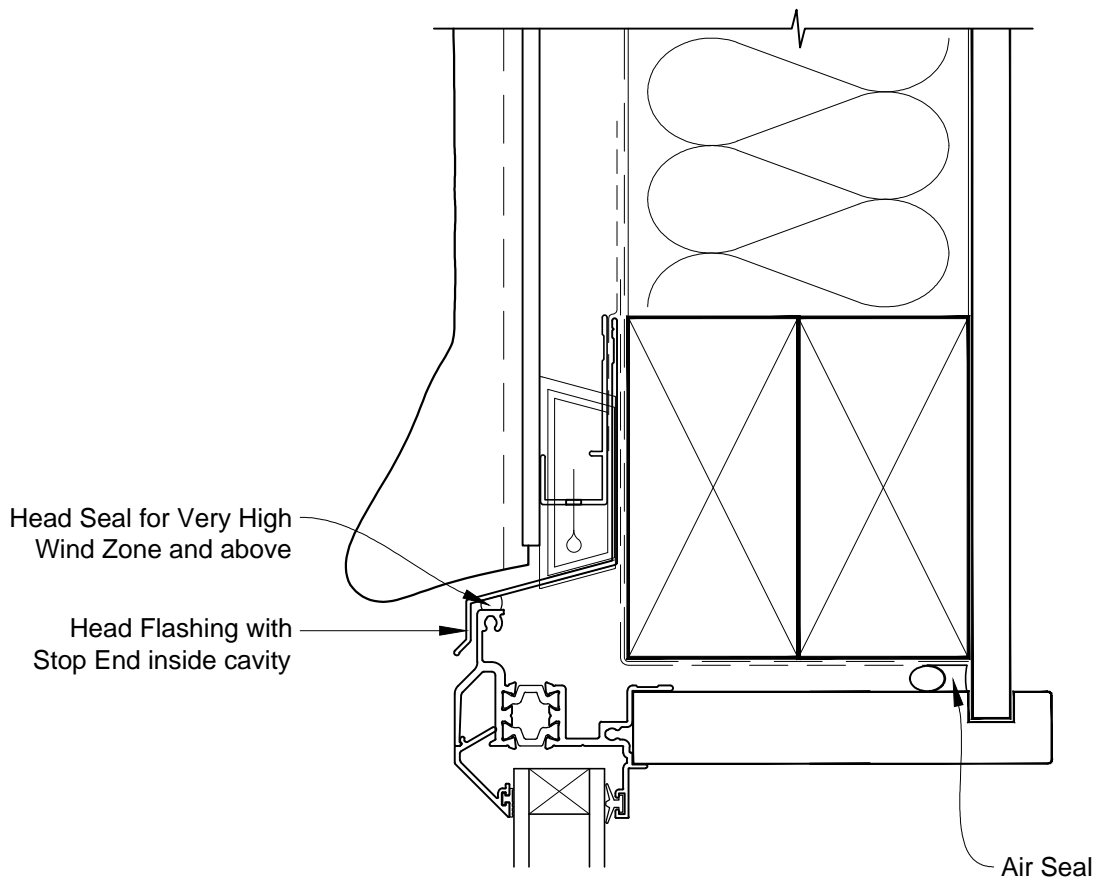


INSTALLATION DETAIL - ALThERM RESIDENTIAL THERMAL HEART - AWNING WINDOW ON STUCCO CAVITY CONSTRUCTION

Date: 01.03.14

Scale: 1:2

CAD Ref.: ATAWST-CH



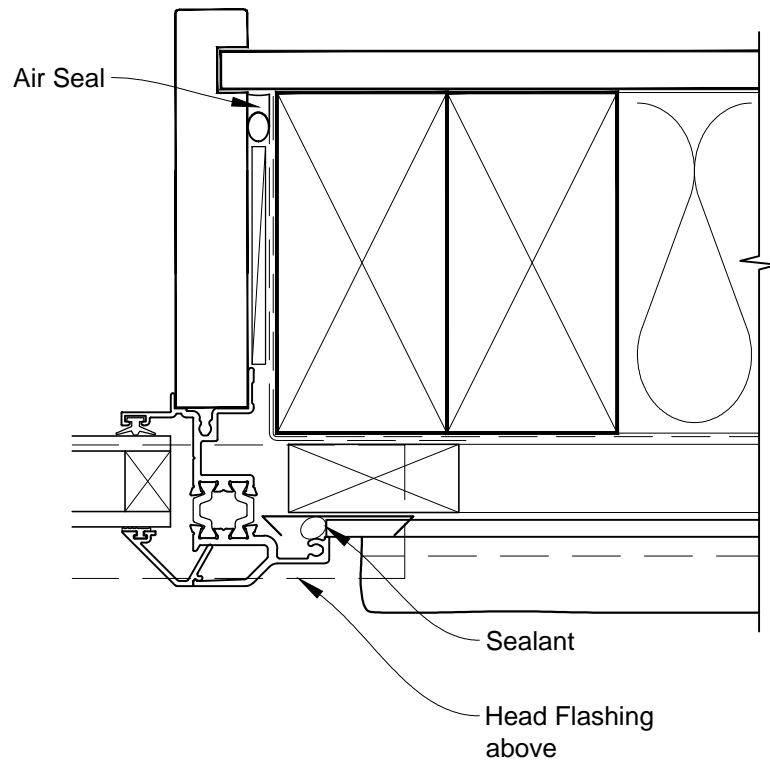


INSTALLATION DETAIL - ALThERM RESIDENTIAL THERMAL HEART - AWNING WINDOW ON STUCCO CAVITY CONSTRUCTION

Date: 01.03.14

Scale: 1:2

CAD Ref.: ATAWST-CJ



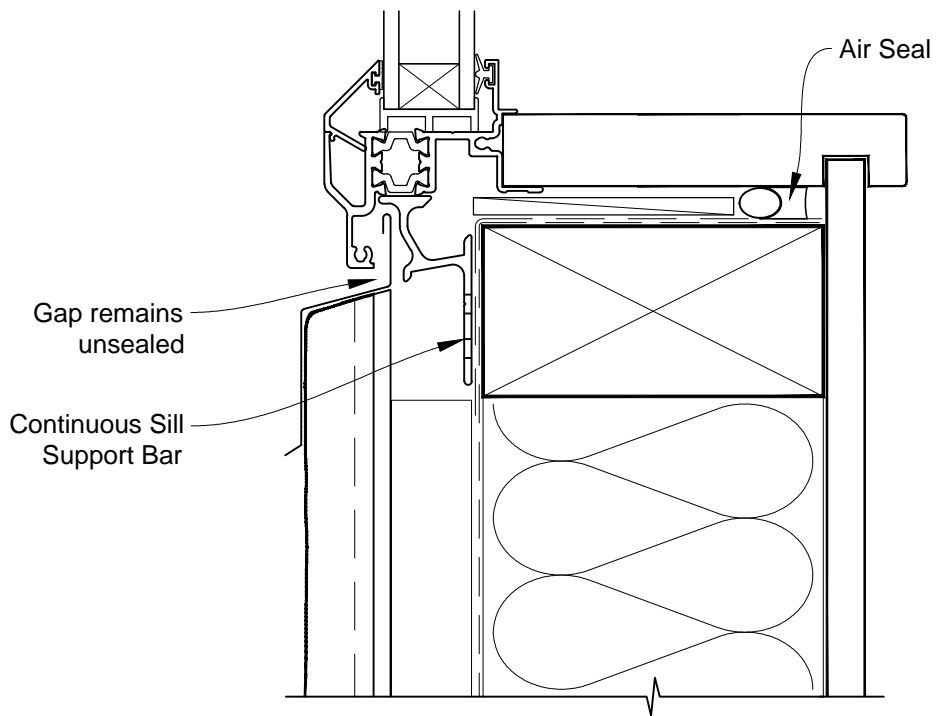


INSTALLATION DETAIL - ALThERM RESIDENTIAL THERMAL HEART - AWNING WINDOW ON STUCCO CAVITY CONSTRUCTION

Date: 01.03.14

Scale: 1:2

CAD Ref.: ATAWST-CS





INSTALLATION DETAIL - ALTherm RESIDENTIAL THERMAL HEART - AWNING WINDOW ON STUCCO CAVITY CONSTRUCTION

Date: 01.03.14

Scale: 1:2

CAD Ref.: ATAWST-CS2

