

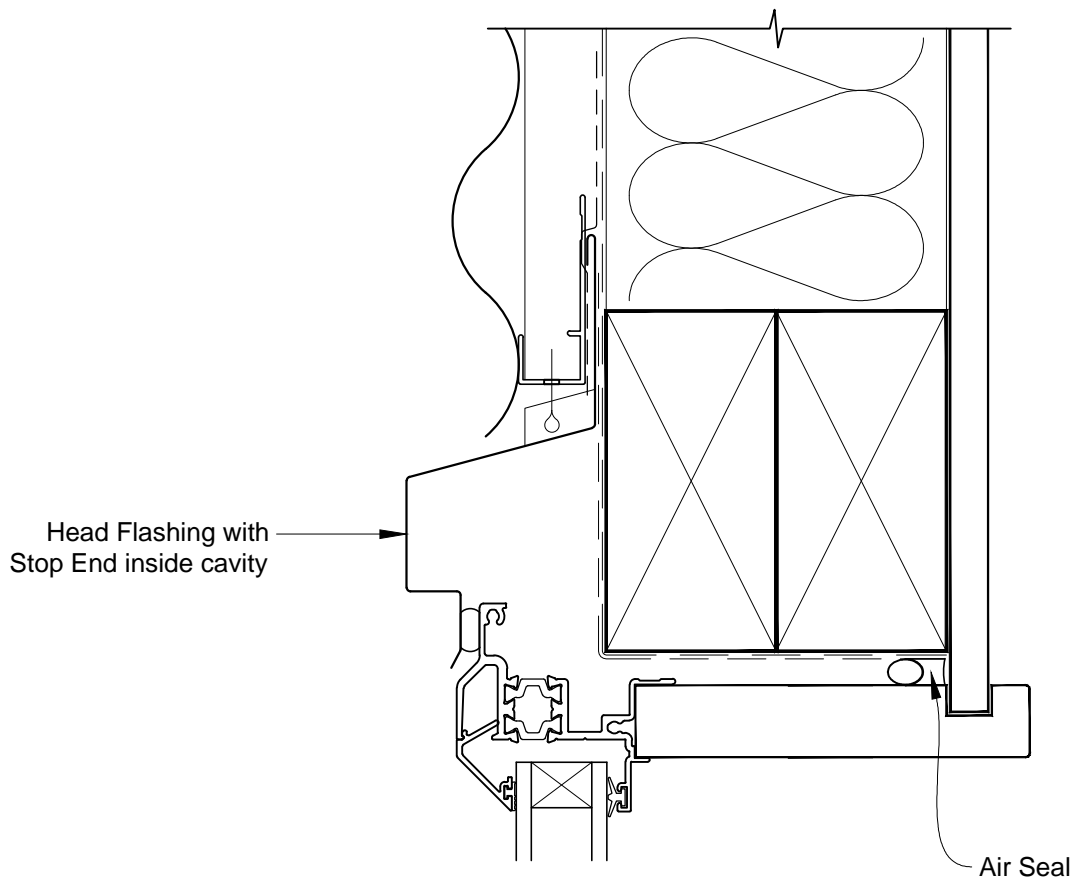


# INSTALLATION DETAIL - ALThERM RESIDENTIAL THERMAL HEART - AWNING WINDOW ON PROFILE METAL CAVITY CONSTRUCTION

Date: 01.03.14

Scale: 1:2

CAD Ref.: ATAWPM-CH



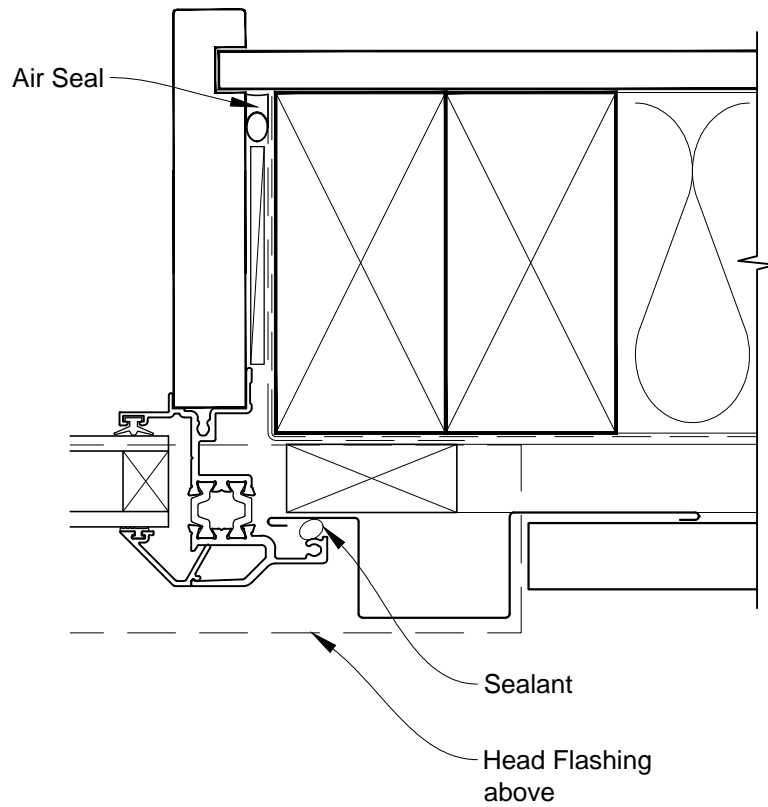


# INSTALLATION DETAIL - ALTherm RESIDENTIAL THERMAL HEART - AWNING WINDOW ON PROFILE METAL CAVITY CONSTRUCTION

Date: 01.03.14

Scale: 1:2

CAD Ref.: ATAWPM-CJ



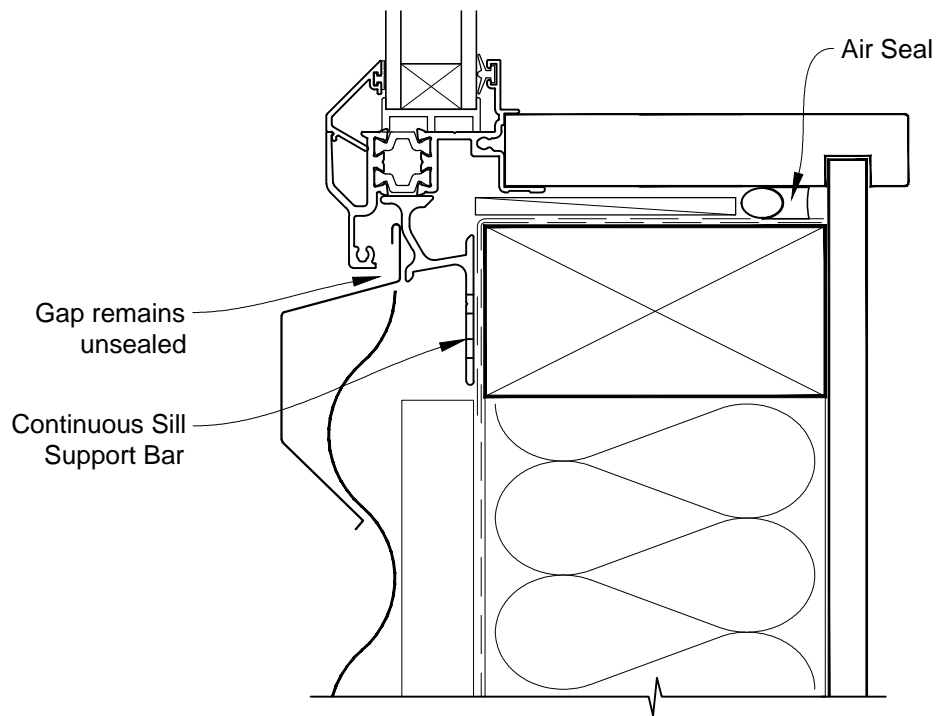


# INSTALLATION DETAIL - ALTherm RESIDENTIAL THERMAL HEART - AWNING WINDOW ON PROFILE METAL CAVITY CONSTRUCTION

Date: 01.03.14

Scale: 1:2

CAD Ref.: ATAWPM-CS



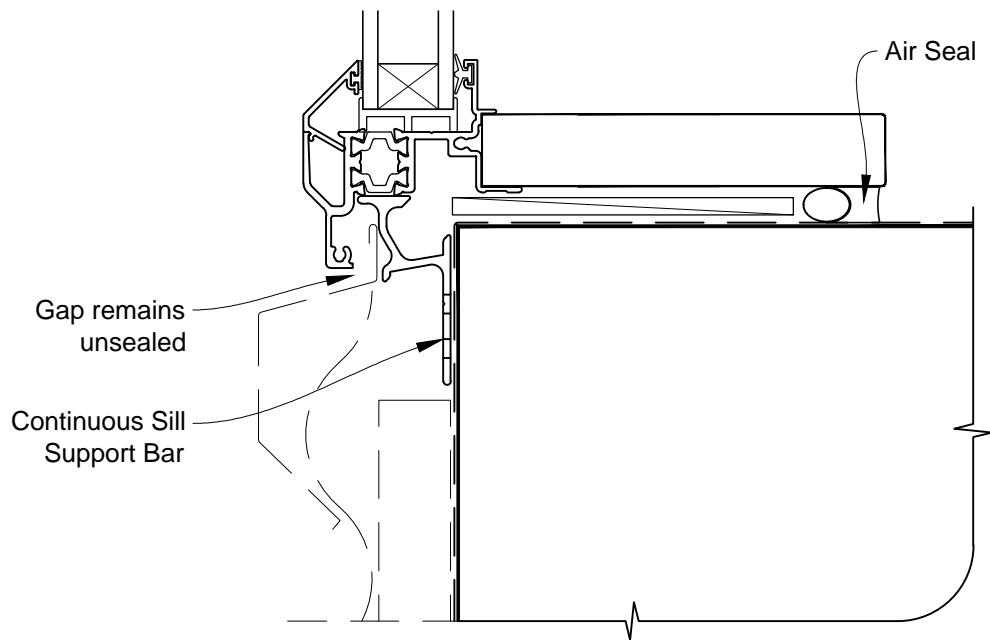


# INSTALLATION DETAIL - ALTherm RESIDENTIAL THERMAL HEART - AWNING WINDOW ON PROFILE METAL CAVITY CONSTRUCTION

Date: 01.03.14

Scale: 1:2

CAD Ref.: ATAWPM-CS2



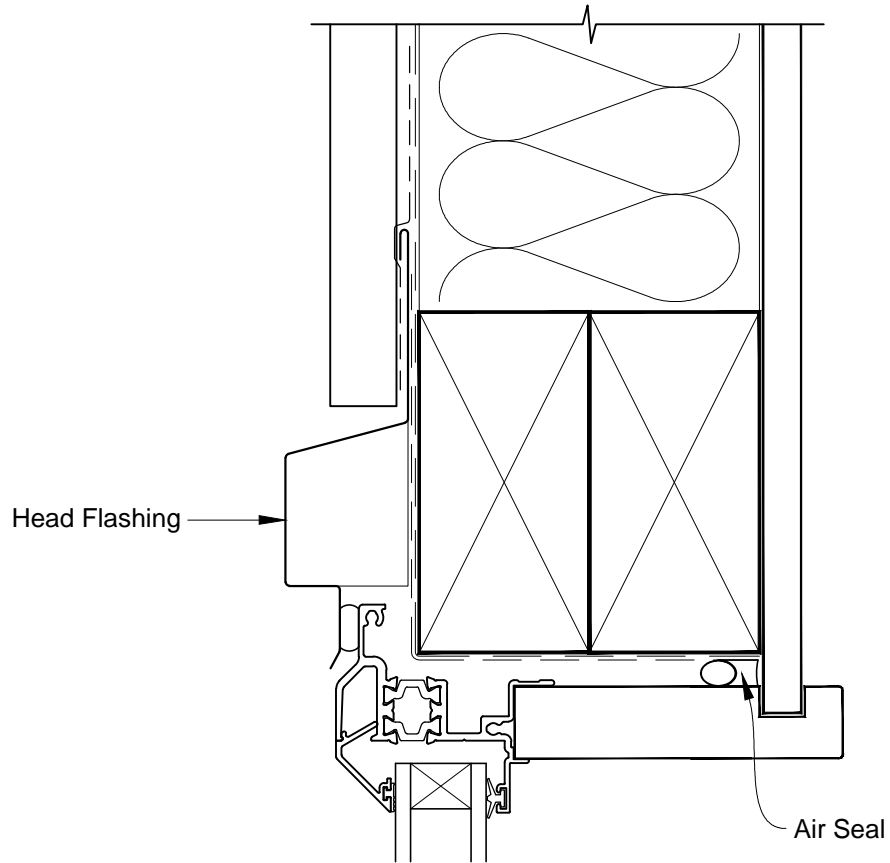


**INSTALLATION DETAIL - ALThERM RESIDENTIAL THERMAL  
HEART - AWNING WINDOW ON PROFILE METAL  
DIRECT FIXED CLADDING**

Date: 01.03.14

Scale: 1:2

CAD Ref.: ATAWPM-DH



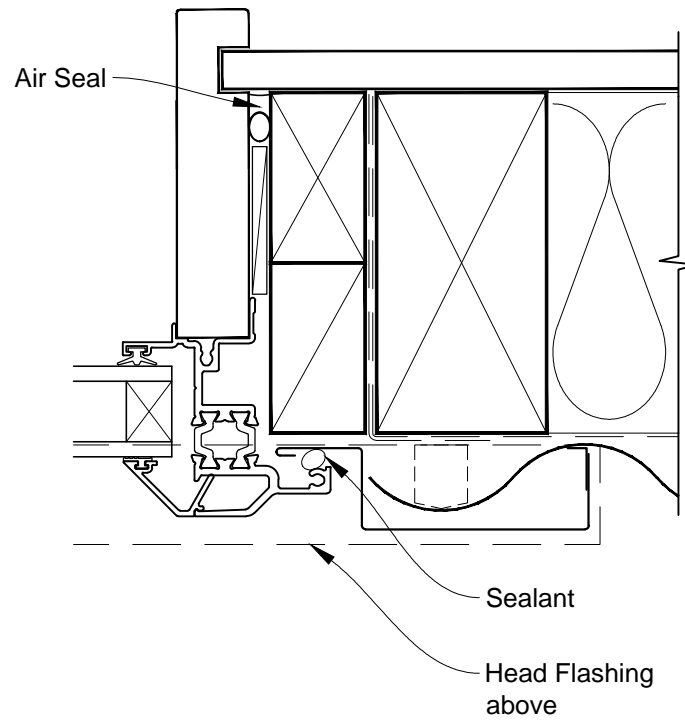


**INSTALLATION DETAIL - ALThERM RESIDENTIAL THERMAL  
HEART - AWNING WINDOW ON PROFILE METAL  
DIRECT FIXED CLADDING**

Date: 01.03.14

Scale: 1:2

CAD Ref.: ATAWPM-DJ



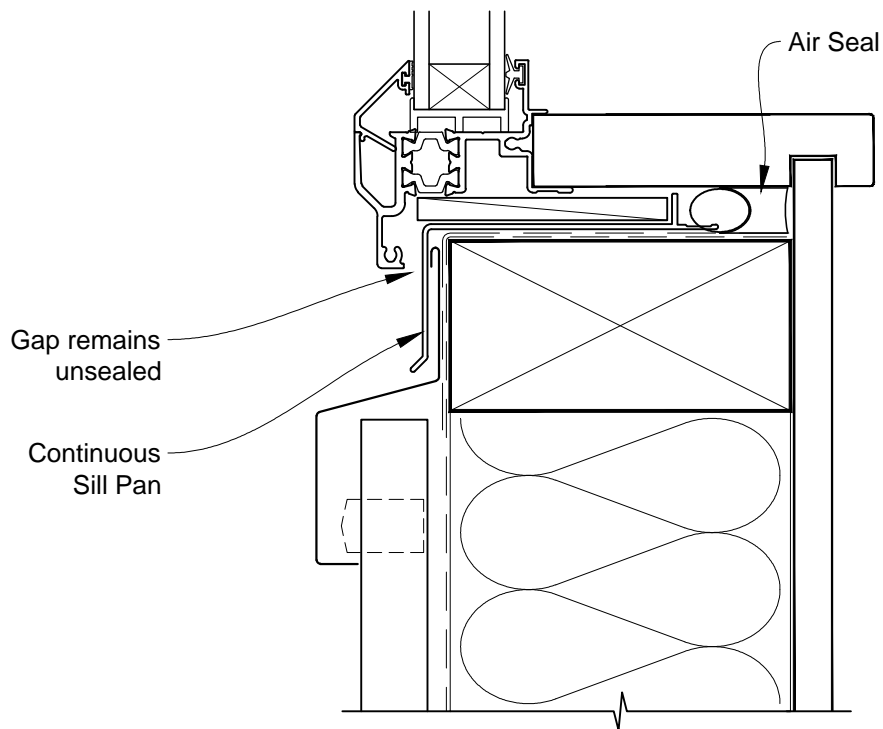


**INSTALLATION DETAIL - ALThERM RESIDENTIAL THERMAL  
HEART - AWNING WINDOW ON PROFILE METAL  
DIRECT FIXED CLADDING**

Date: 01.03.14

Scale: 1:2

CAD Ref.: ATAWPM-DS





**INSTALLATION DETAIL - ALThERM RESIDENTIAL THERMAL  
HEART - AWNING WINDOW ON PROFILE METAL  
DIRECT FIXED CLADDING**

Date: 01.03.14

Scale: 1:2

CAD Ref.: ATAWPM-DS2

