

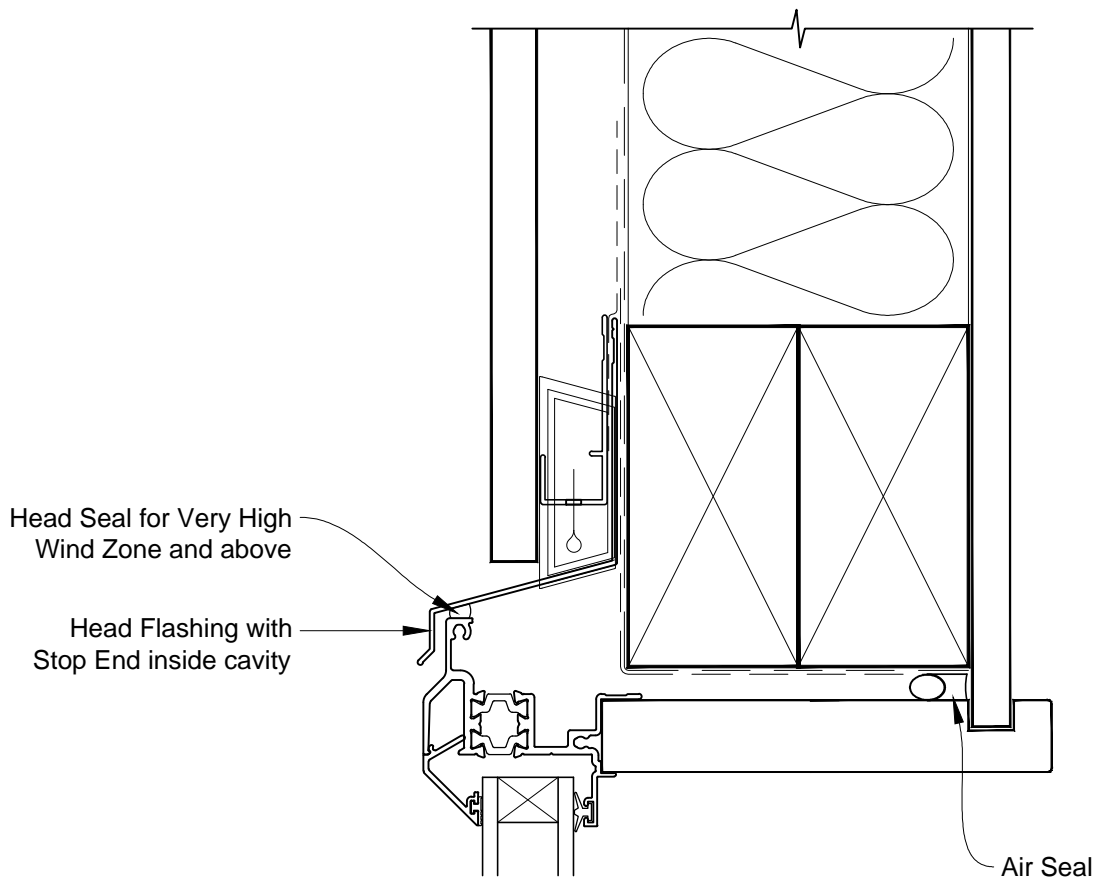


# INSTALLATION DETAIL - ALThERM RESIDENTIAL THERMAL HEART - AWNING WINDOW ON FLAT SHEET CAVITY CONSTRUCTION

Date: 01.03.14

Scale: 1:2

CAD Ref.: ATAWFS-CH



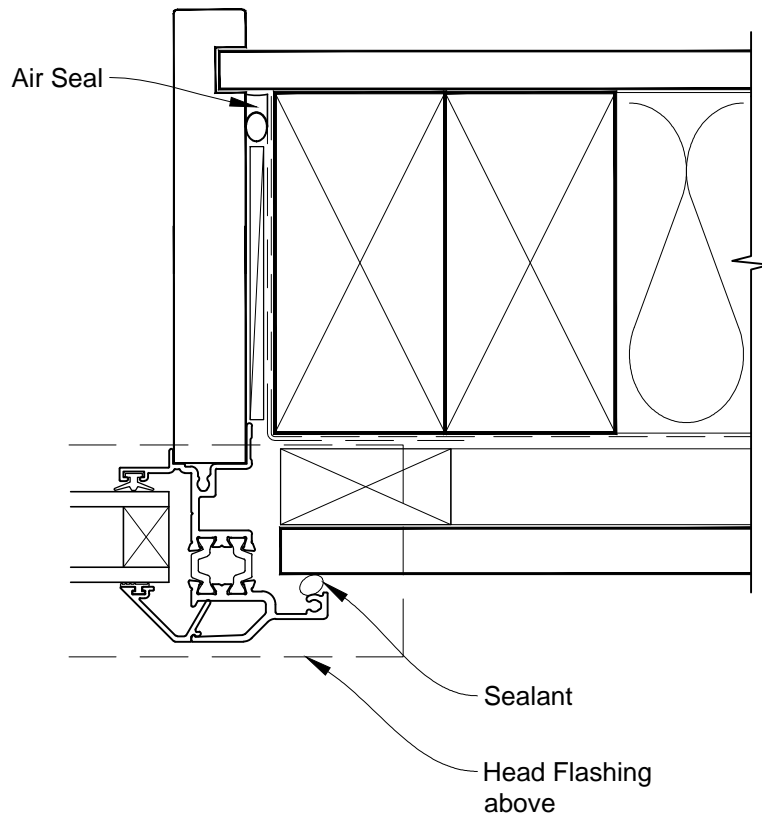


**INSTALLATION DETAIL - ALThERM RESIDENTIAL THERMAL  
HEART - AWNING WINDOW ON FLAT SHEET  
CAVITY CONSTRUCTION**

Date: 01.03.14

Scale: 1:2

CAD Ref.: ATAWFS-CJ



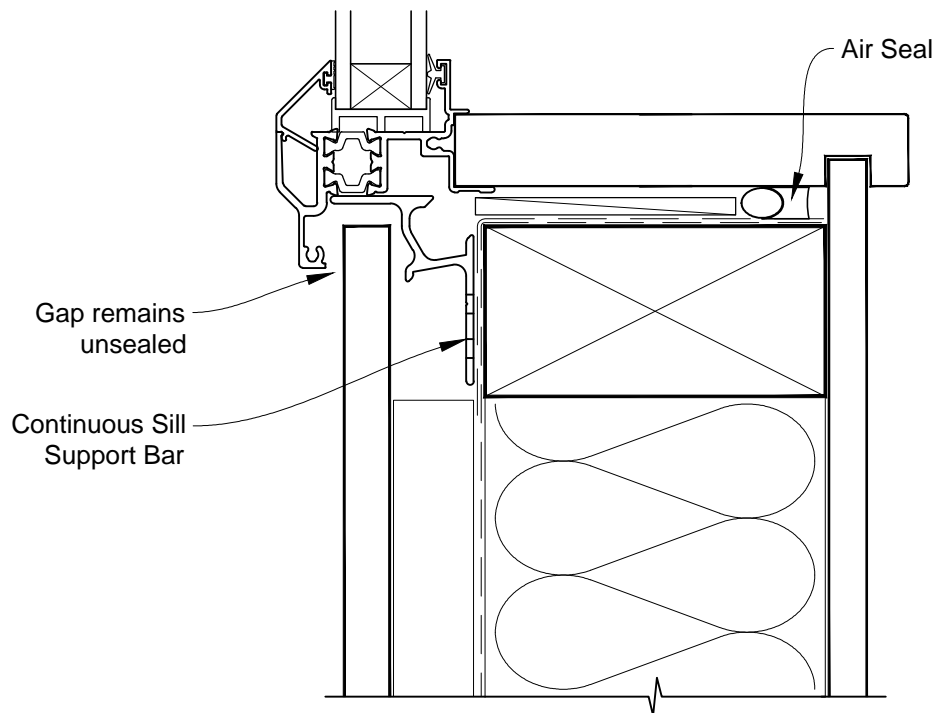


# INSTALLATION DETAIL - ALTherm RESIDENTIAL THERMAL HEART - AWNING WINDOW ON FLAT SHEET CAVITY CONSTRUCTION

Date: 01.03.14

Scale: 1:2

CAD Ref.: ATAWFS-CS



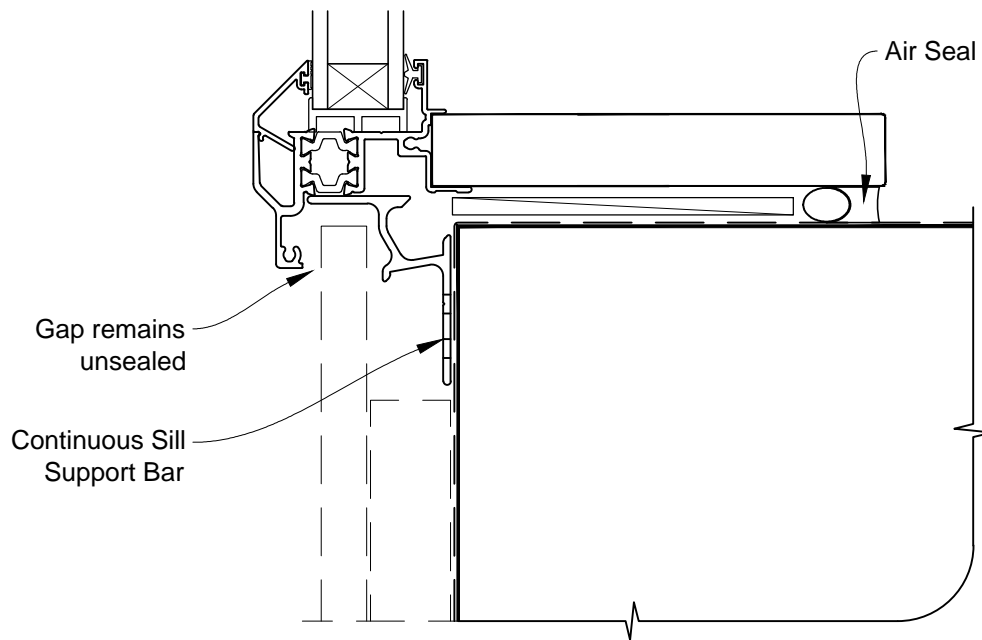


# INSTALLATION DETAIL - ALThERM RESIDENTIAL THERMAL HEART - AWNING WINDOW ON FLAT SHEET CAVITY CONSTRUCTION

Date: 01.03.14

Scale: 1:2

CAD Ref.: ATAWFS-CS2



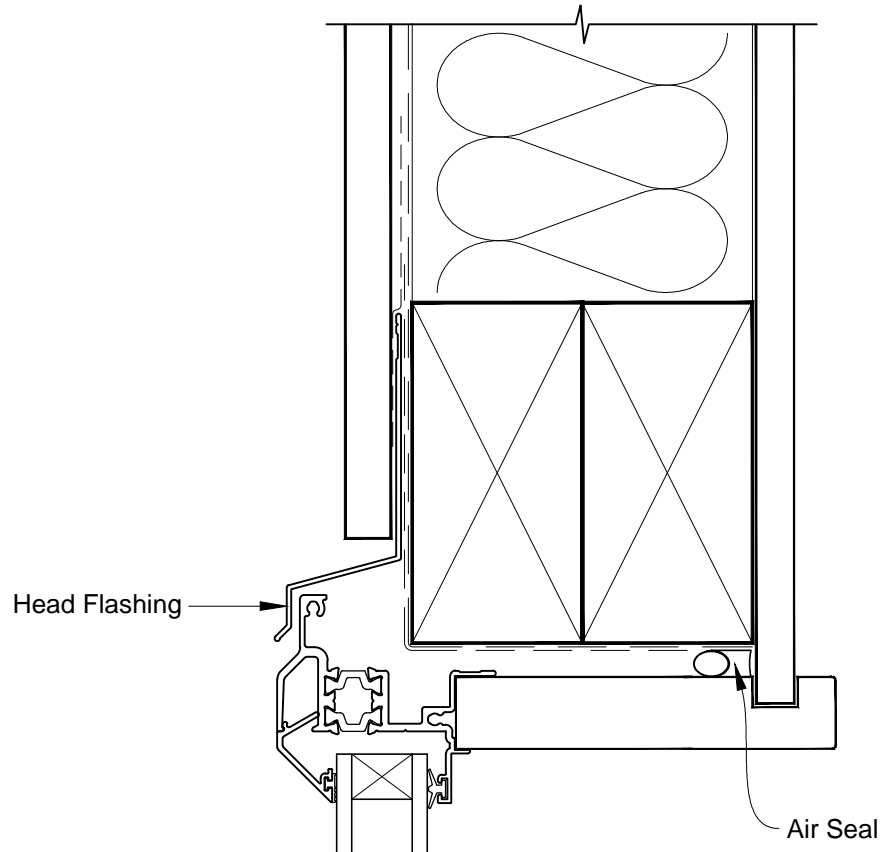


**INSTALLATION DETAIL - ALThERM RESIDENTIAL THERMAL  
HEART - AWNING WINDOW ON FLAT SHEET  
DIRECT FIXED CLADDING**

Date: 01.03.14

Scale: 1:2

CAD Ref.: ATAWFS-DH



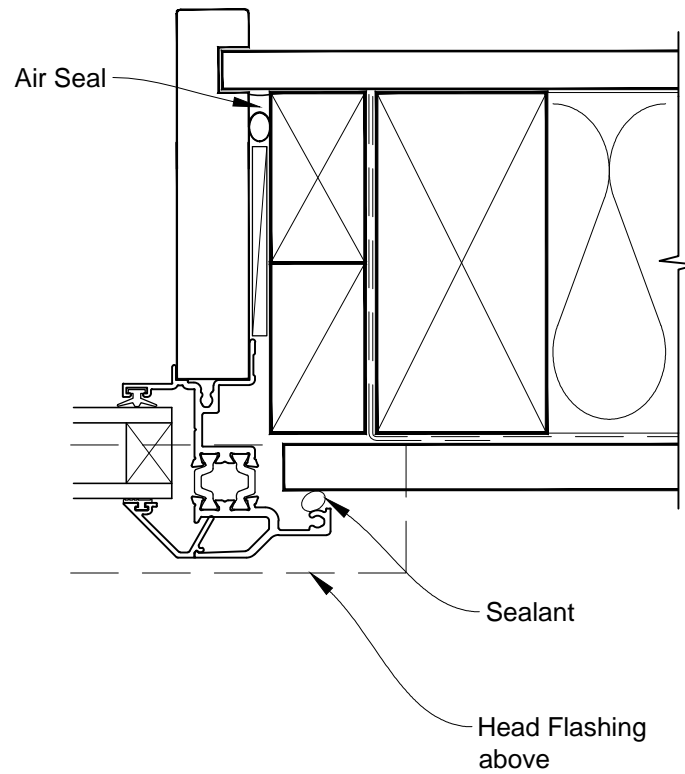


**INSTALLATION DETAIL - ALThERM RESIDENTIAL THERMAL  
HEART - AWNING WINDOW ON FLAT SHEET  
DIRECT FIXED CLADDING**

Date: 01.03.14

Scale: 1:2

CAD Ref.: ATAWFS-DJ



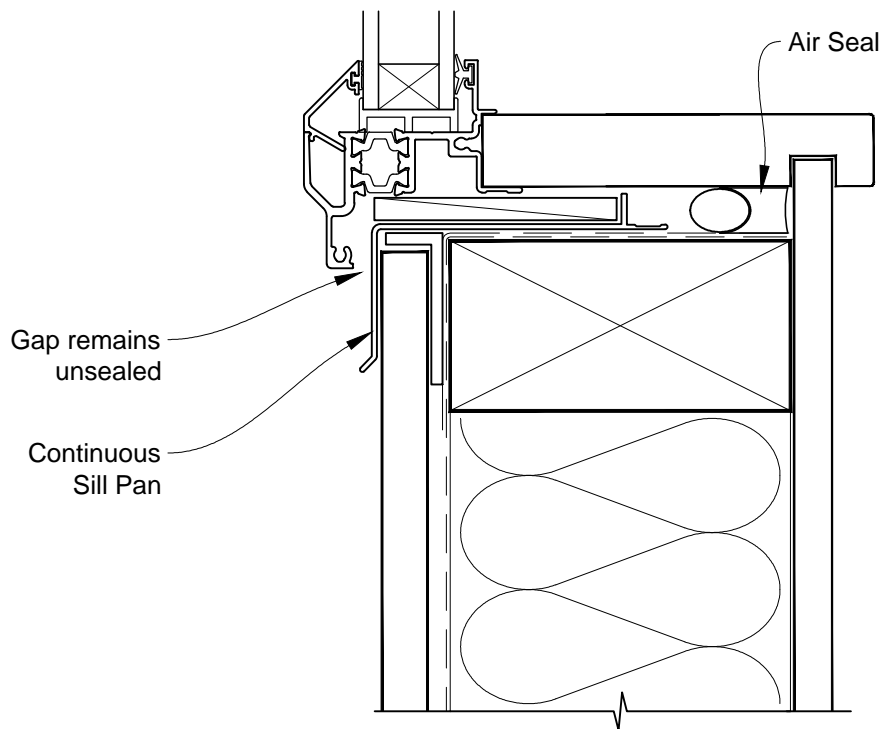


**INSTALLATION DETAIL - ALThERM RESIDENTIAL THERMAL  
HEART - AWNING WINDOW ON FLAT SHEET  
DIRECT FIXED CLADDING**

Date: 01.03.14

Scale: 1:2

CAD Ref.: ATAWFS-DS





**INSTALLATION DETAIL - ALThERM RESIDENTIAL THERMAL  
HEART - AWNING WINDOW ON FLAT SHEET  
DIRECT FIXED CLADDING**

Date: 01.03.14

Scale: 1:2

CAD Ref.: ATAWFS-DS2

