

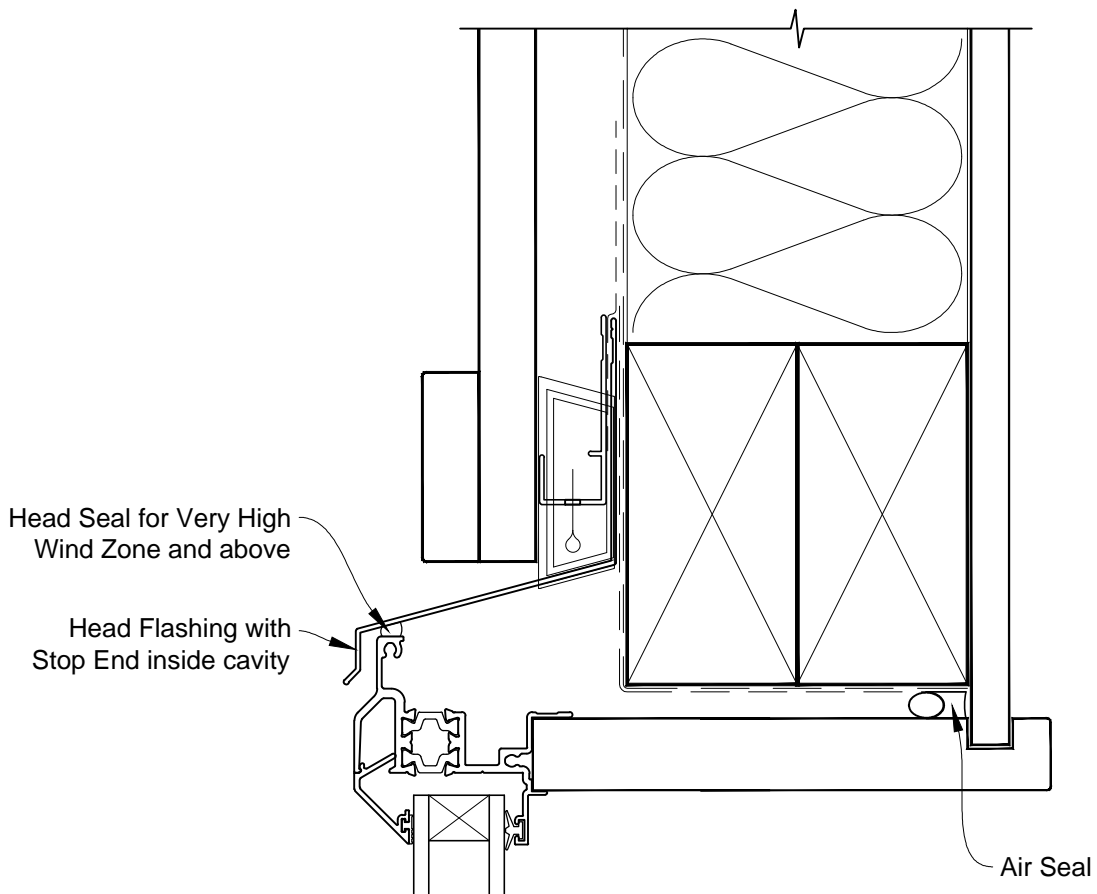


INSTALLATION DETAIL - ALTherm RESIDENTIAL THERMAL HEART - AWNING WINDOW ON BOARD & BATTEN CAVITY CONSTRUCTION

Date: 01.03.14

Scale: 1:2

CAD Ref.: ATAWBB-CH



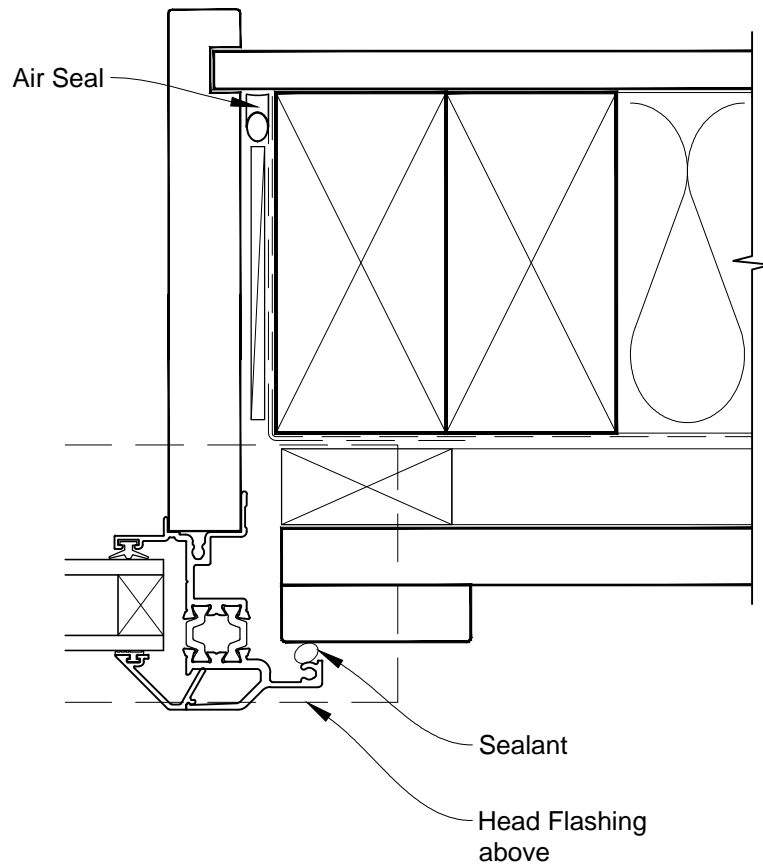


INSTALLATION DETAIL - ALThERM RESIDENTIAL THERMAL HEART - AWNING WINDOW ON BOARD & BATTEN CAVITY CONSTRUCTION

Date: 01.03.14

Scale: 1:2

CAD Ref.: ATAWBB-CJ



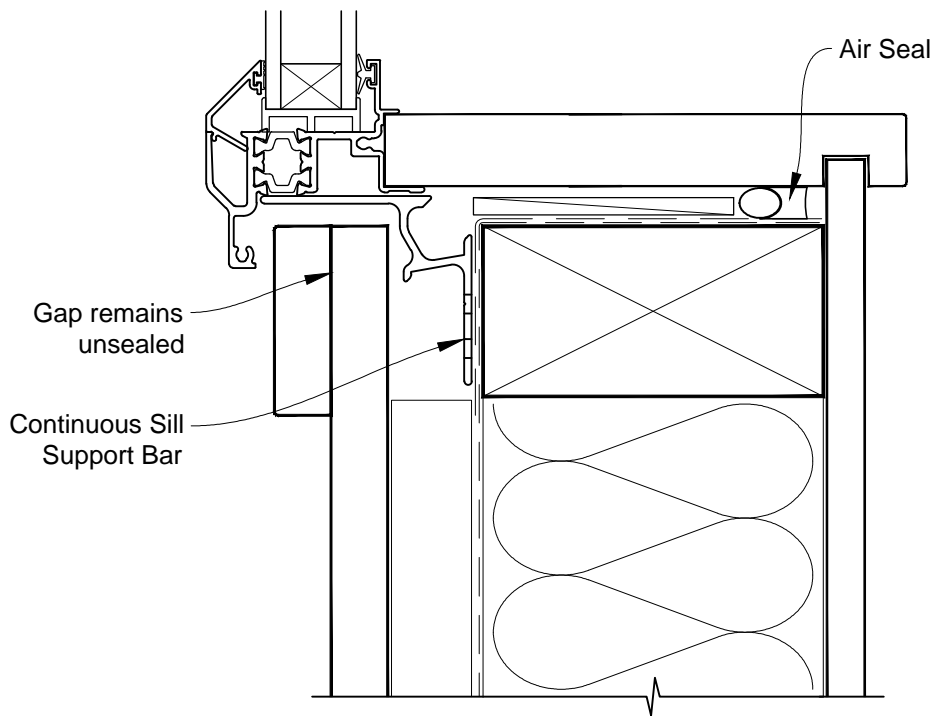


INSTALLATION DETAIL - ALThERM RESIDENTIAL THERMAL HEART - AWNING WINDOW ON BOARD & BATTEN CAVITY CONSTRUCTION

Date: 01.03.14

Scale: 1:2

CAD Ref.: ATAWBB-CS



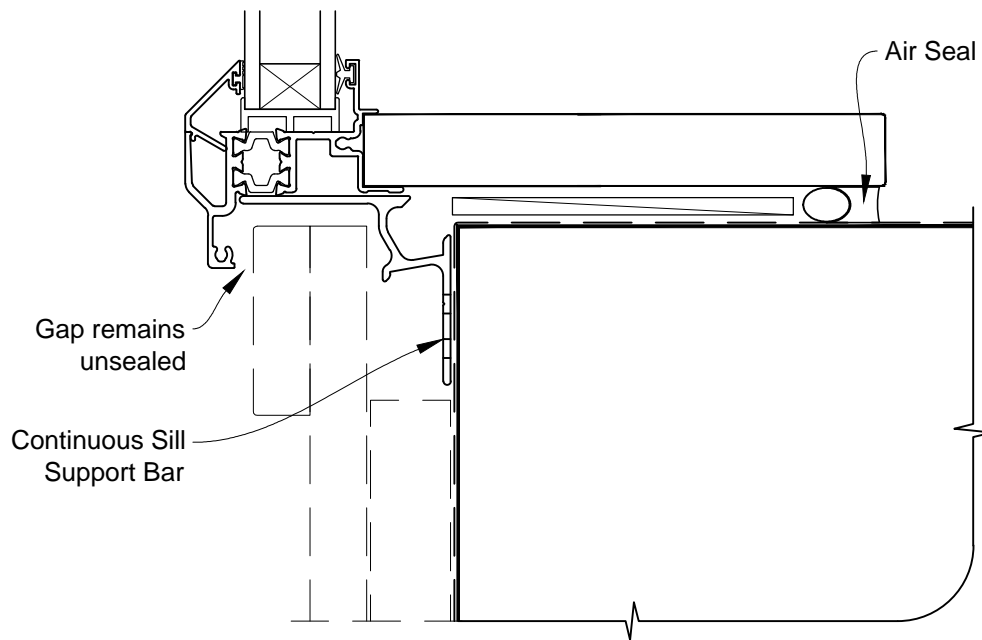


INSTALLATION DETAIL - ALTherm RESIDENTIAL THERMAL HEART - AWNING WINDOW ON BOARD & BATTEN CAVITY CONSTRUCTION

Date: 01.03.14

Scale: 1:2

CAD Ref.: ATAWBB-CS2



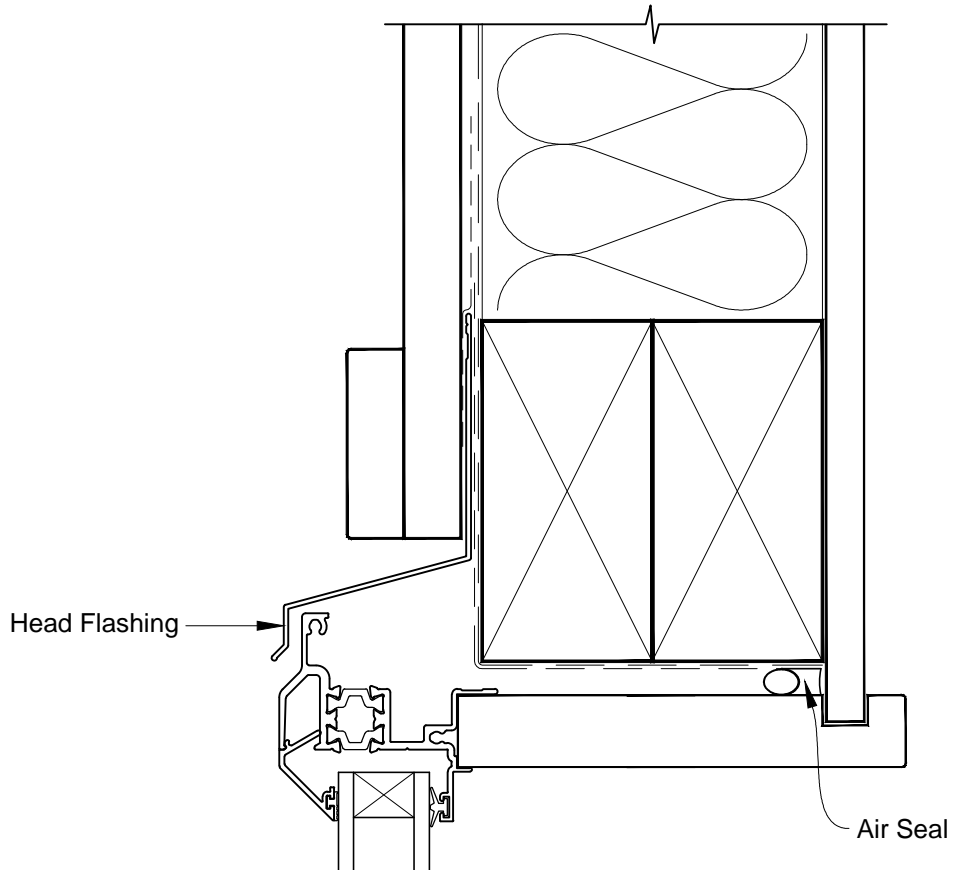


**INSTALLATION DETAIL - ALTherm RESIDENTIAL THERMAL
HEART - AWNING WINDOW ON BOARD & BATTEN
DIRECT FIXED CLADDING**

Date: 01.03.14

Scale: 1:2

CAD Ref.: ATAWBB-DH



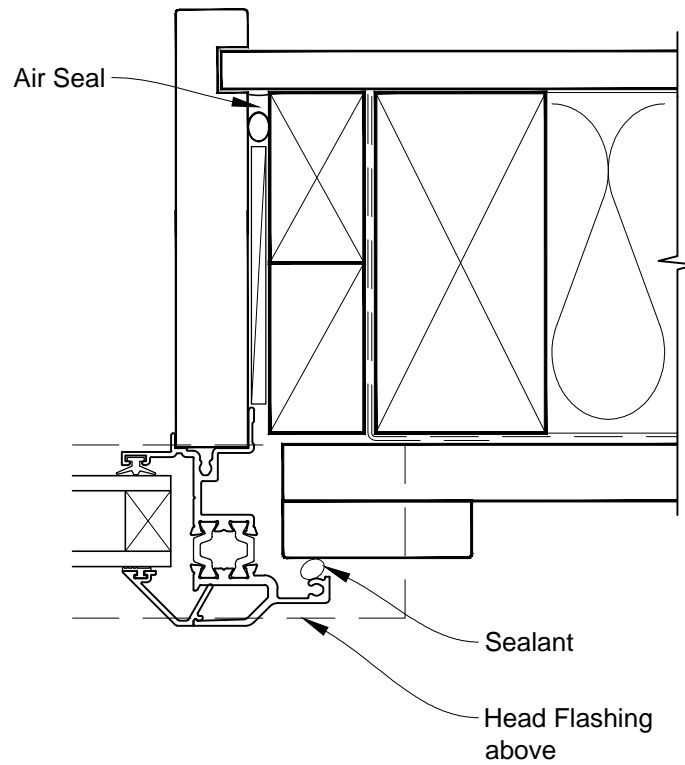


INSTALLATION DETAIL - ALThERM RESIDENTIAL THERMAL HEART - AWNING WINDOW ON BOARD & BATTEN DIRECT FIXED CLADDING

Date: 01.03.14

Scale: 1:2

CAD Ref.: ATAWBB-DJ



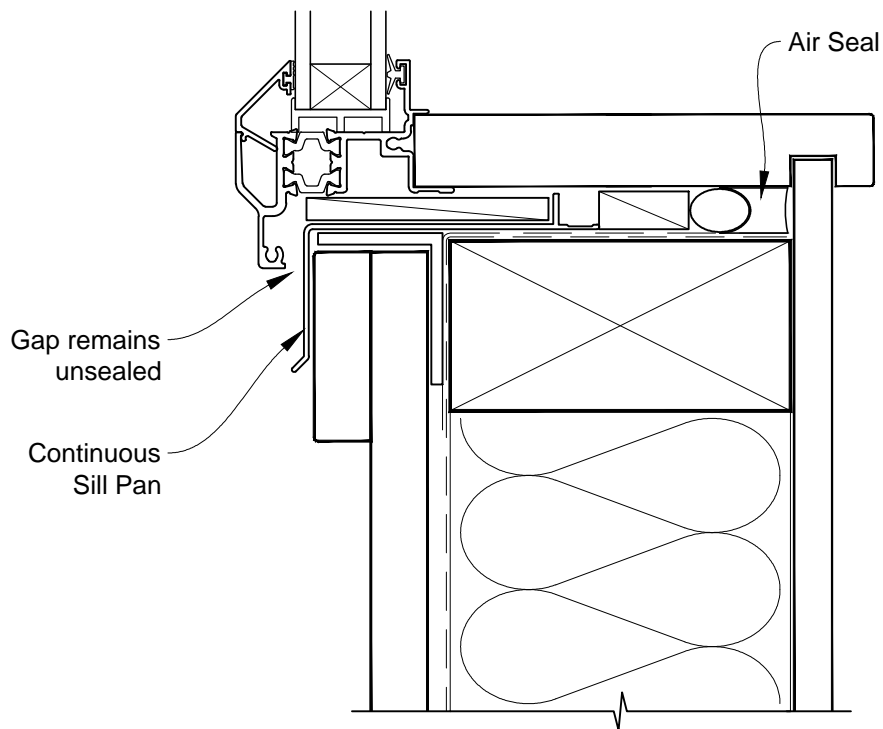


**INSTALLATION DETAIL - ALTherm RESIDENTIAL THERMAL
HEART - AWNING WINDOW ON BOARD & BATTEN
DIRECT FIXED CLADDING**

Date: 01.03.14

Scale: 1:2

CAD Ref.: ATAWBB-DS





**INSTALLATION DETAIL - ALThERM RESIDENTIAL THERMAL
HEART - AWNING WINDOW ON BOARD & BATTEN
DIRECT FIXED CLADDING**

Date: 01.03.14

Scale: 1:2

CAD Ref.: ATAWBB-DS2

