

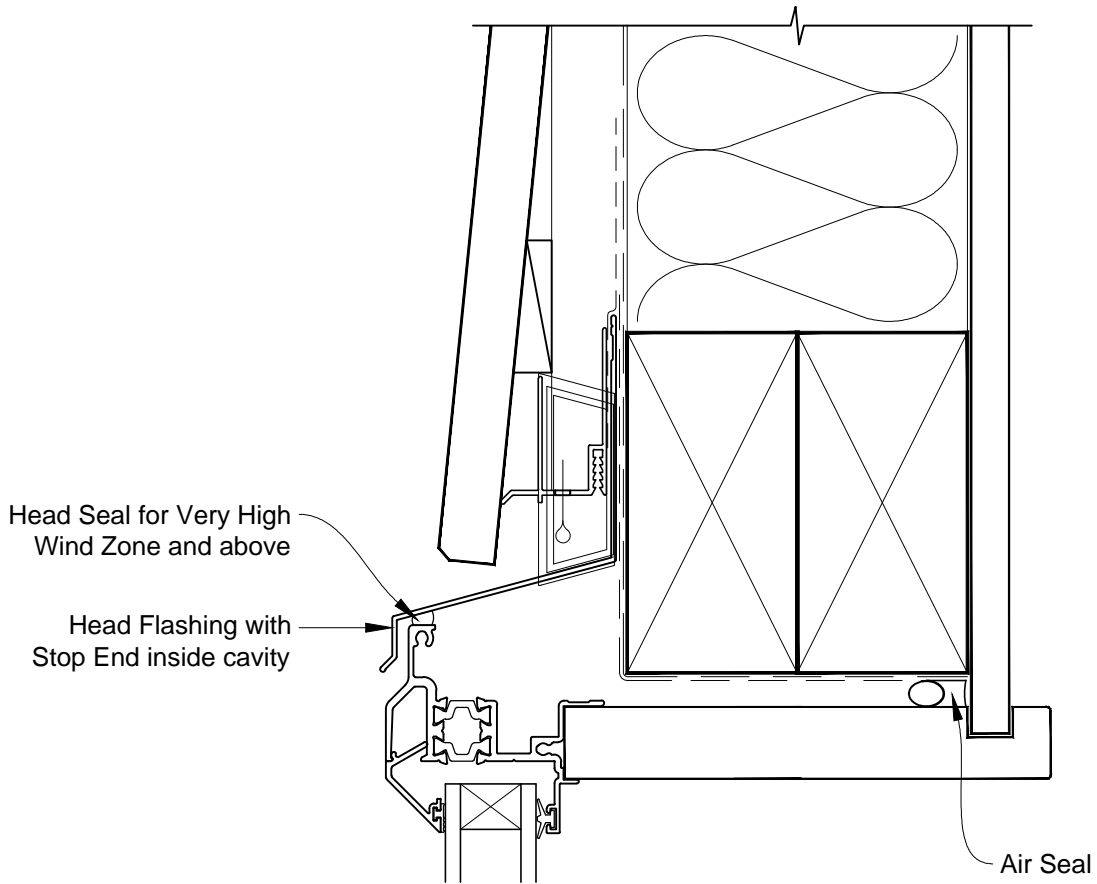


# INSTALLATION DETAIL - ALTherm RESIDENTIAL THERMAL HEART - AWNING WINDOW ON BEVELBACK WEATHERBOARD CAVITY CONSTRUCTION

Date: 01.03.14

Scale: 1:2

CAD Ref.: ATAWBW-CH



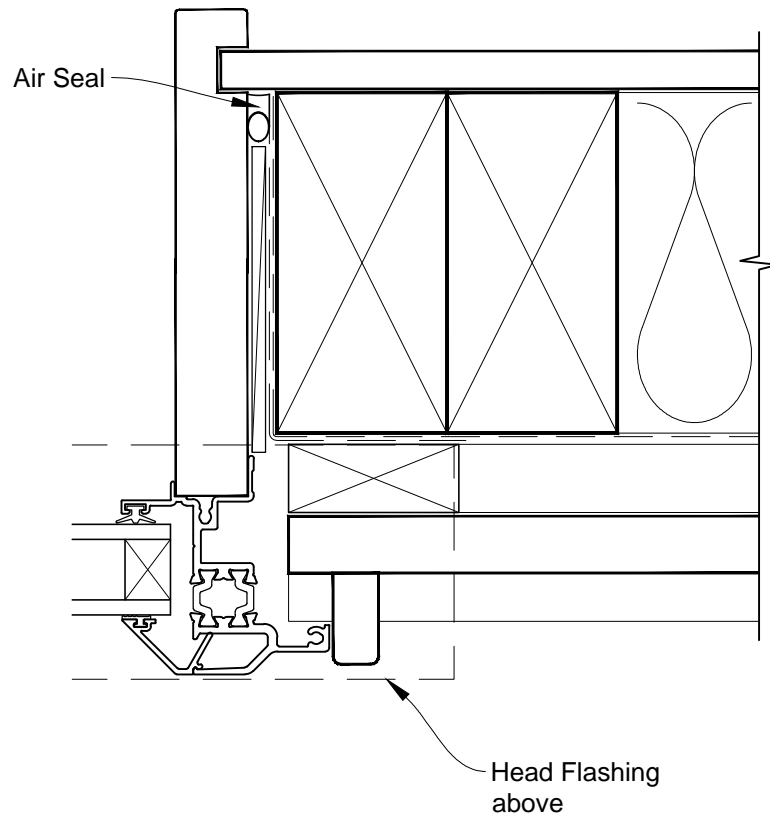


# INSTALLATION DETAIL - ALThERM RESIDENTIAL THERMAL HEART - AWNING WINDOW ON BEVELBACK WEATHERBOARD CAVITY CONSTRUCTION

Date: 01.03.14

Scale: 1:2

CAD Ref.: ATAWBW-CJ



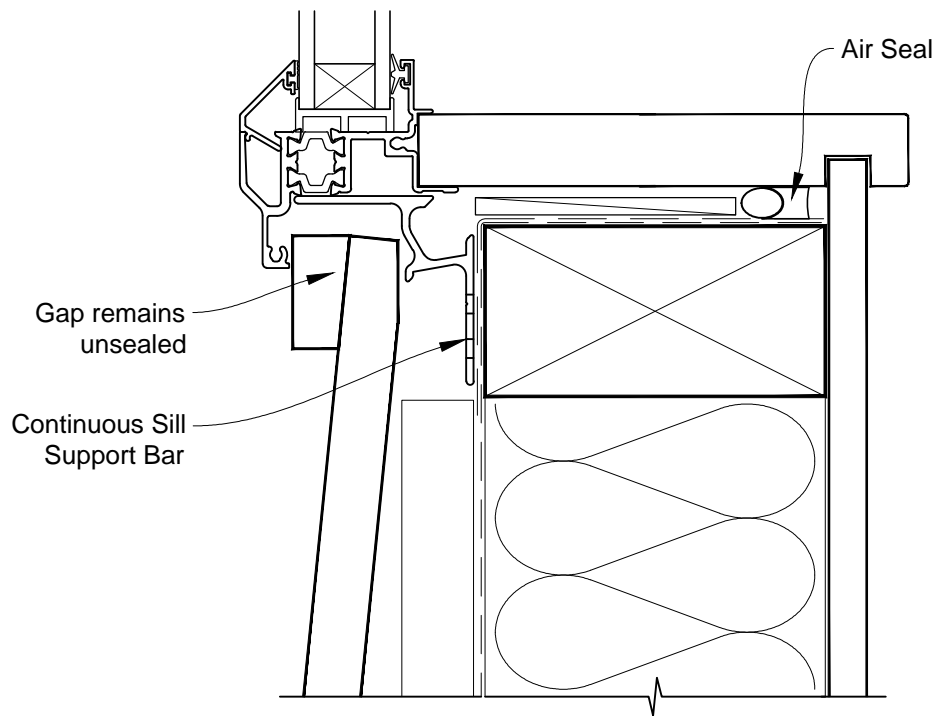


# INSTALLATION DETAIL - ALThERM RESIDENTIAL THERMAL HEART - AWNING WINDOW ON BEVELBACK WEATHERBOARD CAVITY CONSTRUCTION

Date: 01.03.14

Scale: 1:2

CAD Ref.: ATAWBW-CS



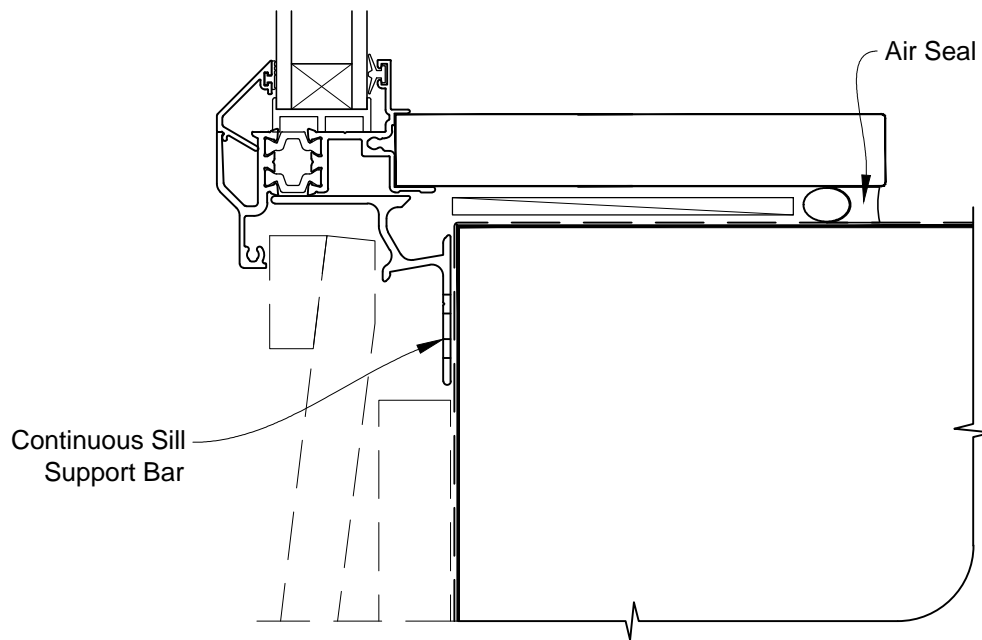


# INSTALLATION DETAIL - ALTherm RESIDENTIAL THERMAL HEART - AWNING WINDOW ON BEVELBACK WEATHERBOARD CAVITY CONSTRUCTION

Date: 01.03.14

Scale: 1:2

CAD Ref.: ATAWBW-CS2



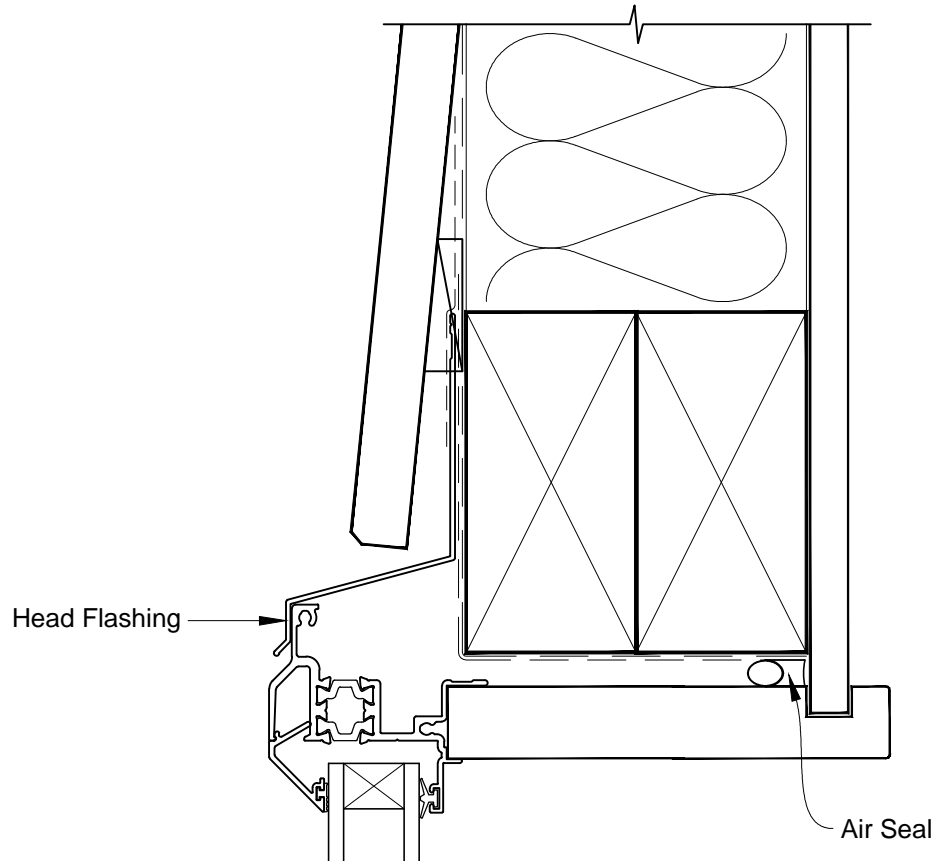


# INSTALLATION DETAIL - ALThERM RESIDENTIAL THERMAL HEART - AWNING WINDOW ON BEVELBACK WEATHERBOARD DIRECT FIXED CLADDING

Date: 01.03.14

Scale: 1:2

CAD Ref.: ATAWBW-DH



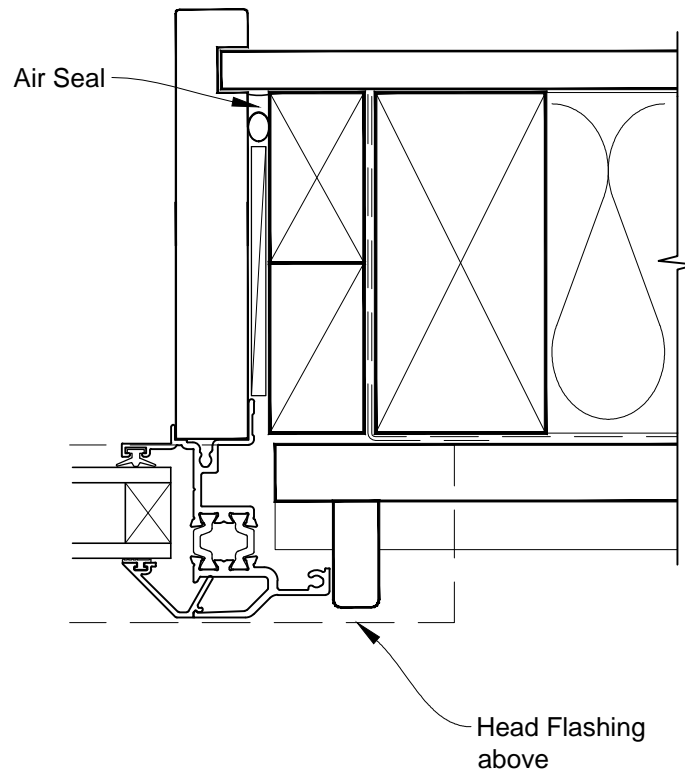


# INSTALLATION DETAIL - ALThERM RESIDENTIAL THERMAL HEART - AWNING WINDOW ON BEVELBACK WEATHERBOARD DIRECT FIXED CLADDING

Date: 01.03.14

Scale: 1:2

CAD Ref.: ATAWBW-DJ



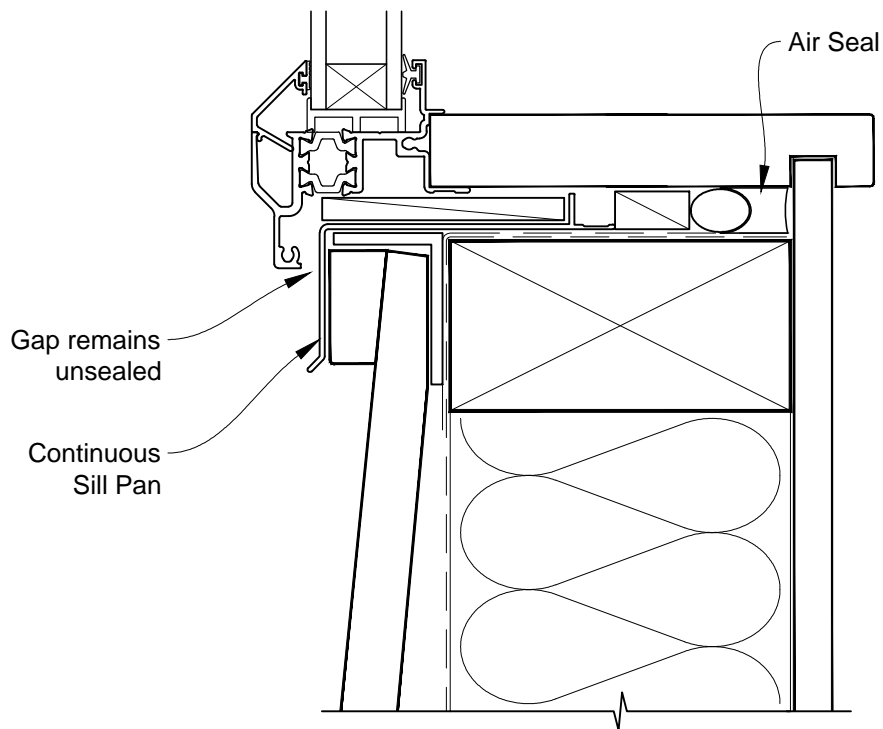


# INSTALLATION DETAIL - ALThERM RESIDENTIAL THERMAL HEART - AWNING WINDOW ON BEVELBACK WEATHERBOARD DIRECT FIXED CLADDING

Date: 01.03.14

Scale: 1:2

CAD Ref.: ATAWBW-DS





**INSTALLATION DETAIL - ALTherm RESIDENTIAL THERMAL HEART - AWNING WINDOW ON BEVELBACK WEATHERBOARD DIRECT FIXED CLADDING**

Date: 01.03.14

Scale: 1:2

CAD Ref.: ATAWBW-DS2

