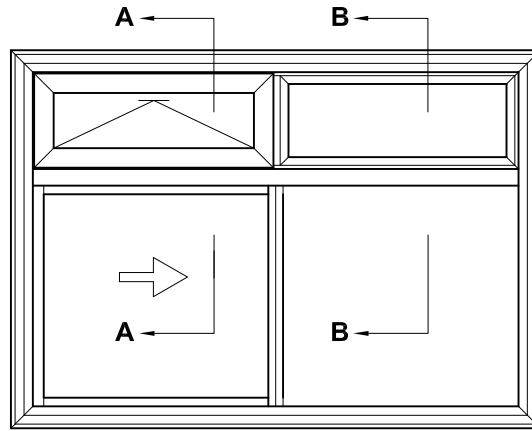


# SLIMLINE SLIDING WINDOW SF WITH OVERLIGHT SASH CROSS SECTION

Cad Ref. ASL03-0

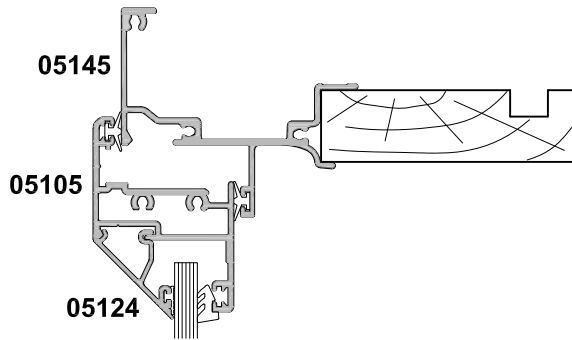
Scale 1:2

Date 01.04.19



SF With Overlight / Ventlight

SECTION A-A



SECTION B-B

