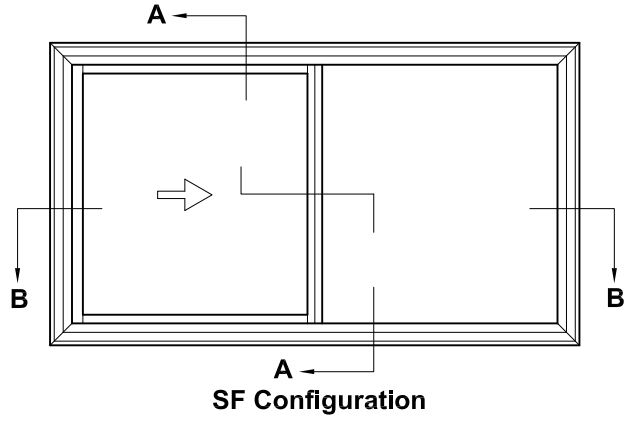
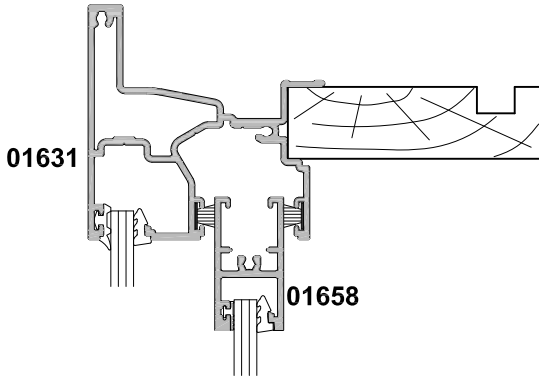


SLIMLINE SLIDING WINDOW SF SINGLE SLIDING PANEL CROSS SECTION

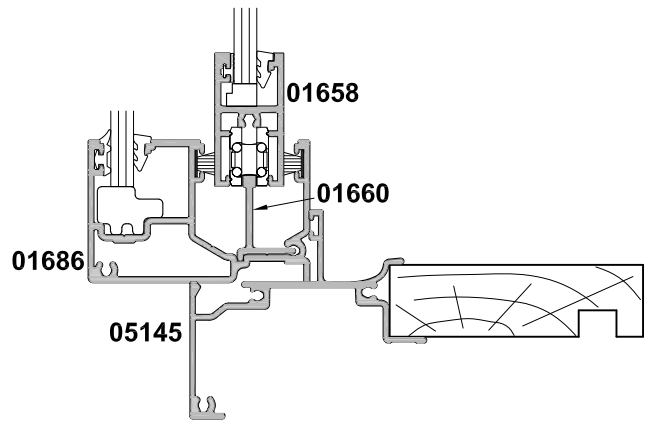
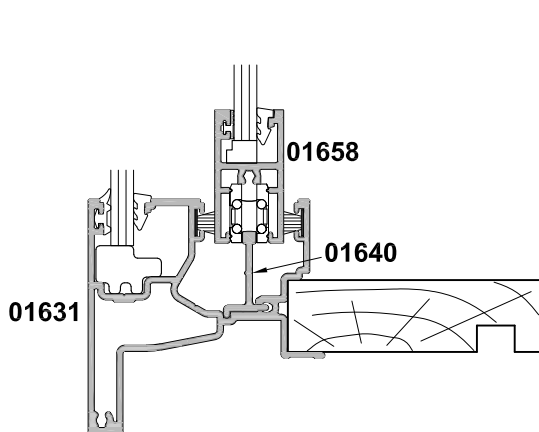
Cad Ref. ASL01-0

Scale 1:2

Date 01.04.19



SECTION A-A



INSERT FRAME OPTION

SECTION B-B

