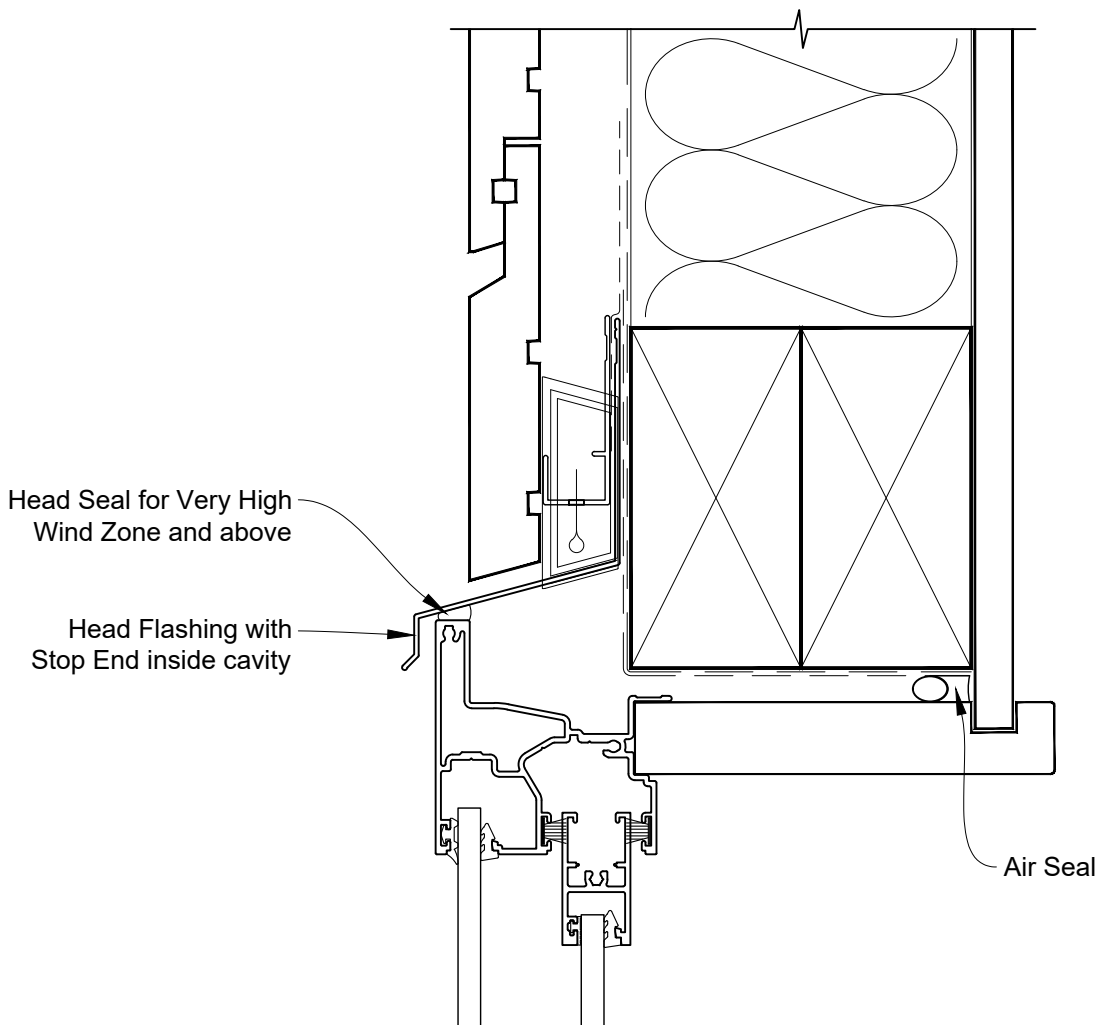


**INSTALLATION DETAIL - ALTHERM RESIDENTIAL  
SLIMLINE SLIDING WINDOW ON RUSTICATED  
WEATHERBOARD - CAVITY CONSTRUCTION**

Date: 01.04.19

Scale: 1:2

CAD Ref.: ARSLRW-CH

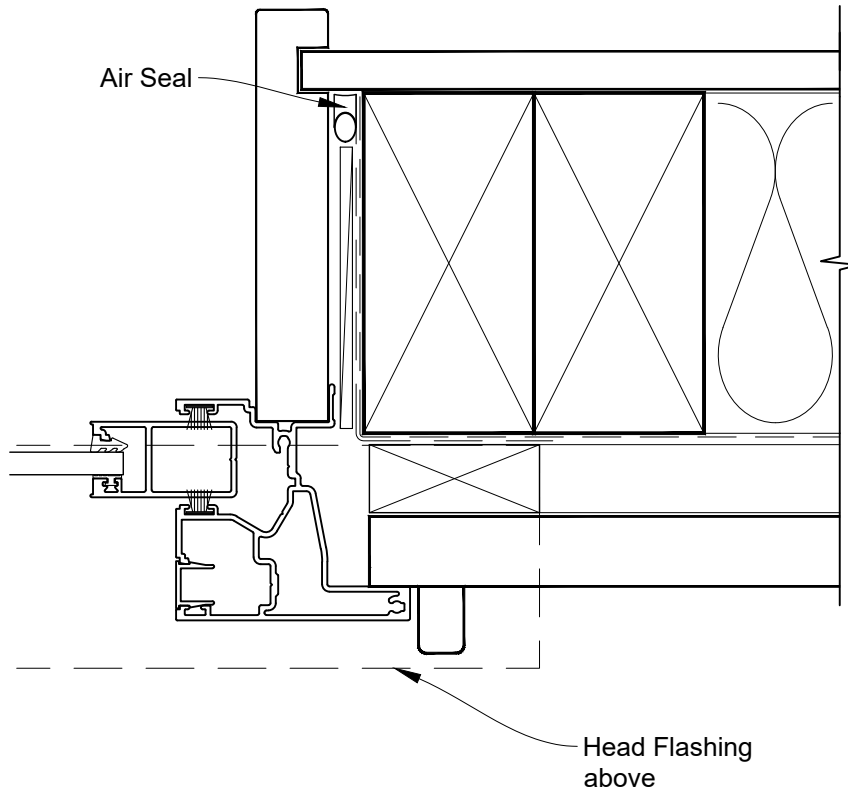


**INSTALLATION DETAIL - ALTHERM RESIDENTIAL  
SLIMLINE SLIDING WINDOW ON RUSTICATED  
WEATHERBOARD - CAVITY CONSTRUCTION**

Date: 01.04.19

Scale: 1:2

CAD Ref.: ARSLRW-CJ



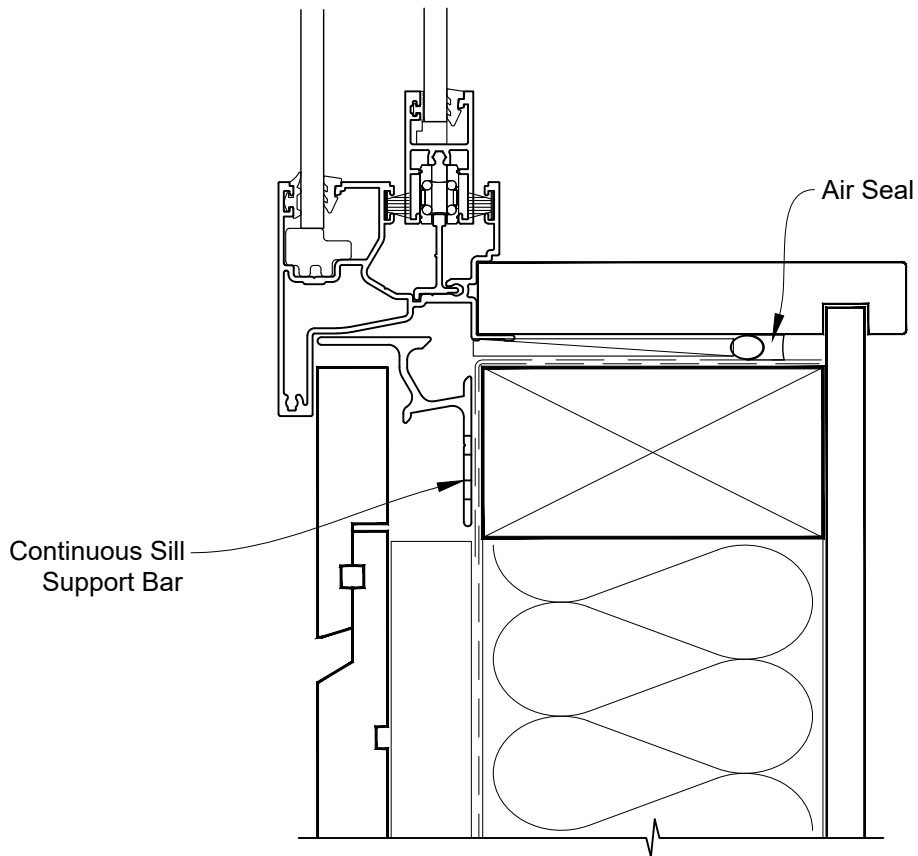


# INSTALLATION DETAIL - ALTherm RESIDENTIAL SLIMLINE SLIDING WINDOW ON RUSTICATED WEATHERBOARD - CAVITY CONSTRUCTION

Date: 01.04.19

Scale: 1:2

CAD Ref.: ARSLRW-CS



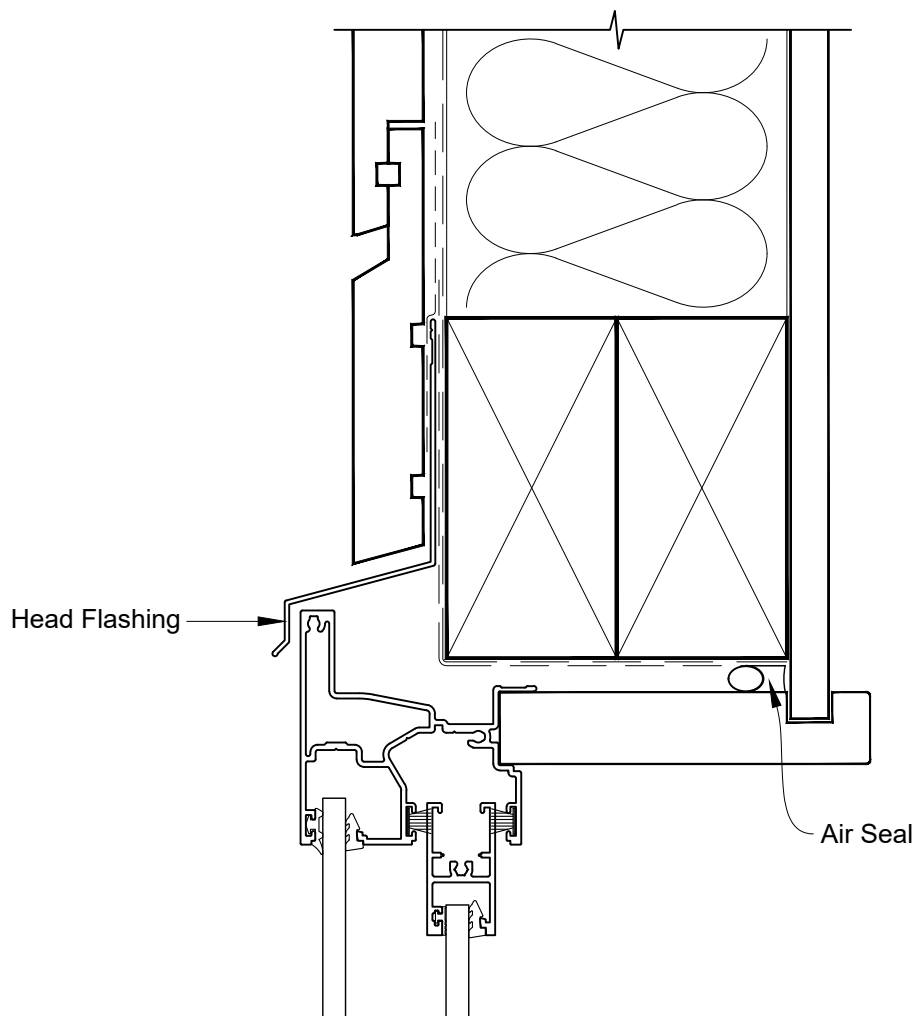


**INSTALLATION DETAIL - ALTherm RESIDENTIAL  
SLIMLINE SLIDING WINDOW ON RUSTICATED  
WEATHERBOARD - DIRECT FIXED CLADDING**

Date: 01.04.19

Scale: 1:2

CAD Ref.: ARSLRW-DH

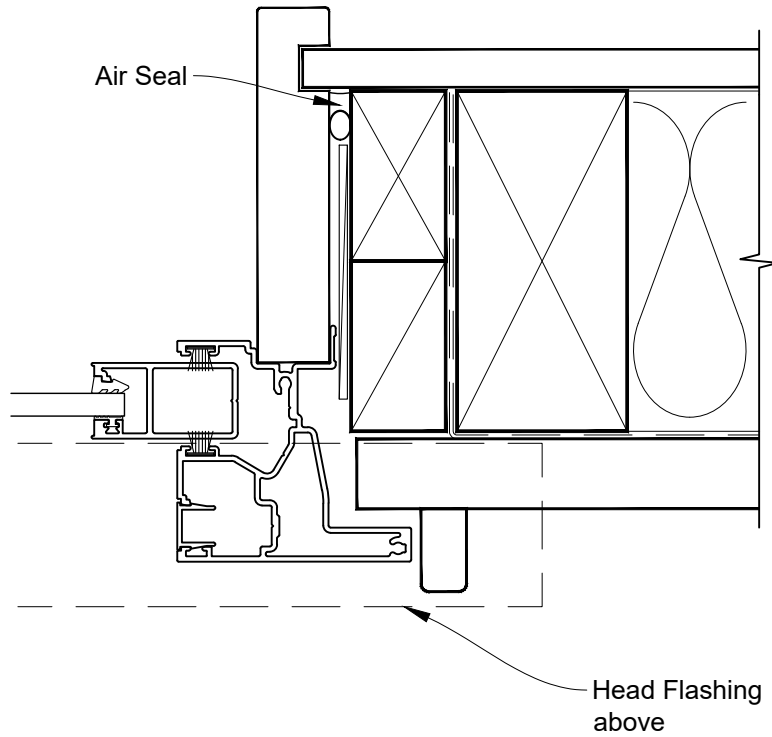


**INSTALLATION DETAIL - ALTHERM RESIDENTIAL  
SLIMLINE SLIDING WINDOW ON RUSTICATED  
WEATHERBOARD - DIRECT FIXED CLADDING**

Date: 01.04.19

Scale: 1:2

CAD Ref.: ARSLRW-DJ



**INSTALLATION DETAIL - ALTHERM RESIDENTIAL  
SLIMLINE SLIDING WINDOW ON RUSTICATED  
WEATHERBOARD - DIRECT FIXED CLADDING**

Date: 01.04.19

Scale: 1:2

CAD Ref.: ARSLRW-DS

