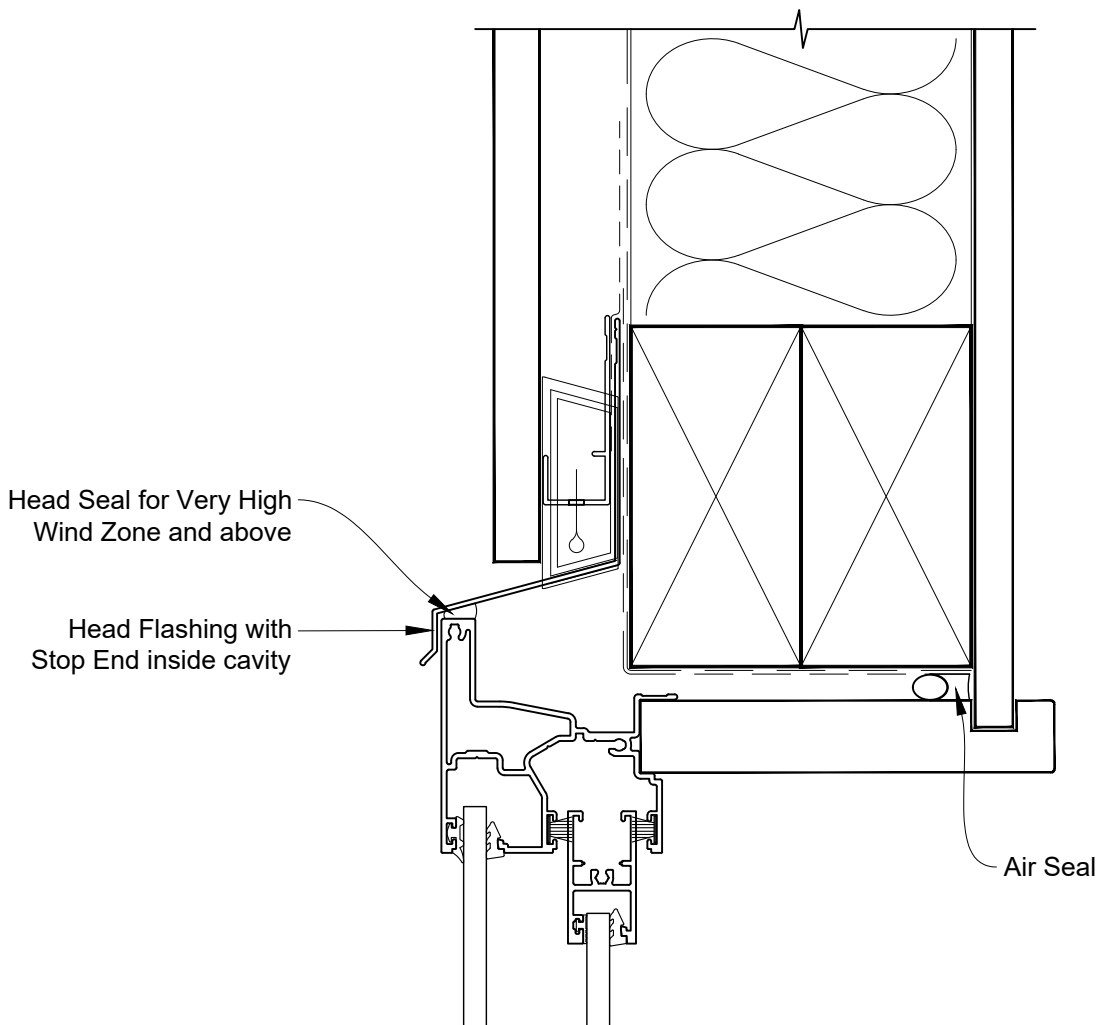


INSTALLATION DETAIL - ALTHERM RESIDENTIAL SLIMLINE SLIDING WINDOW ON FLAT SHEET CAVITY CONSTRUCTION

Date: 01.04.19

Scale: 1:2

CAD Ref.: ARSLFS-CH

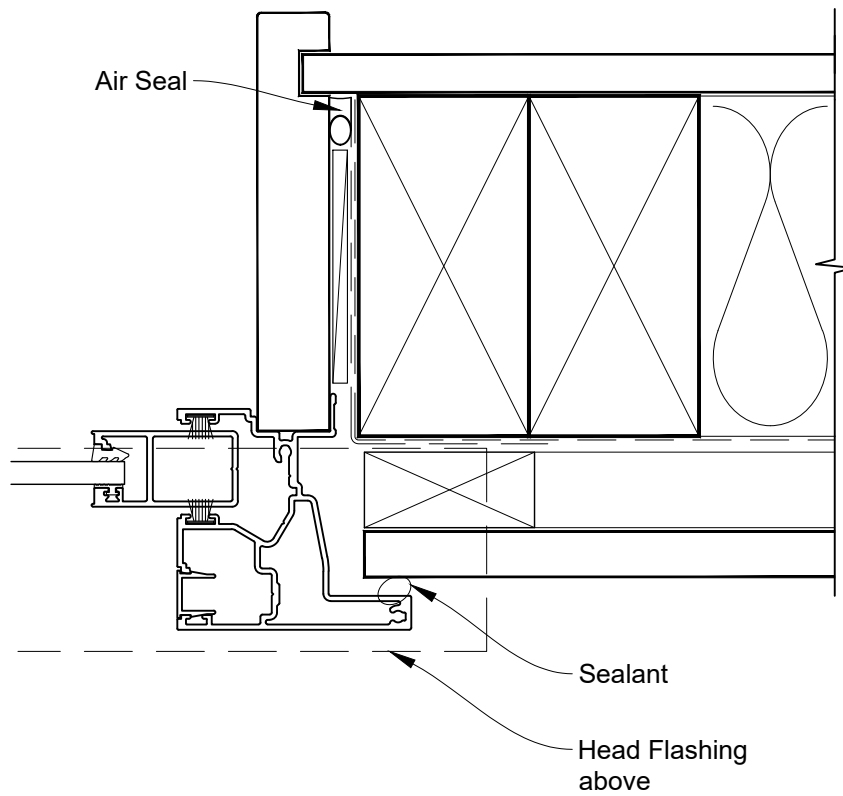


**INSTALLATION DETAIL - ALTHERM RESIDENTIAL
SLIMLINE SLIDING WINDOW ON FLAT SHEET
CAVITY CONSTRUCTION**

Date: 01.04.19

Scale: 1:2

CAD Ref.: ARSLFS-CJ

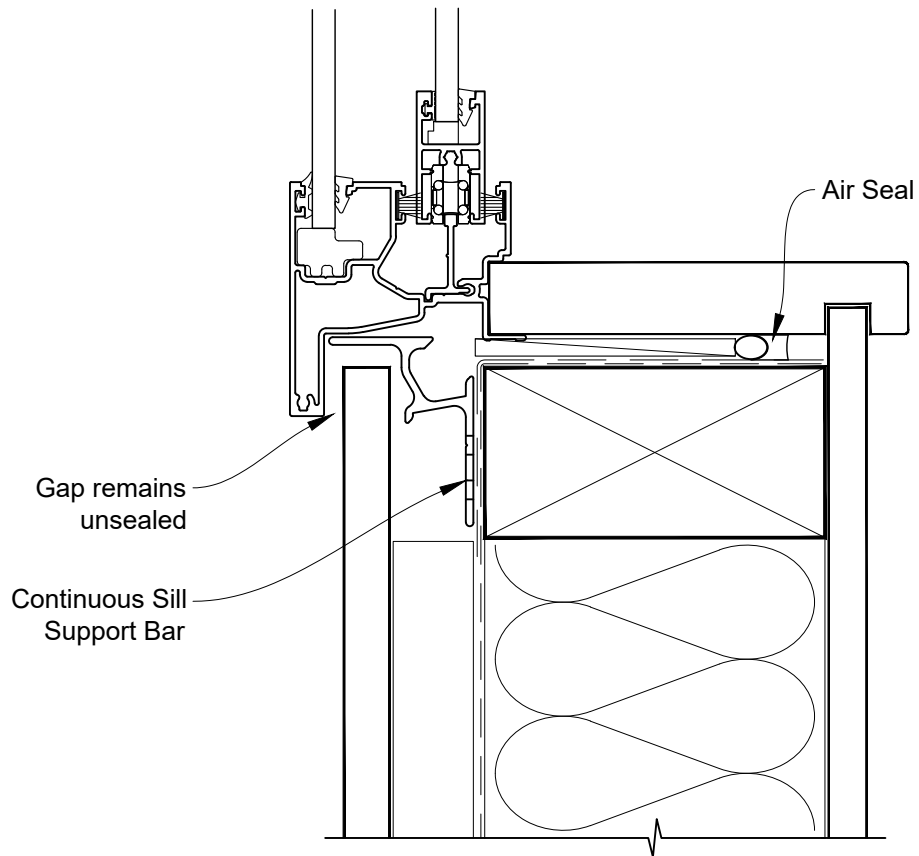


INSTALLATION DETAIL - ALTHERM RESIDENTIAL SLIMLINE SLIDING WINDOW ON FLAT SHEET CAVITY CONSTRUCTION

Date: 01.04.19

Scale: 1:2

CAD Ref.: ARSLFS-CS

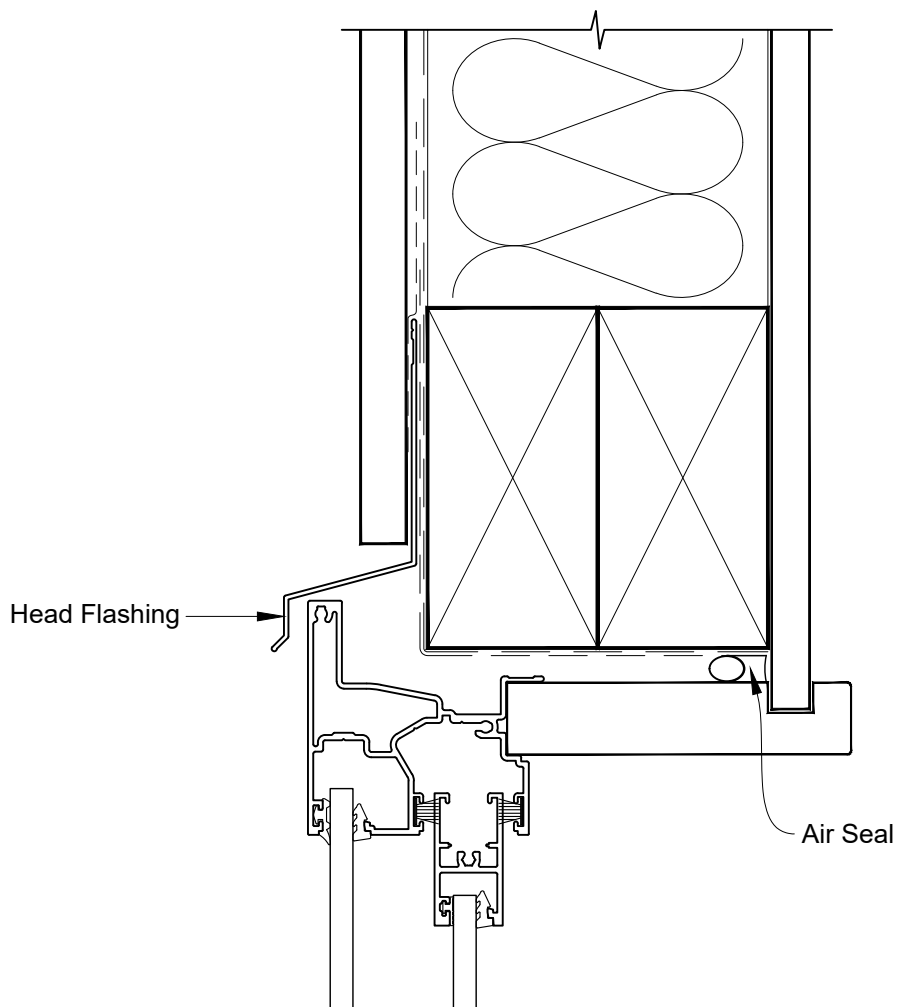


**INSTALLATION DETAIL - ALTHERM RESIDENTIAL
SLIMLINE SLIDING WINDOW ON FLAT SHEET
DIRECT FIXED CLADDING**

Date: 01.04.19

Scale: 1:2

CAD Ref.: ARSLFS-DH

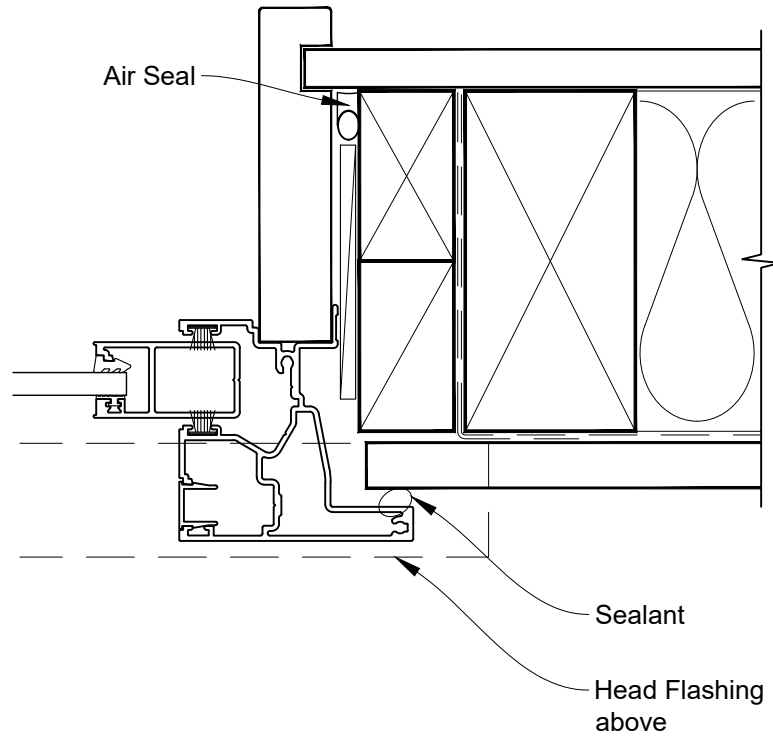


**INSTALLATION DETAIL - ALTHERM RESIDENTIAL
SLIMLINE SLIDING WINDOW ON FLAT SHEET
DIRECT FIXED CLADDING**

Date: 01.04.19

Scale: 1:2

CAD Ref.: ARSLFS-DJ



**INSTALLATION DETAIL - ALTherm RESIDENTIAL
SLIMLINE SLIDING WINDOW ON FLAT SHEET
DIRECT FIXED CLADDING**

Date: 01.04.19

Scale: 1:2

CAD Ref.: ARSLFS-DS

