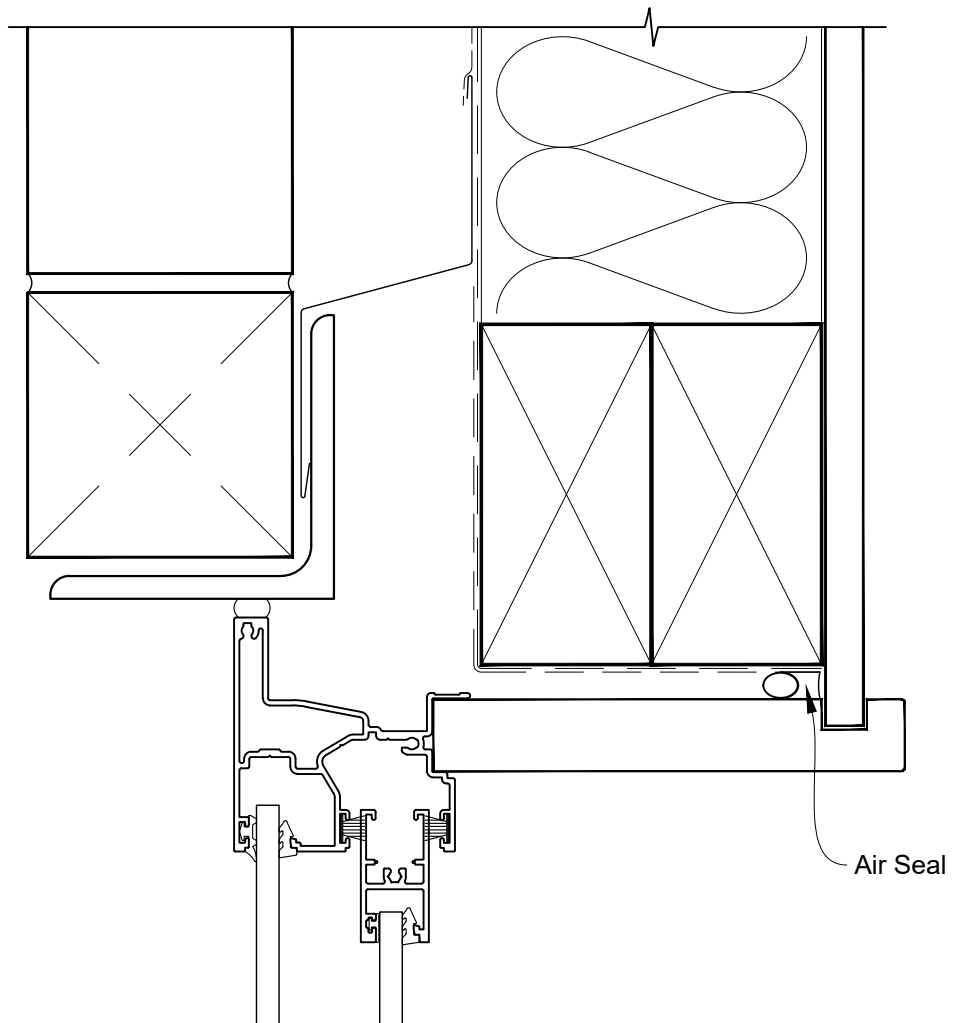


**INSTALLATION DETAIL - ALTHERM RESIDENTIAL
SLIMLINE SLIDING WINDOW ON BRICK VENEER
CAVITY CONSTRUCTION**

Date: 01.04.19

Scale: 1:2

CAD Ref.: ARSLBV-CH

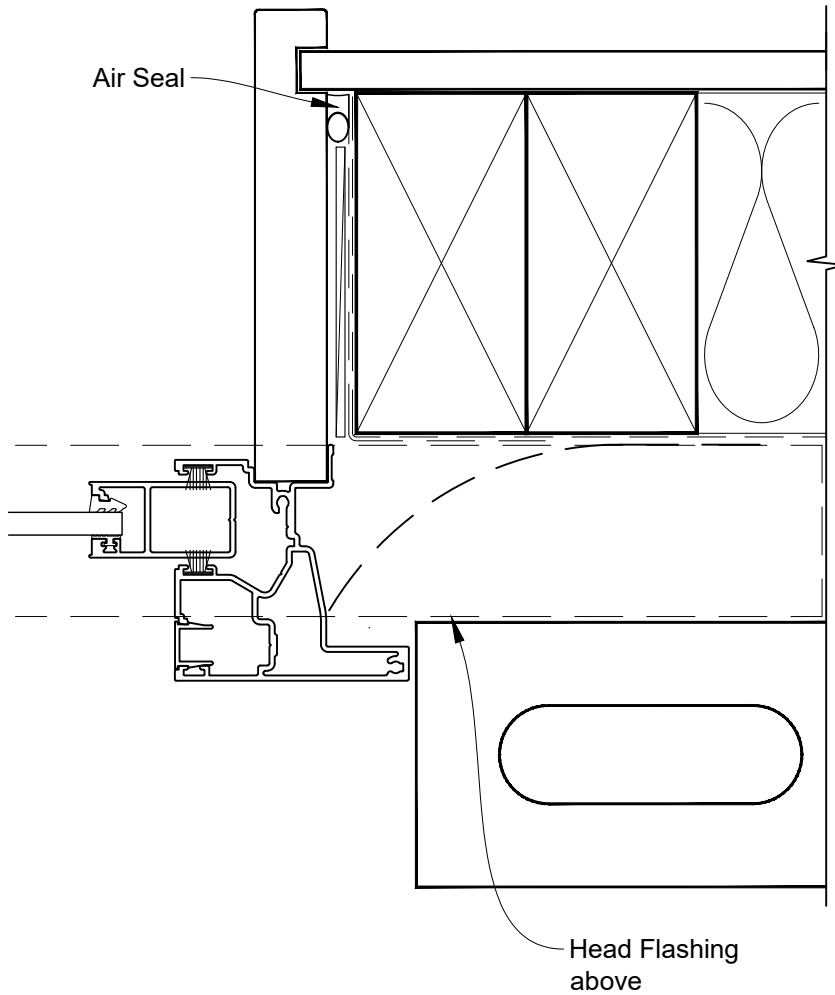


**INSTALLATION DETAIL - ALTHERM RESIDENTIAL
SLIMLINE SLIDING WINDOW ON BRICK VENEER
CAVITY CONSTRUCTION**

Date: 01.04.19

Scale: 1:2

CAD Ref.: ARSLBV-CJ

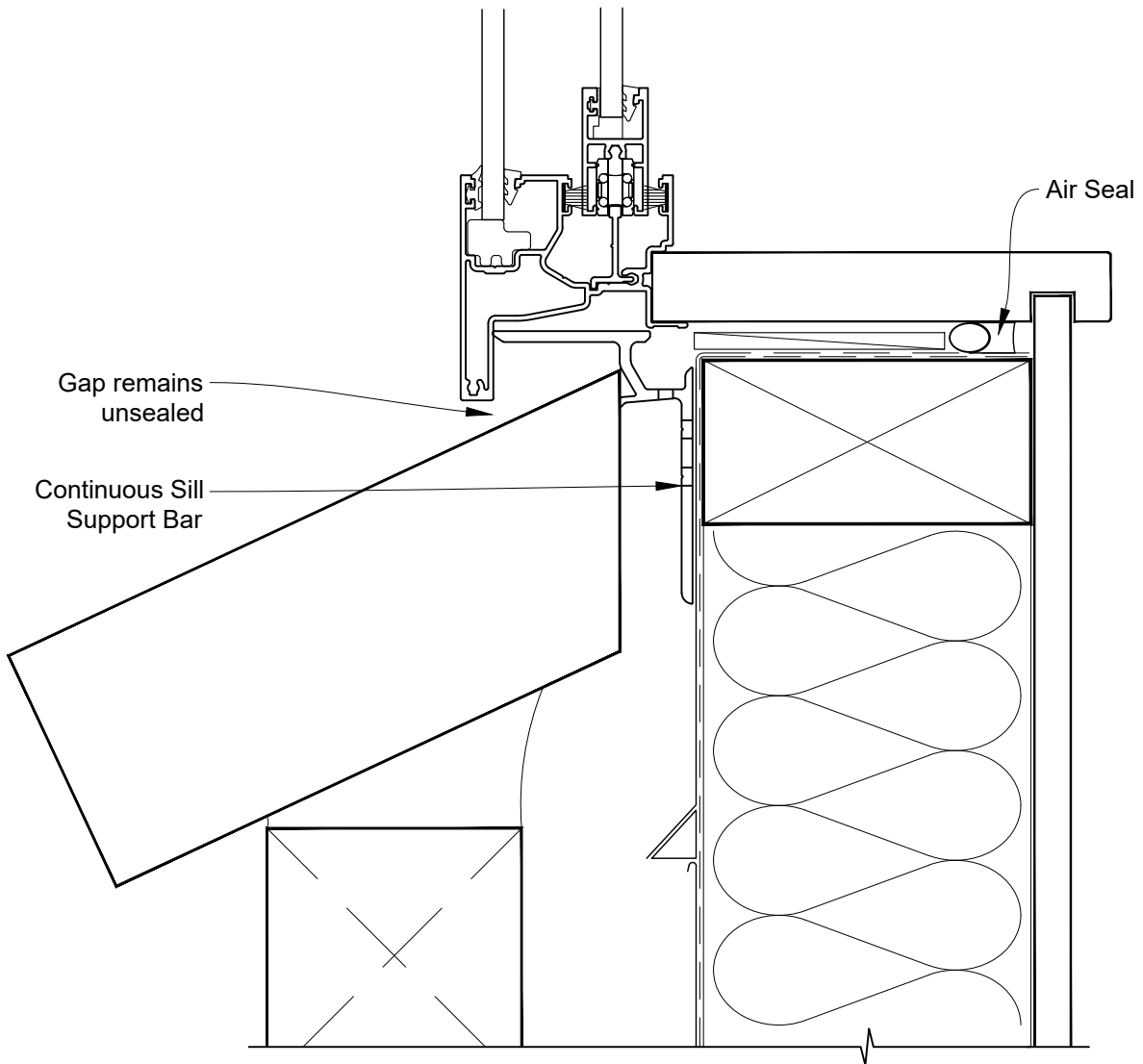


INSTALLATION DETAIL - ALTHERM RESIDENTIAL SLIMLINE SLIDING WINDOW ON BRICK VENEER CAVITY CONSTRUCTION

Date: 01.04.19

Scale: 1:2

CAD Ref.: ARSLBV-CS



**INSTALLATION DETAIL - ALTHERM RESIDENTIAL
SLIMLINE SLIDING WINDOW ON BRICK VENEER
CAVITY CONSTRUCTION**

Date: 01.04.19

Scale: 1:2

CAD Ref.: ARSLBV-CS2

