

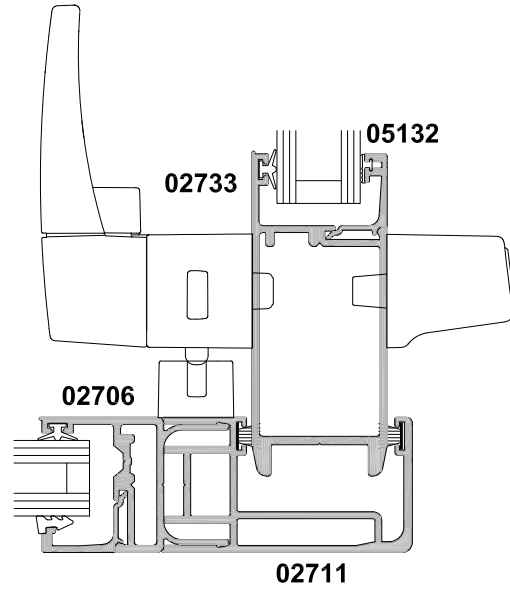
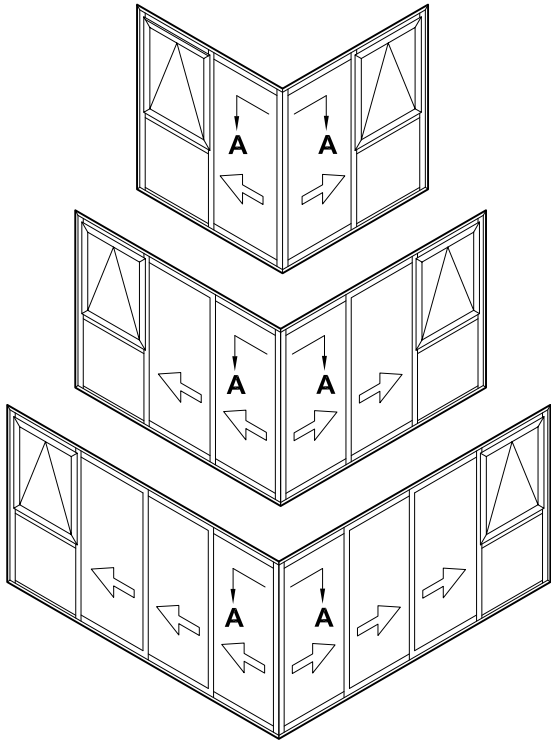
# SLIDING DOOR, 90° CORNERS

## CROSS SECTION

Cad Ref. ASD11-0

Scale 1:2

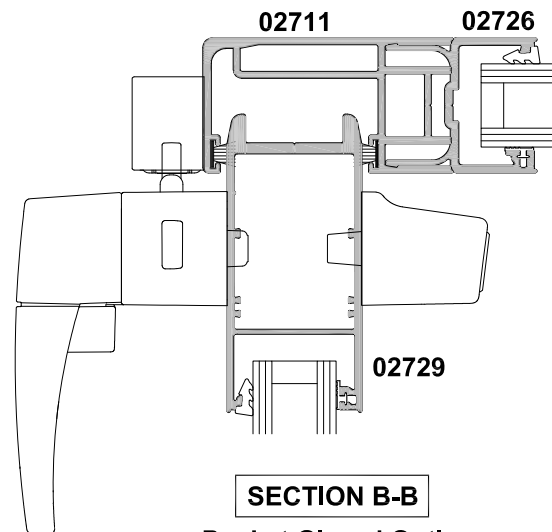
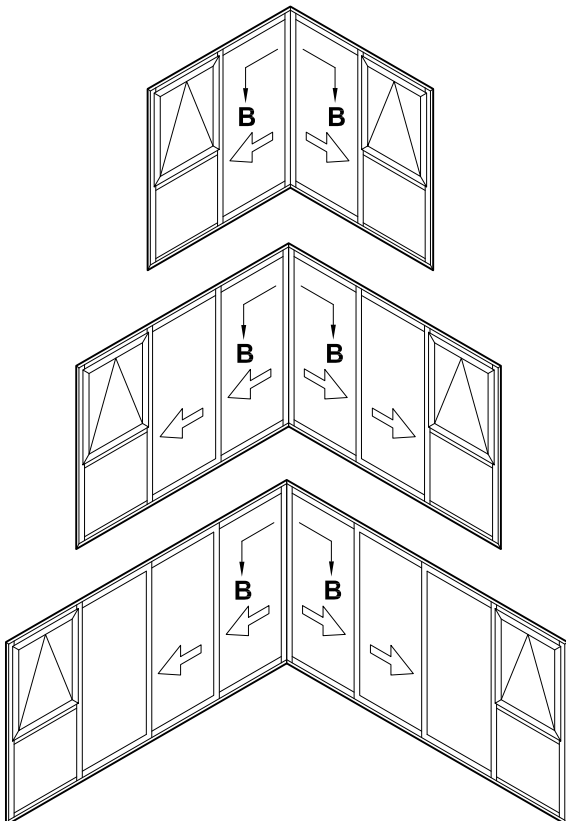
Date 01.04.19



**SECTION A-A**

**Beaded Stile Option**

**EXTERNAL CORNER**



**SECTION B-B**

**Pocket Glazed Option**

**INTERNAL CORNER**