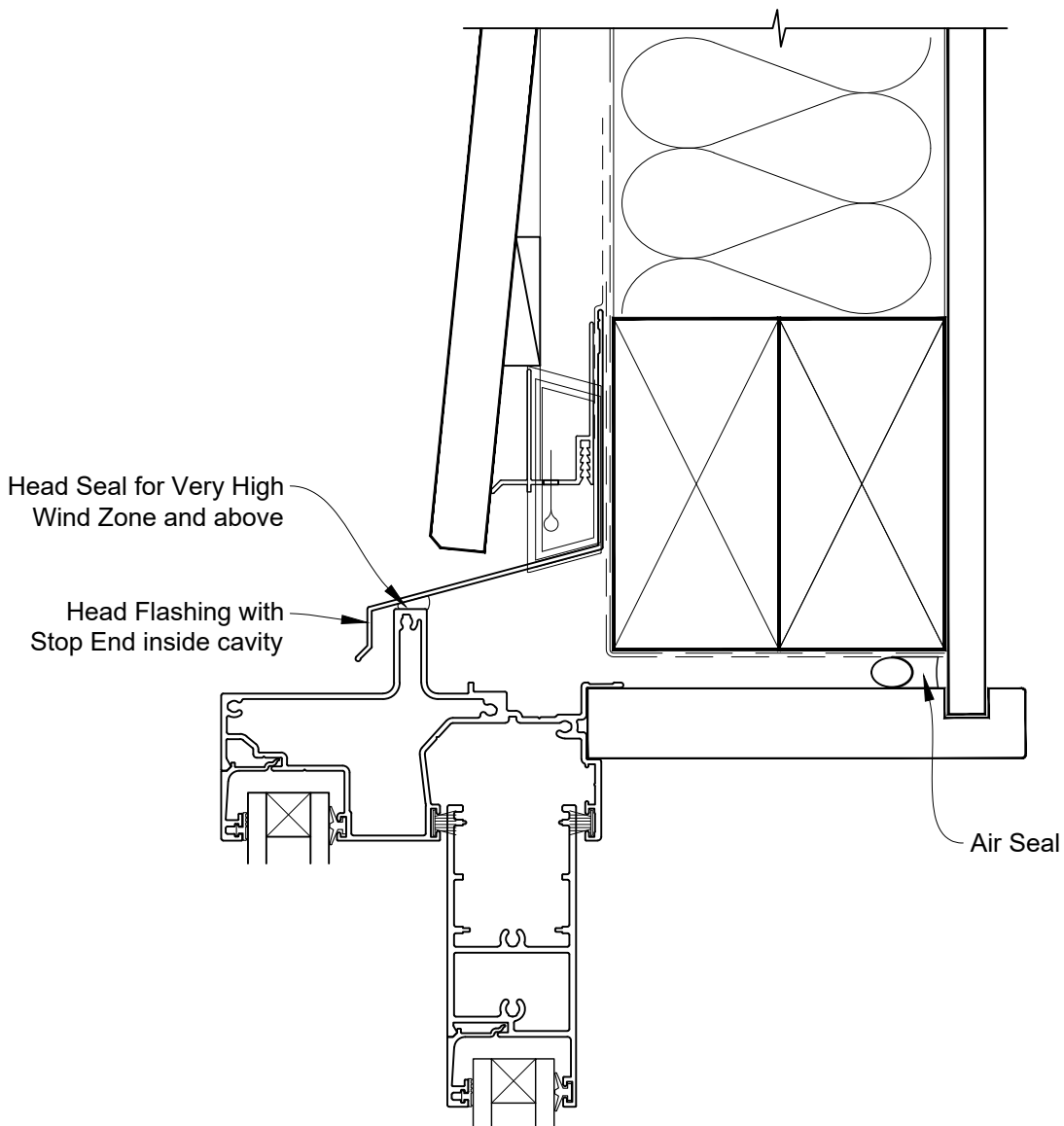


STEPPED SLIDING DOOR FRAME OPTION



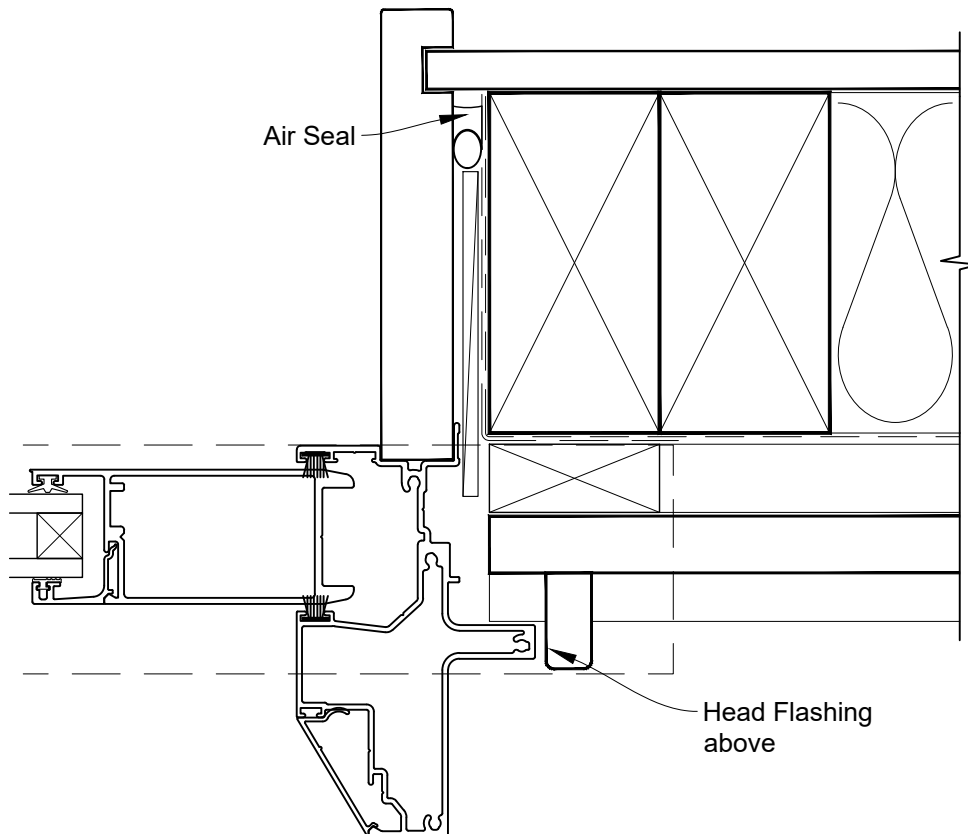
**INSTALLATION DETAIL - ALTHERM RESIDENTIAL
SLIDING DOOR ON BEVELBACK WEATHERBOARD
CAVITY CONSTRUCTION**

Date: 01.04.19

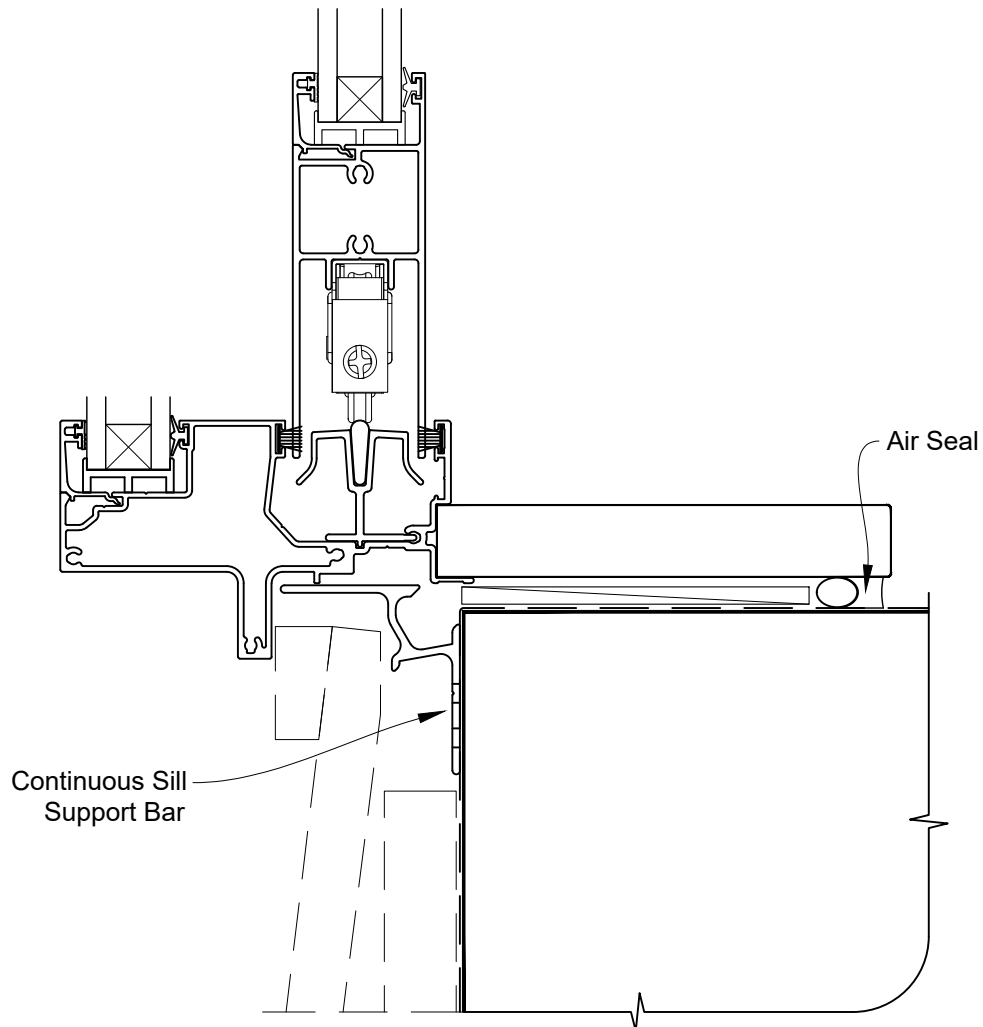
Scale: 1:2

CAD Ref.: ARSDBW-CSJ

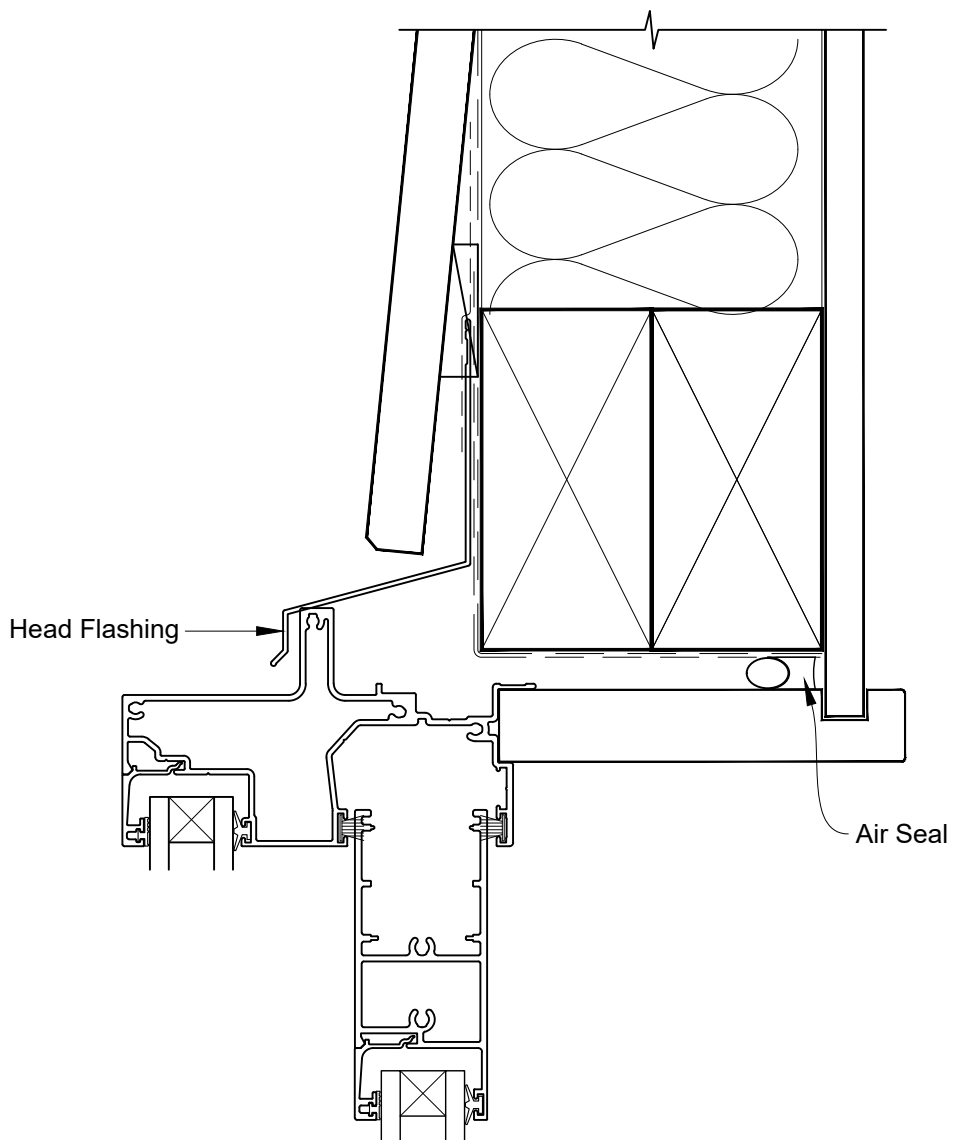
STEPPED SLIDING DOOR FRAME OPTION



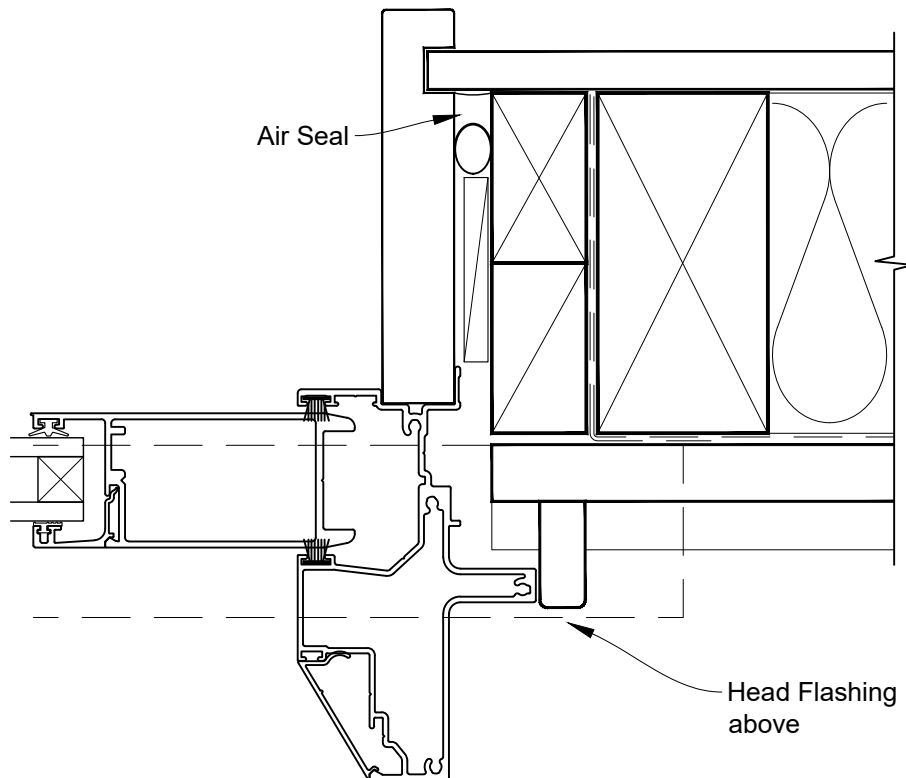
STEPPED SLIDING DOOR FRAME OPTION



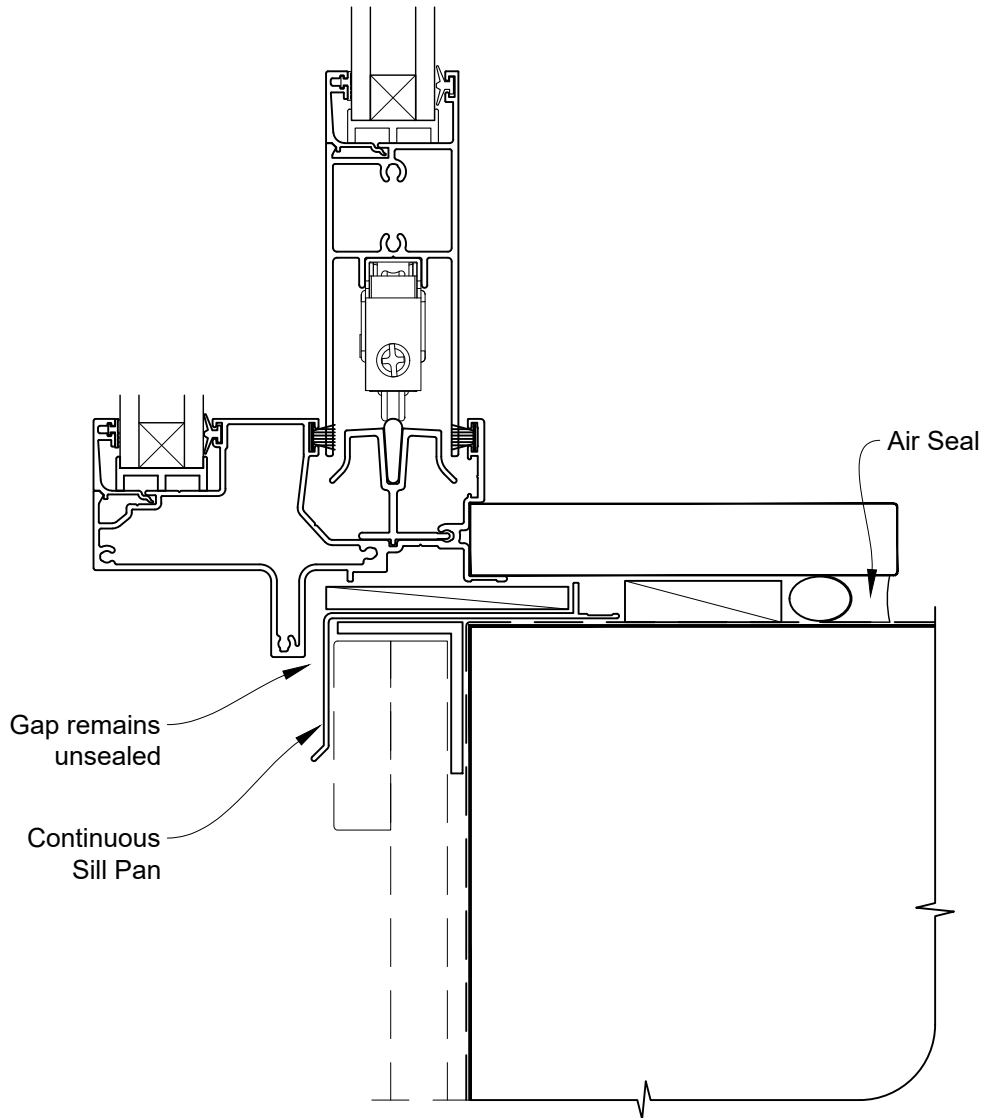
STEPPED SLIDING DOOR FRAME OPTION



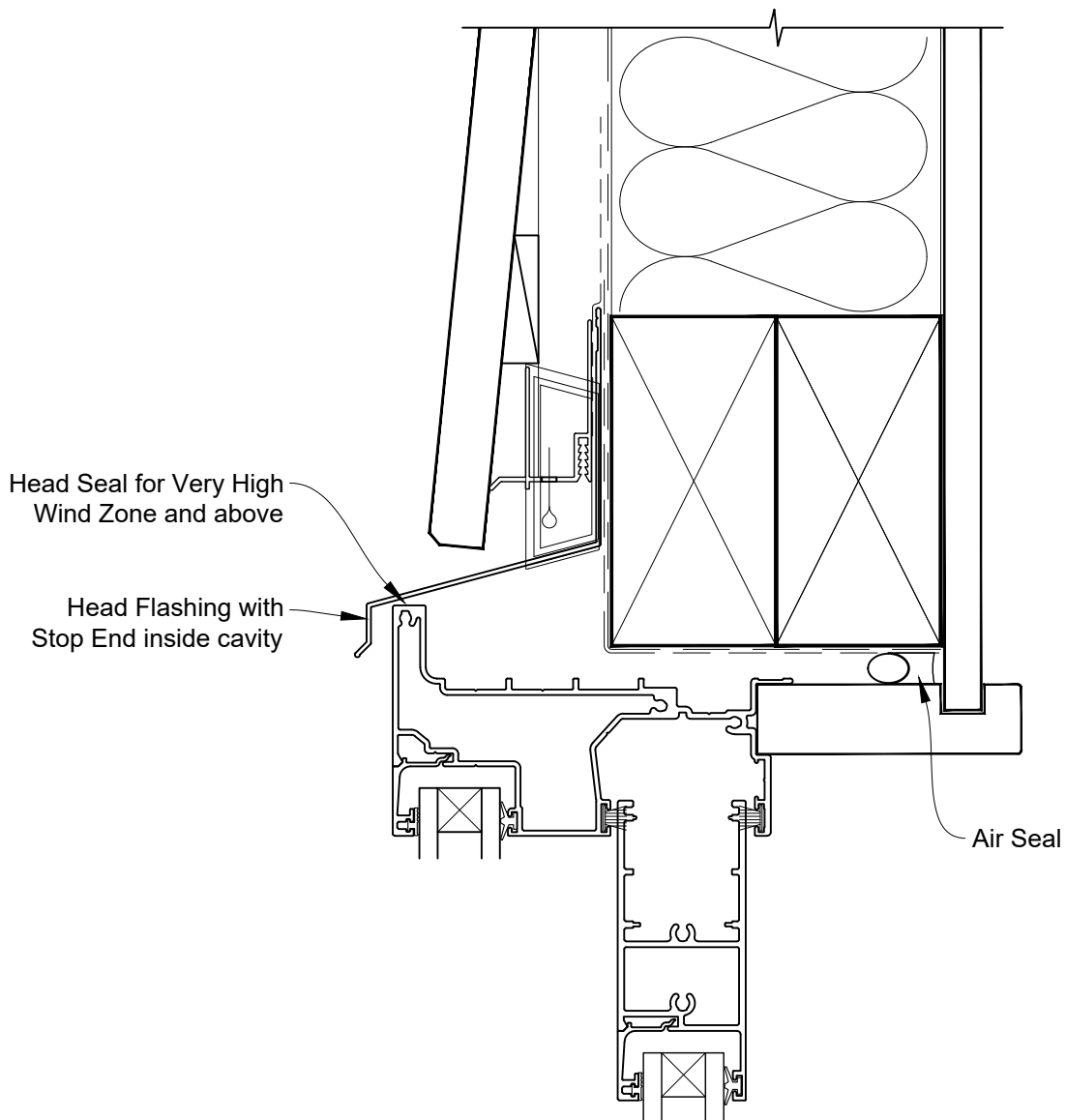
STEPPED SLIDING DOOR FRAME OPTION



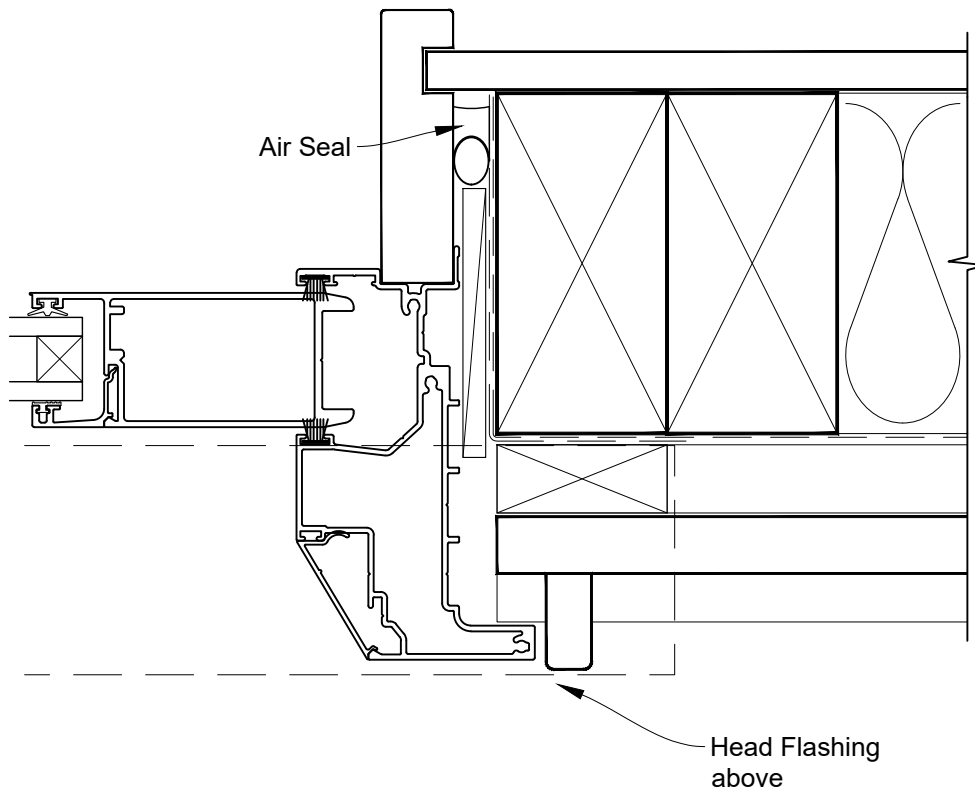
STEPPED SLIDING DOOR FRAME OPTION



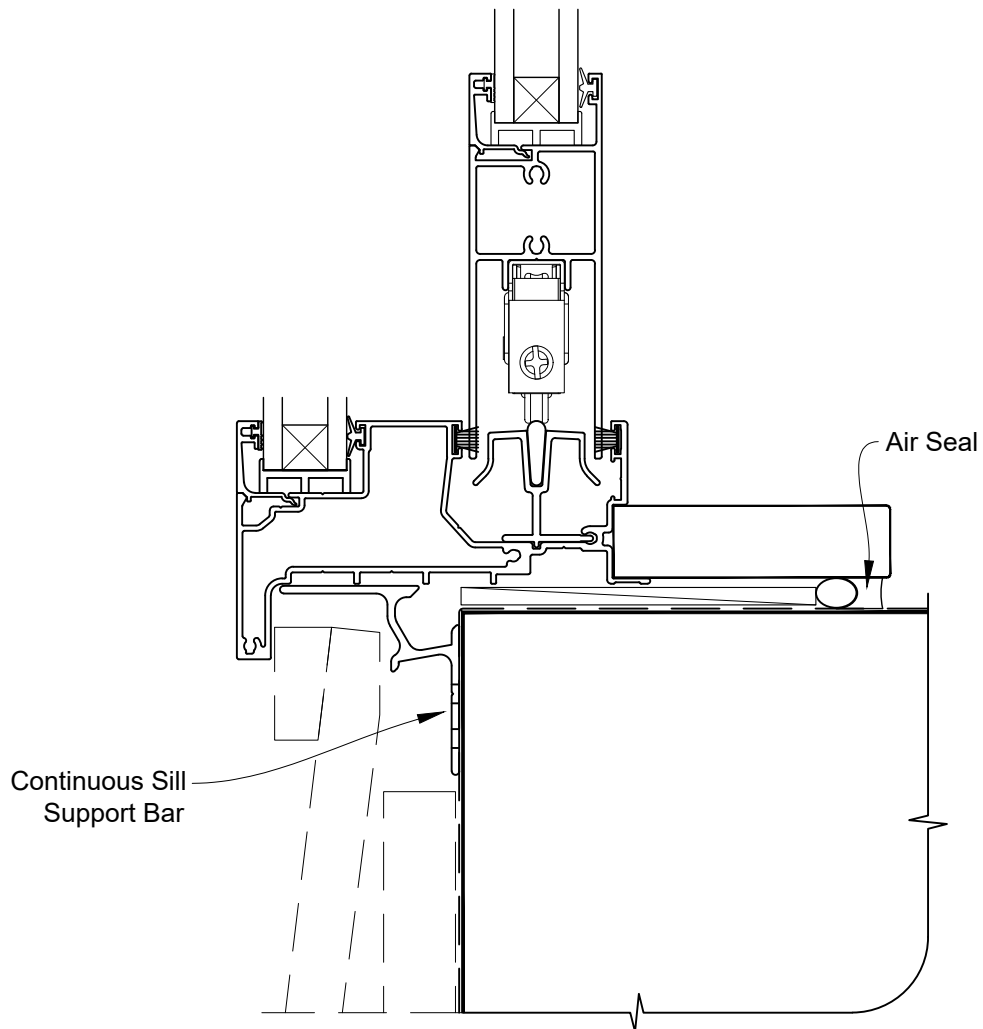
FLAT SLIDING DOOR FRAME OPTION



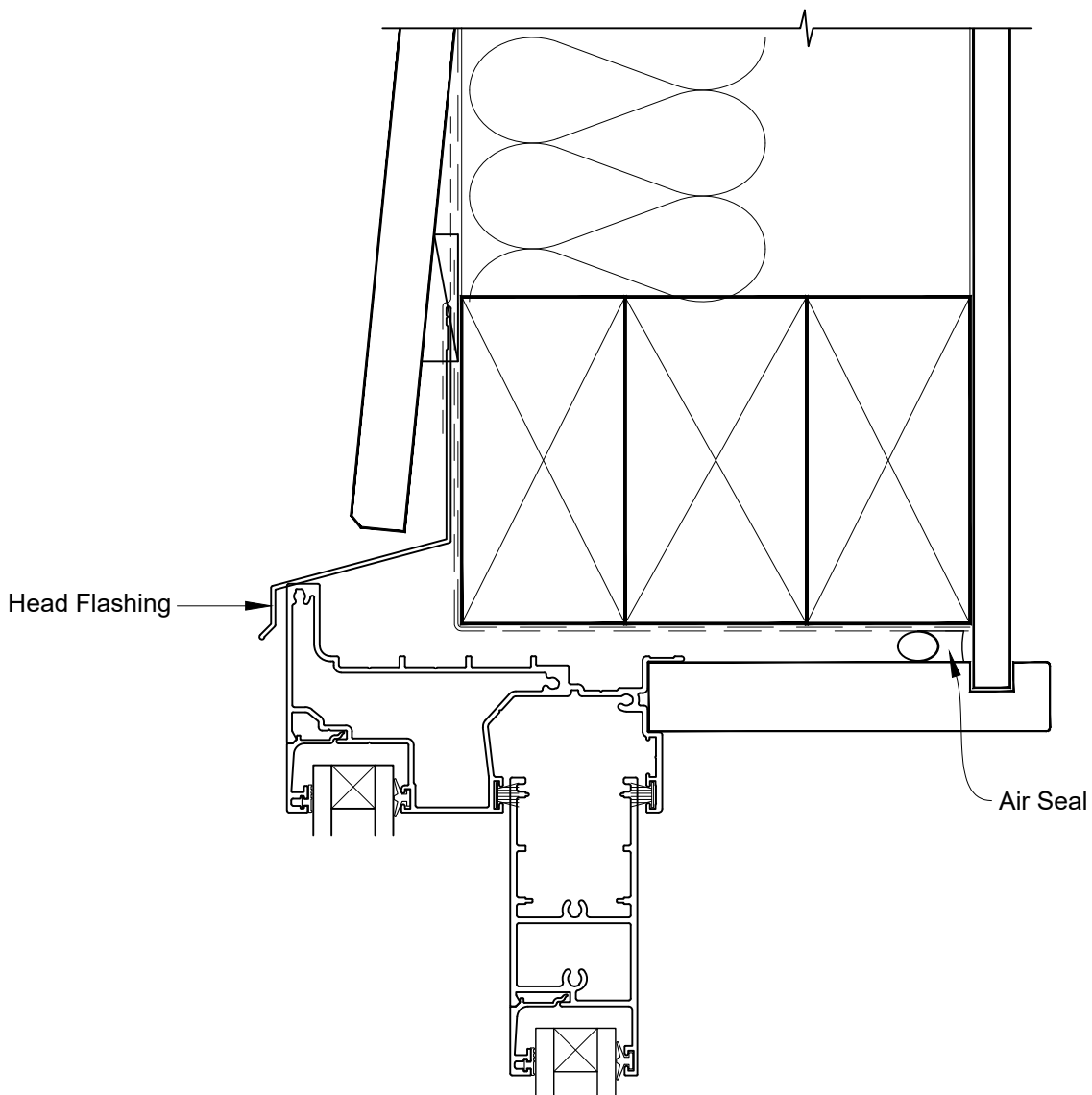
FLAT SLIDING DOOR FRAME OPTION



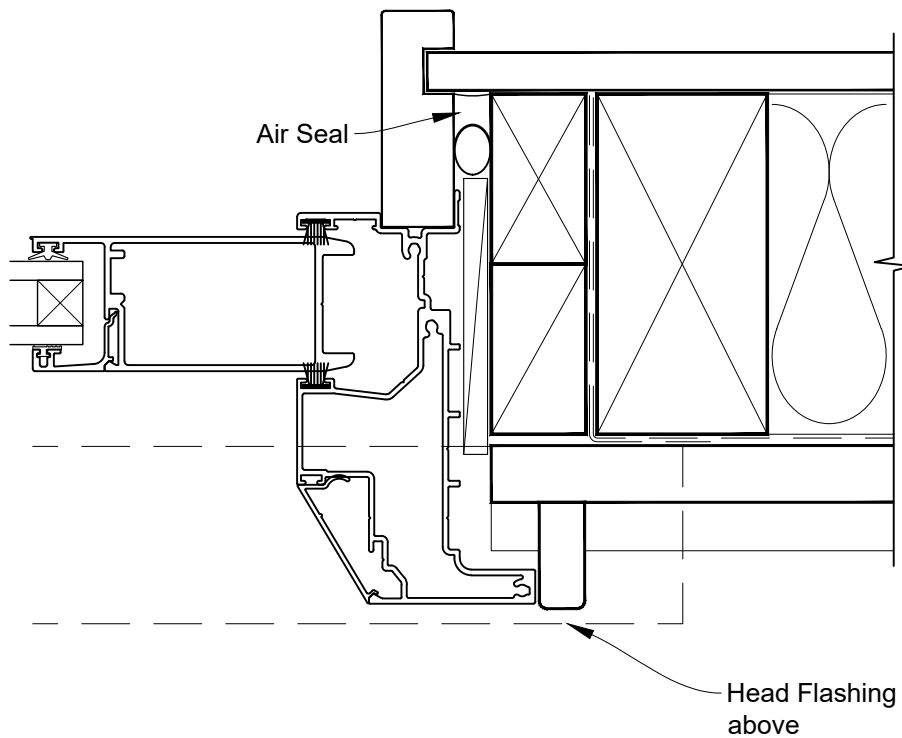
FLAT SLIDING DOOR FRAME OPTION



FLAT SLIDING DOOR FRAME OPTION



FLAT SLIDING DOOR FRAME OPTION



FLAT SLIDING DOOR FRAME OPTION

