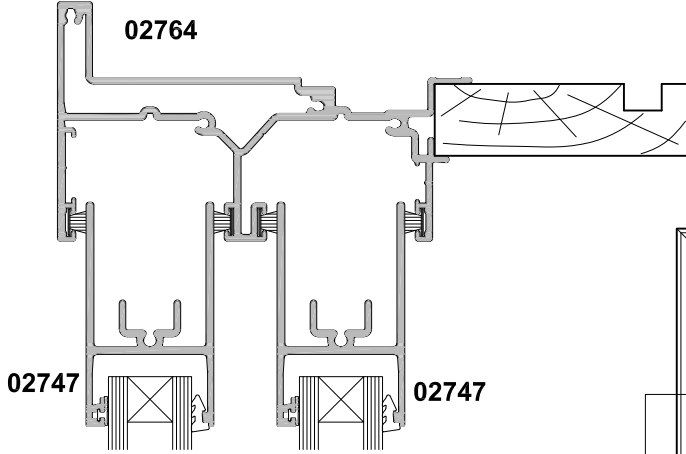
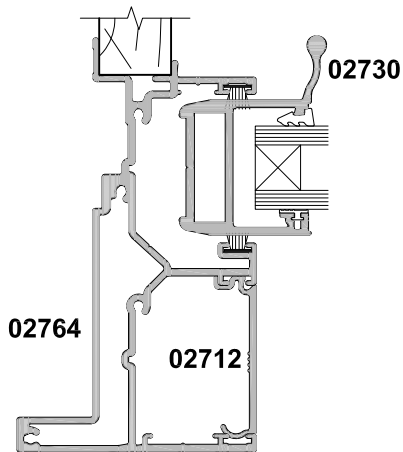
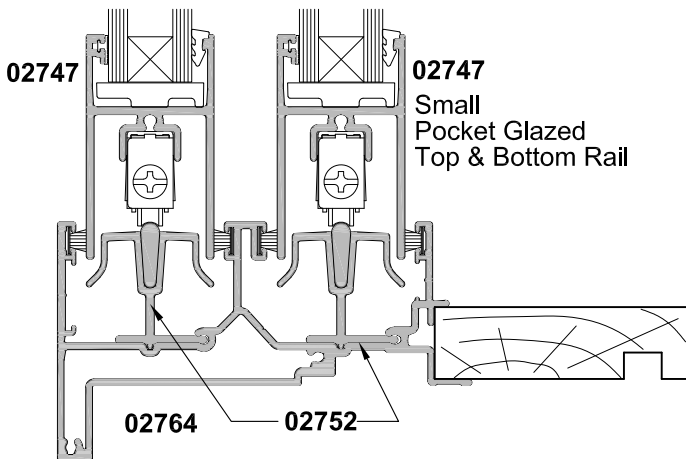
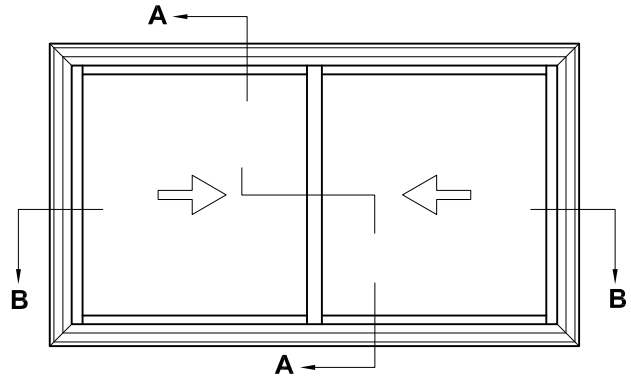


SLIDEMASTER SLIDING WINDOW SS BYPASS SLIDER CROSS SECTION

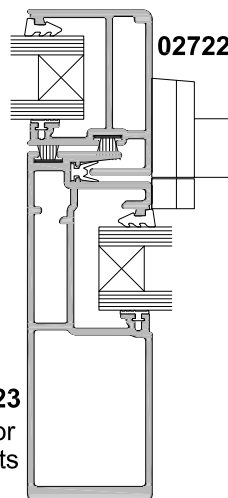
Cad Ref. ASW02-0 Scale 1:2 Date 01.04.19



SECTION A-A



SECTION B-B



Refer to tables for
span requirements

