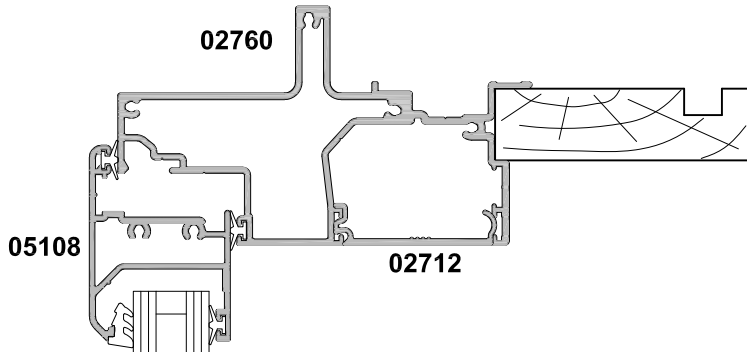
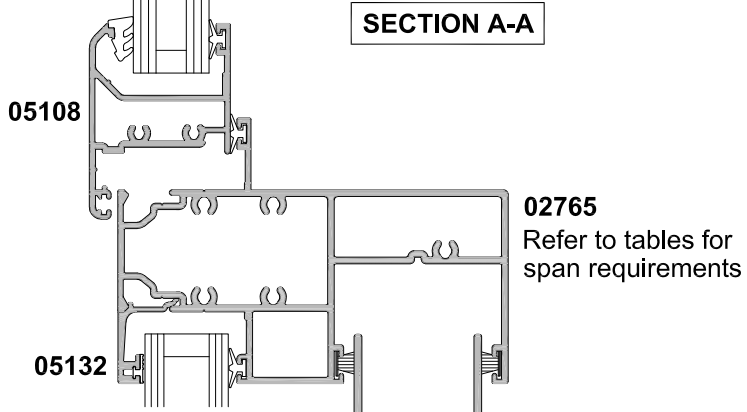


SLIDEMASTER SLIDING WINDOW SF DOUBLE GLAZED WITH OVERLIGHT CROSS SECTION

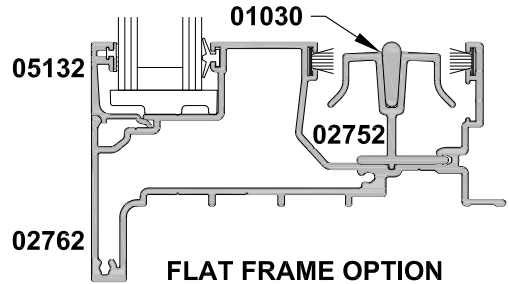
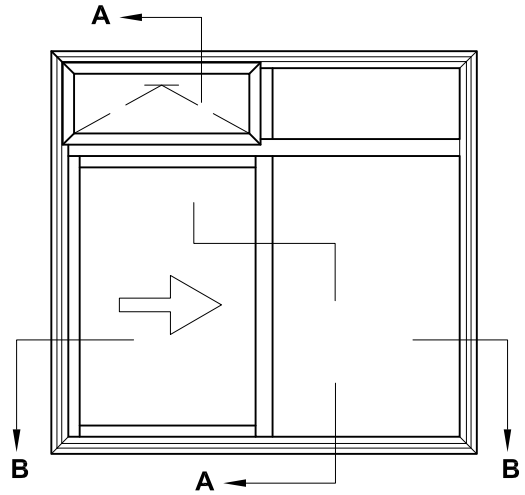
Cad Ref. ASW01-0 Scale 1:2 Date 01.04.19



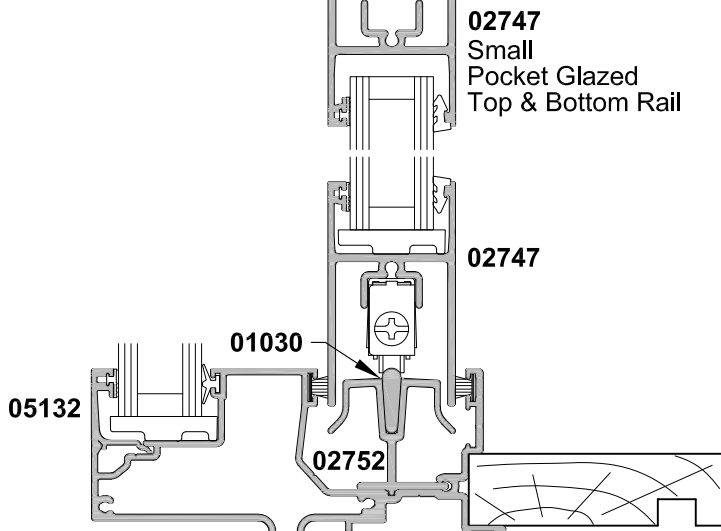
SECTION A-A



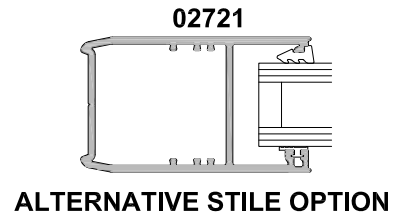
02765
Refer to tables for span requirements



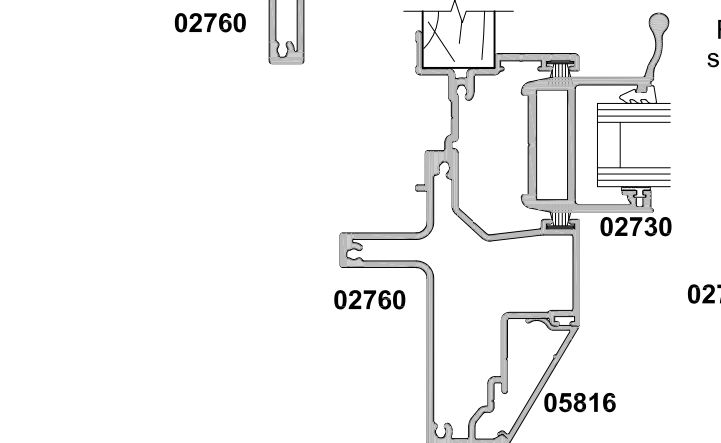
FLAT FRAME OPTION



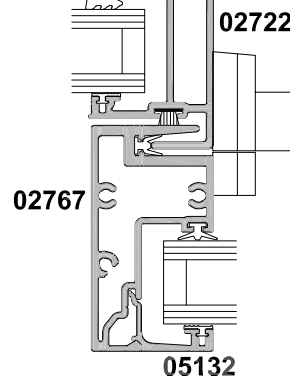
02747
Small
Pocket Glazed
Top & Bottom Rail



ALTERNATIVE STILE OPTION



Refer to tables for span requirements



SECTION B-B

