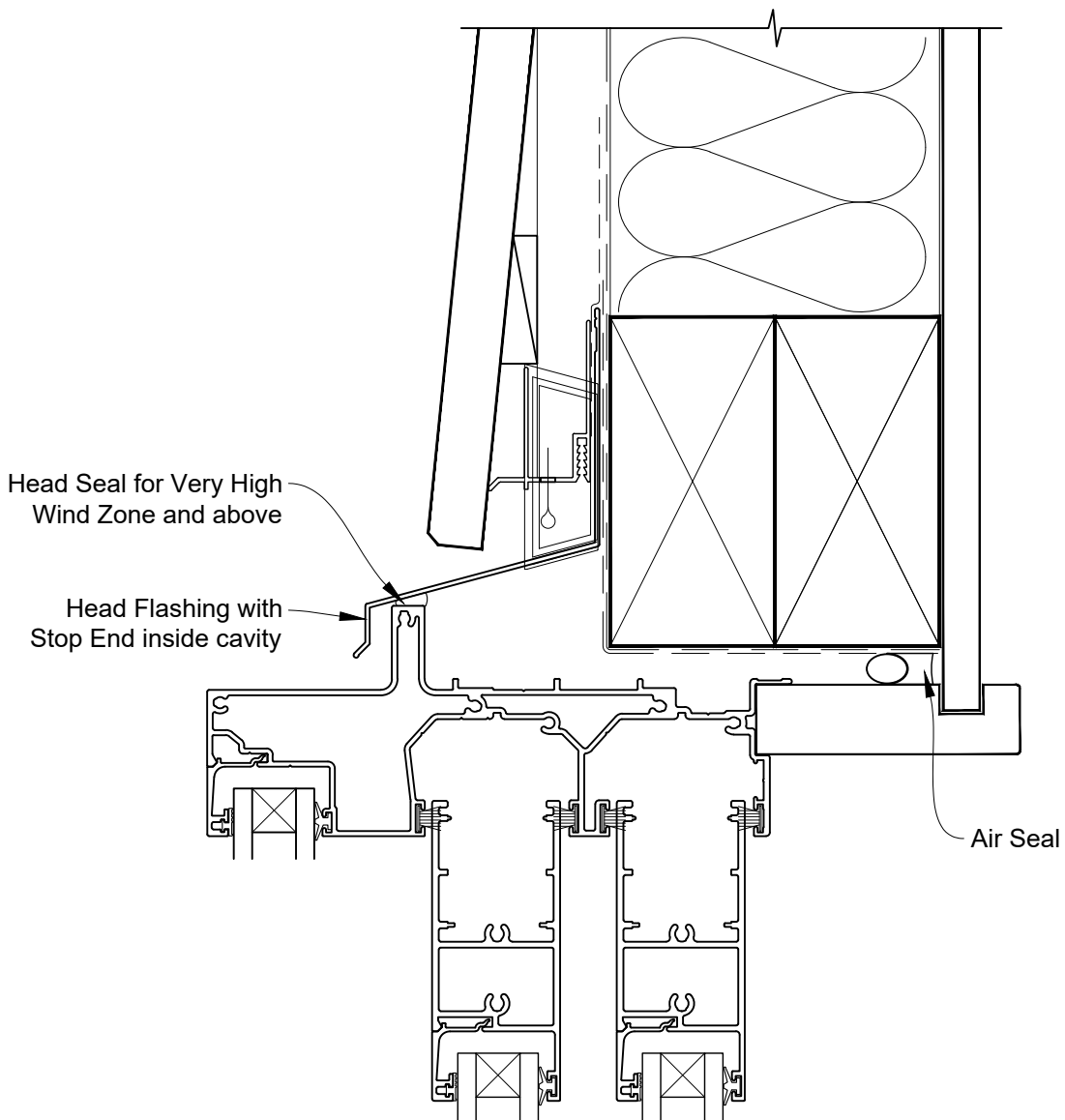
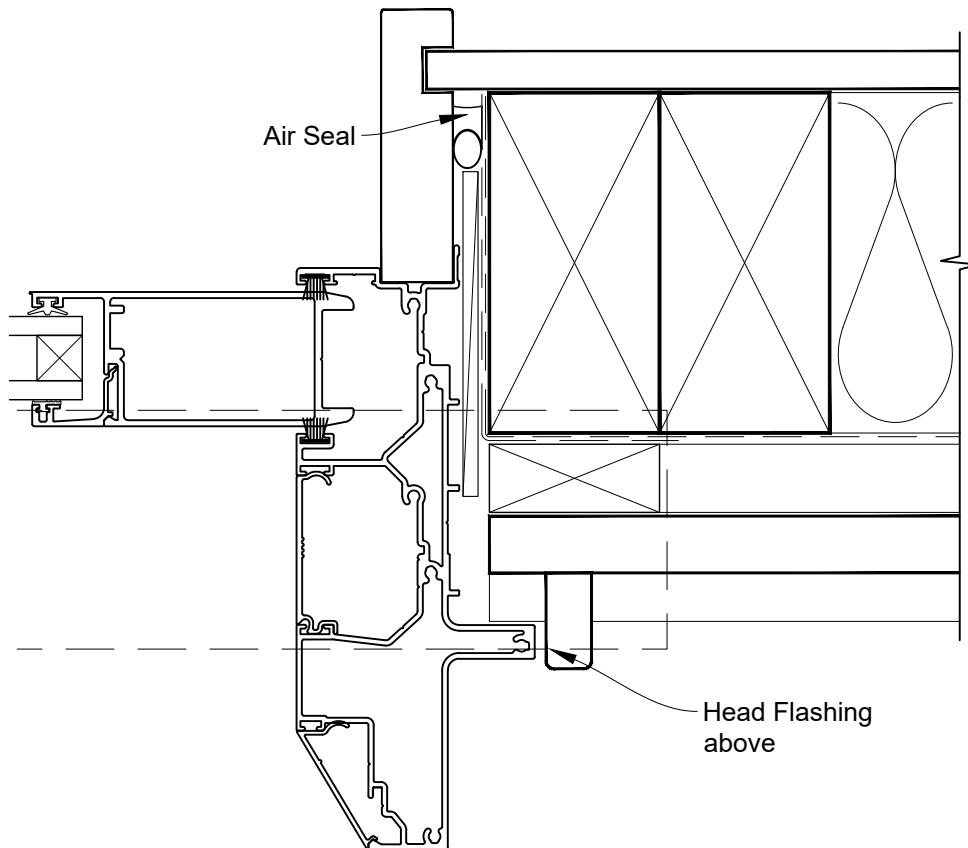


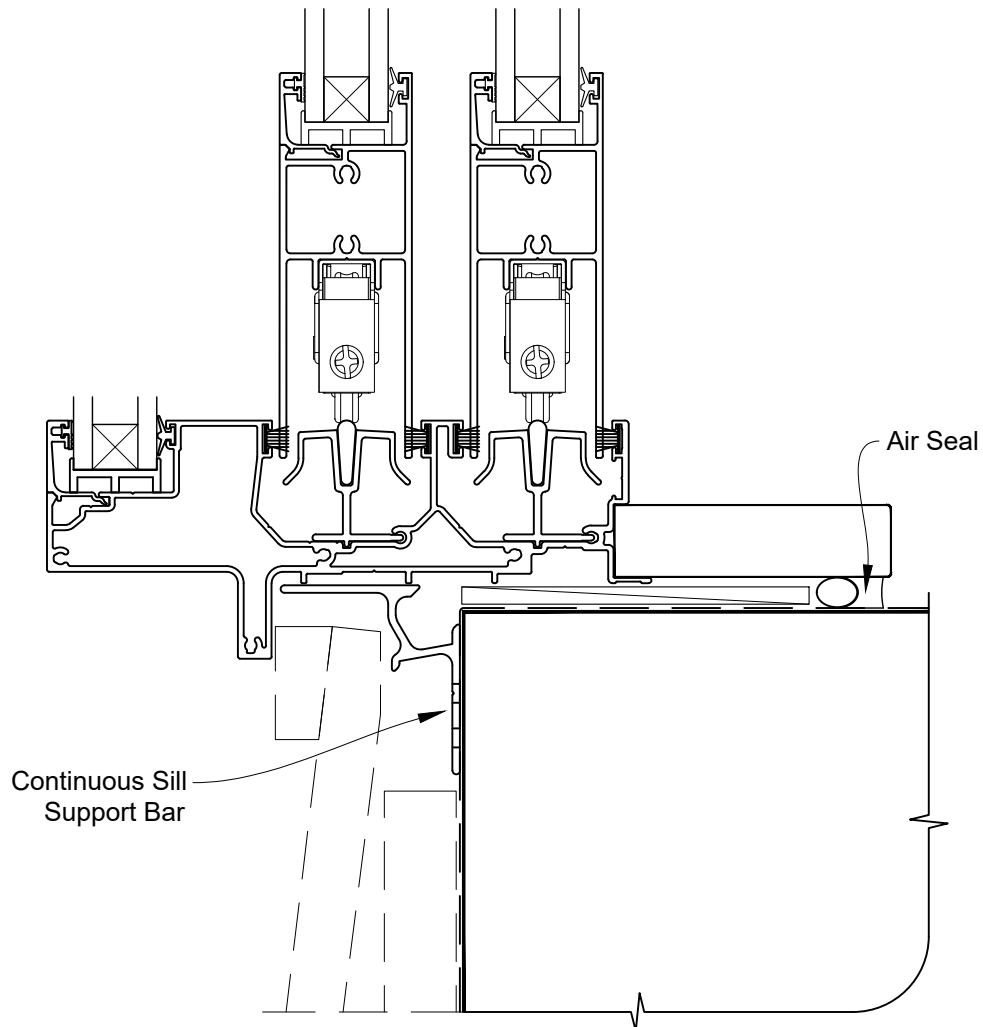
STEPPED MULTISLIDER DOOR FRAME OPTION



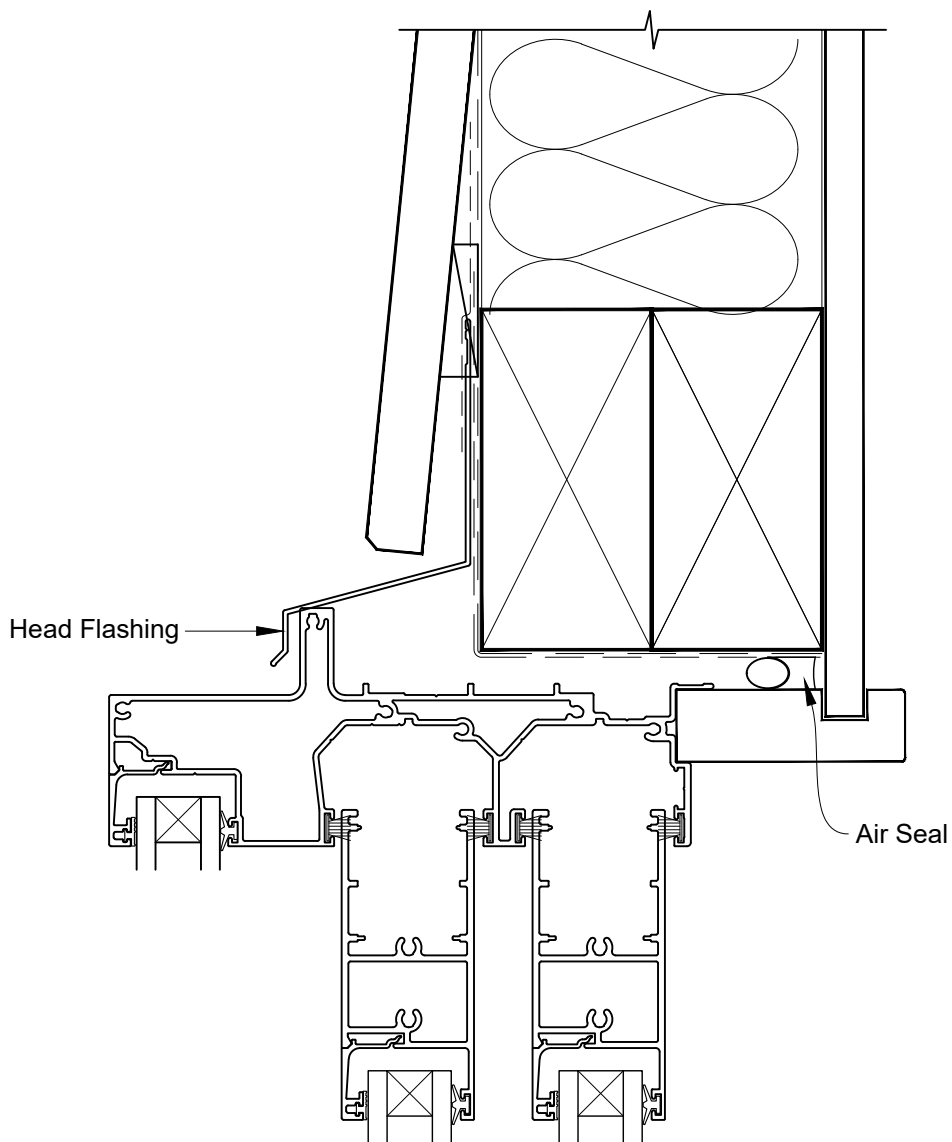
STEPPED MULTISLIDER DOOR FRAME OPTION



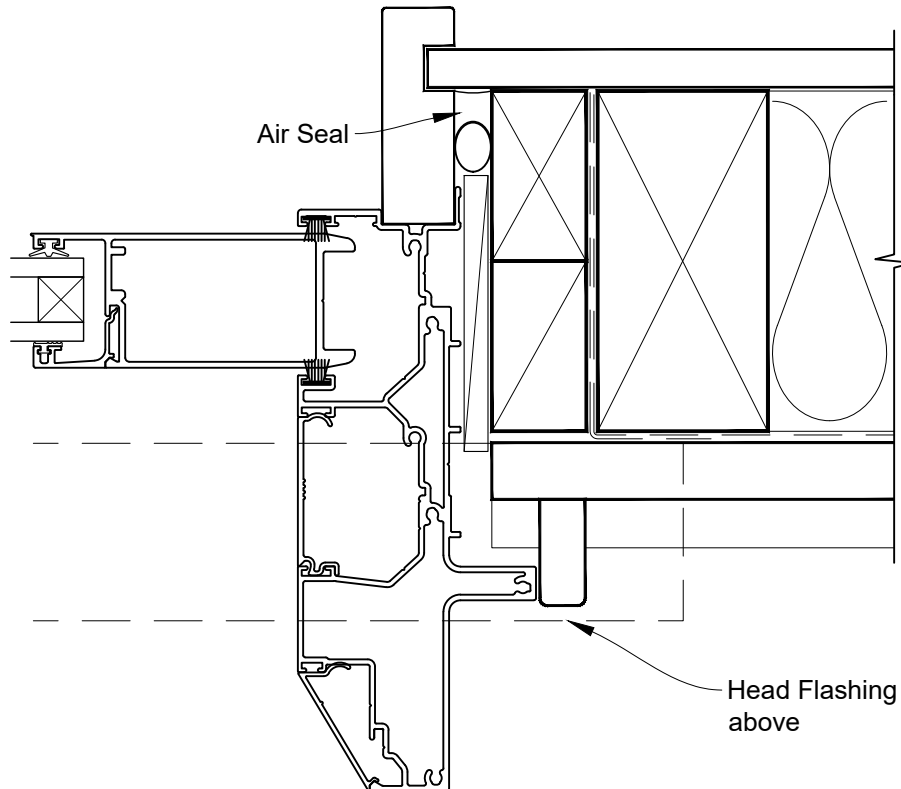
STEPPED MULTISLIDER DOOR FRAME OPTION



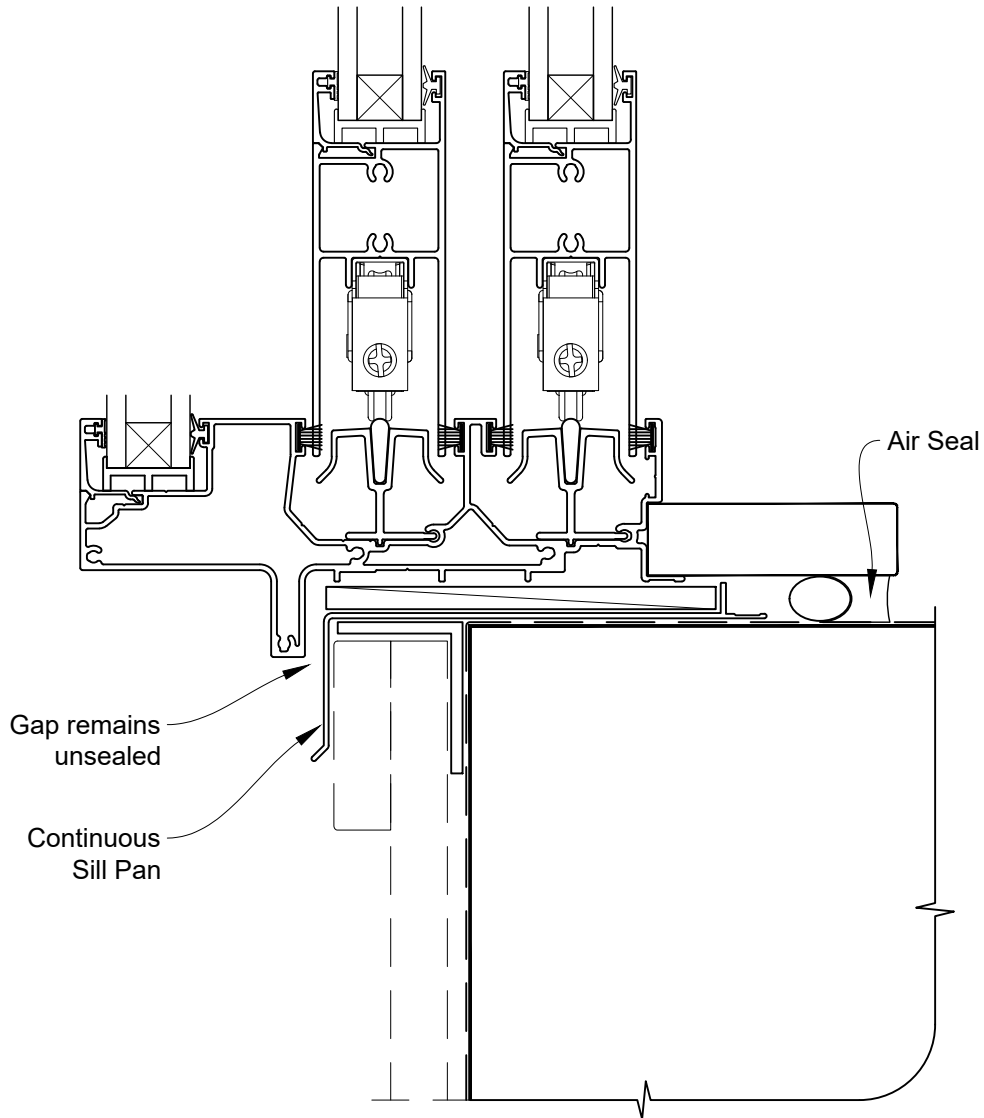
STEPPED MULTISLIDER DOOR FRAME OPTION



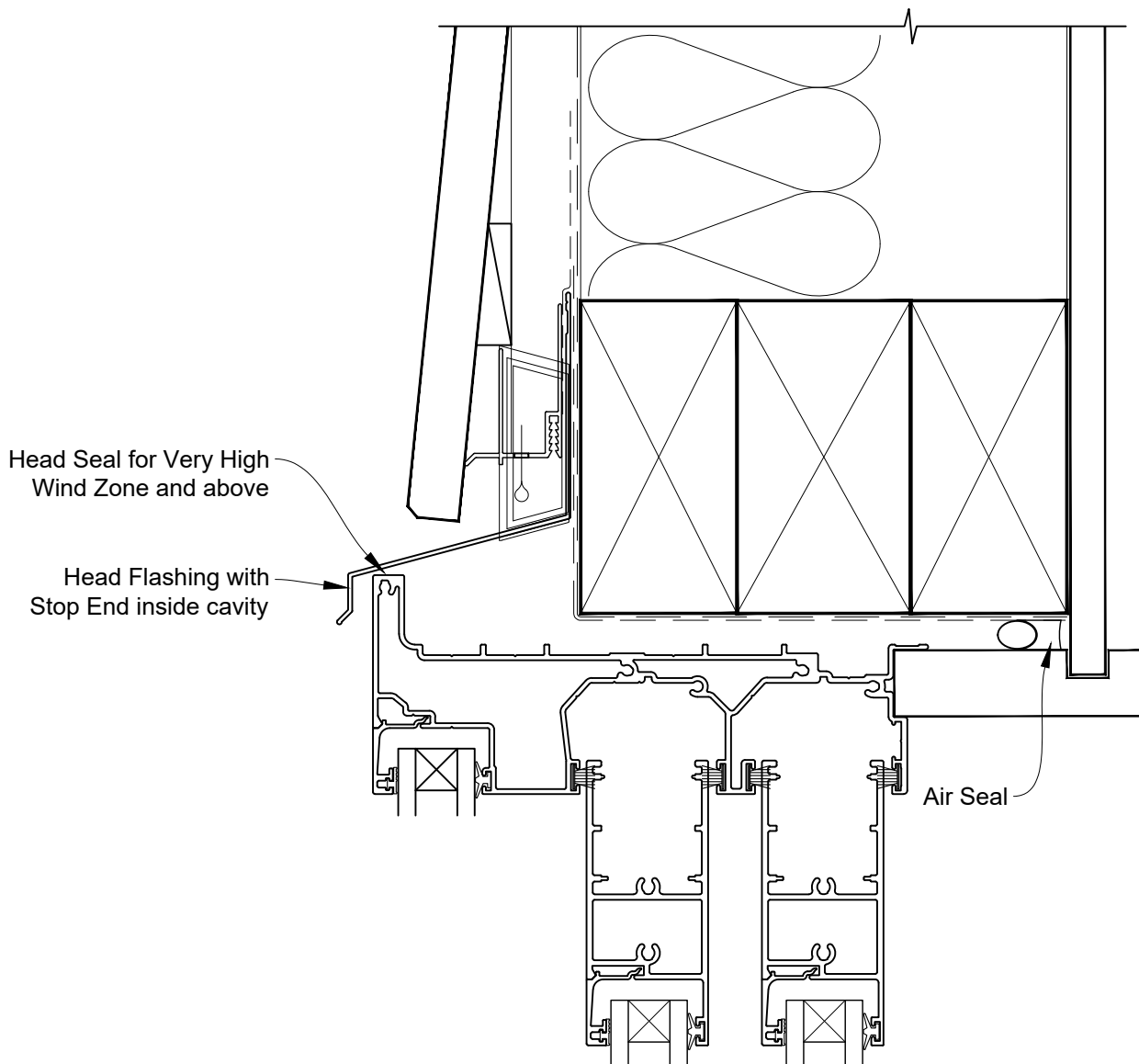
STEPPED MULTISLIDER DOOR FRAME OPTION



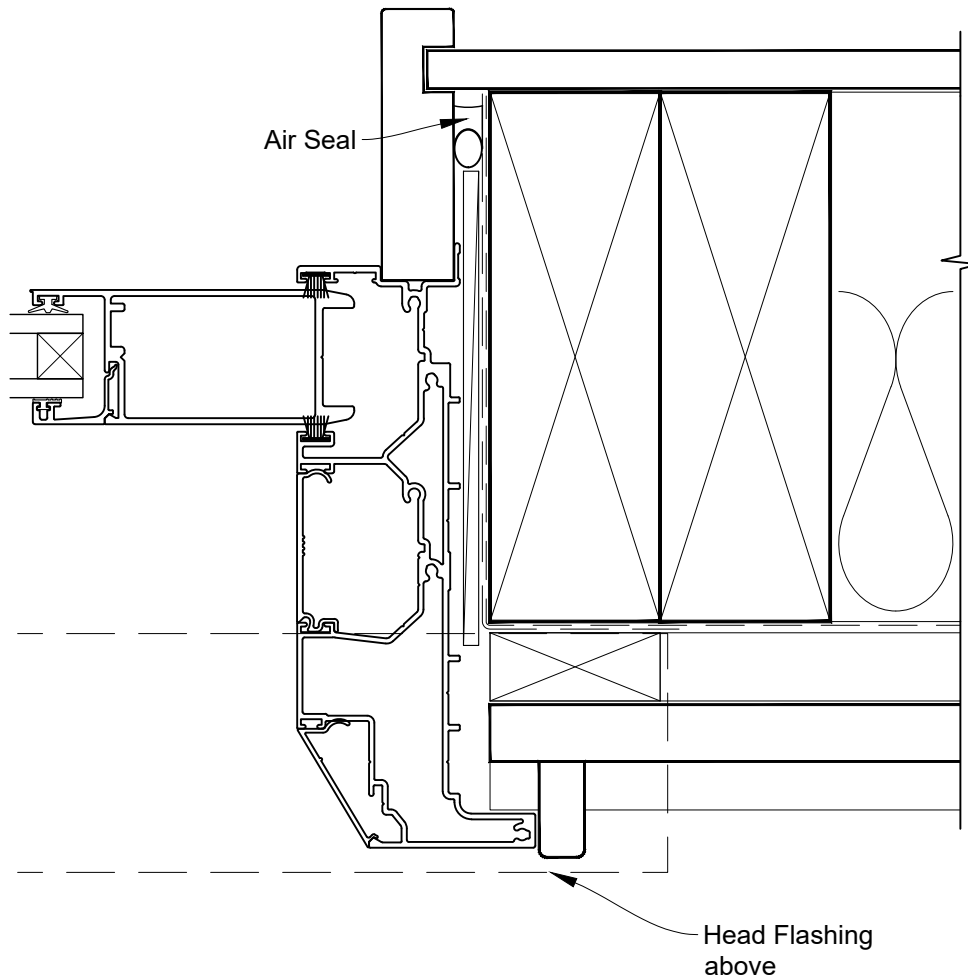
STEPPED MULTISLIDER DOOR FRAME OPTION



FLAT MULTISLIDER DOOR FRAME OPTION



FLAT MULTISLIDER DOOR FRAME OPTION



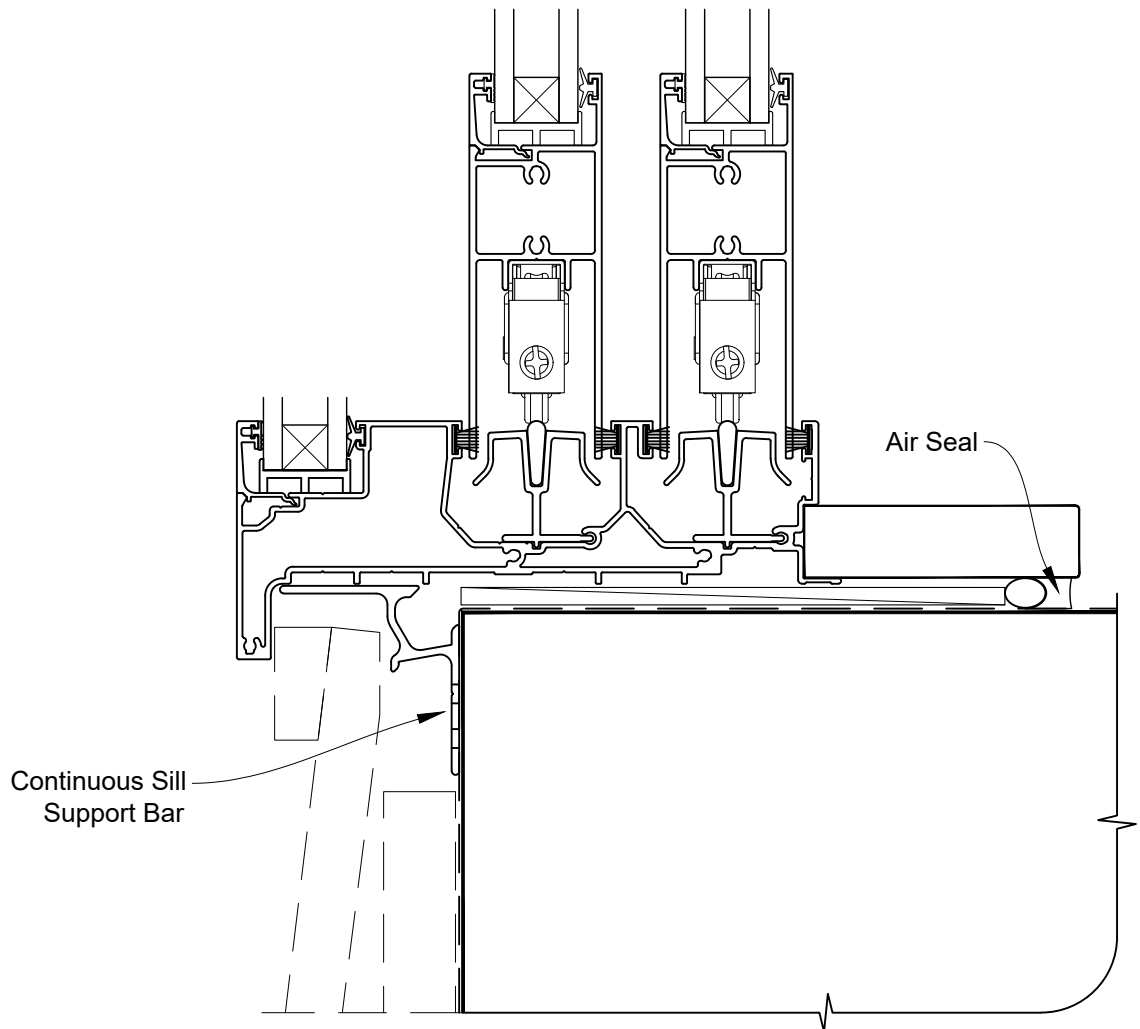
**INSTALLATION DETAIL - ALTHERM RESIDENTIAL
MULTISLIDER DOOR ON BEVELBACK WEATHERBOARD
CAVITY CONSTRUCTION**

Date: 01.04.19

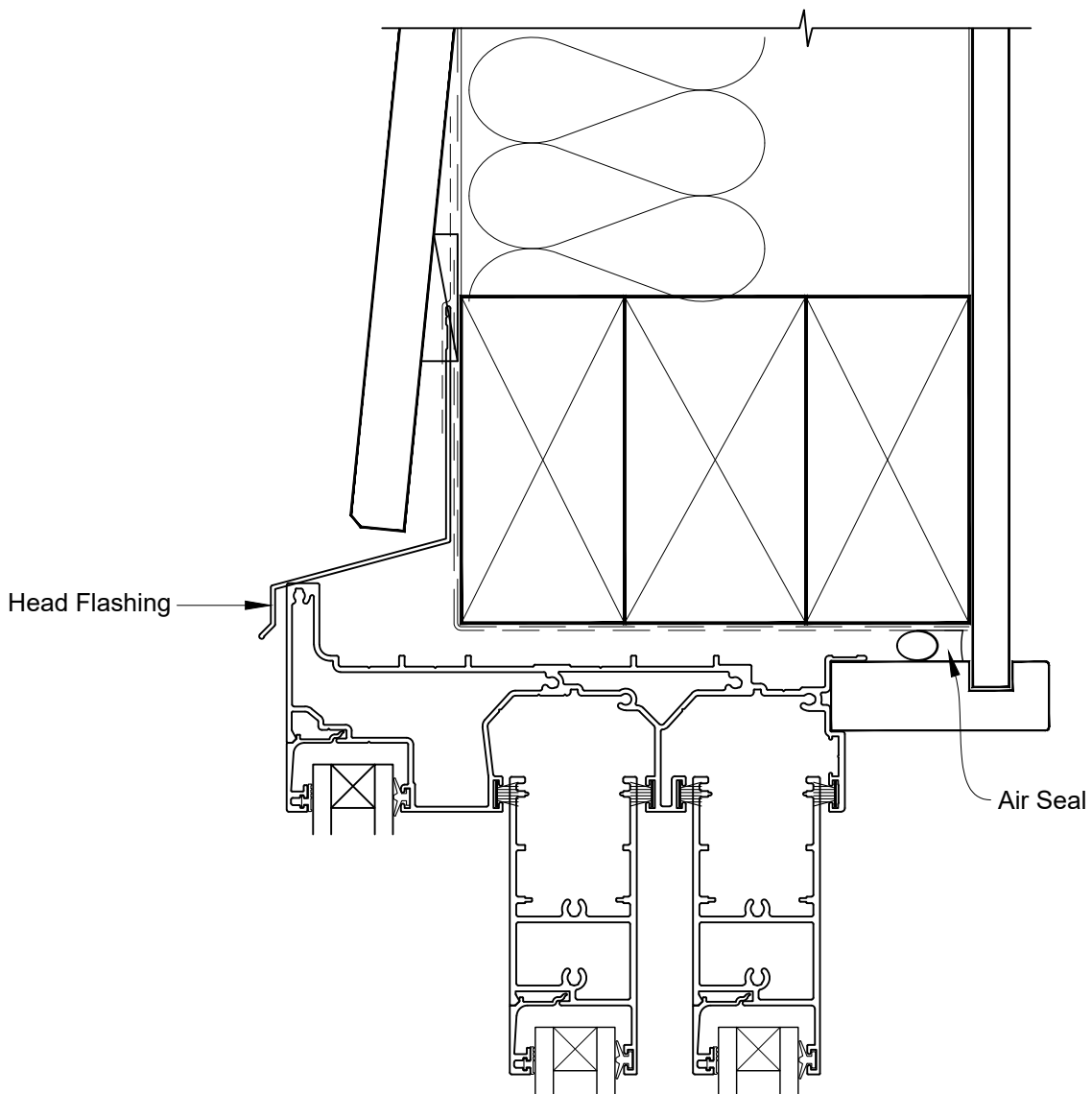
Scale: 1:2

CAD Ref.: ARMDBW-CFS

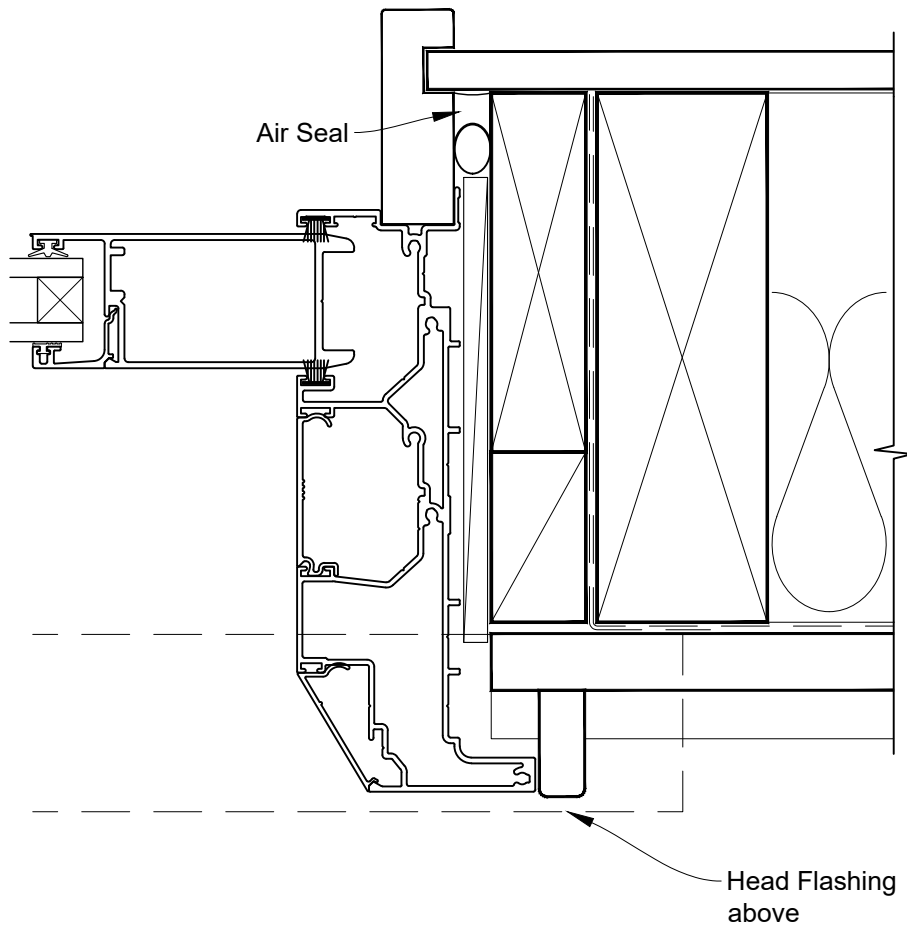
FLAT MULTISLIDER DOOR FRAME OPTION



FLAT MULTISLIDER DOOR FRAME OPTION



FLAT MULTISLIDER DOOR FRAME OPTION



FLAT MULTISLIDER DOOR FRAME OPTION

