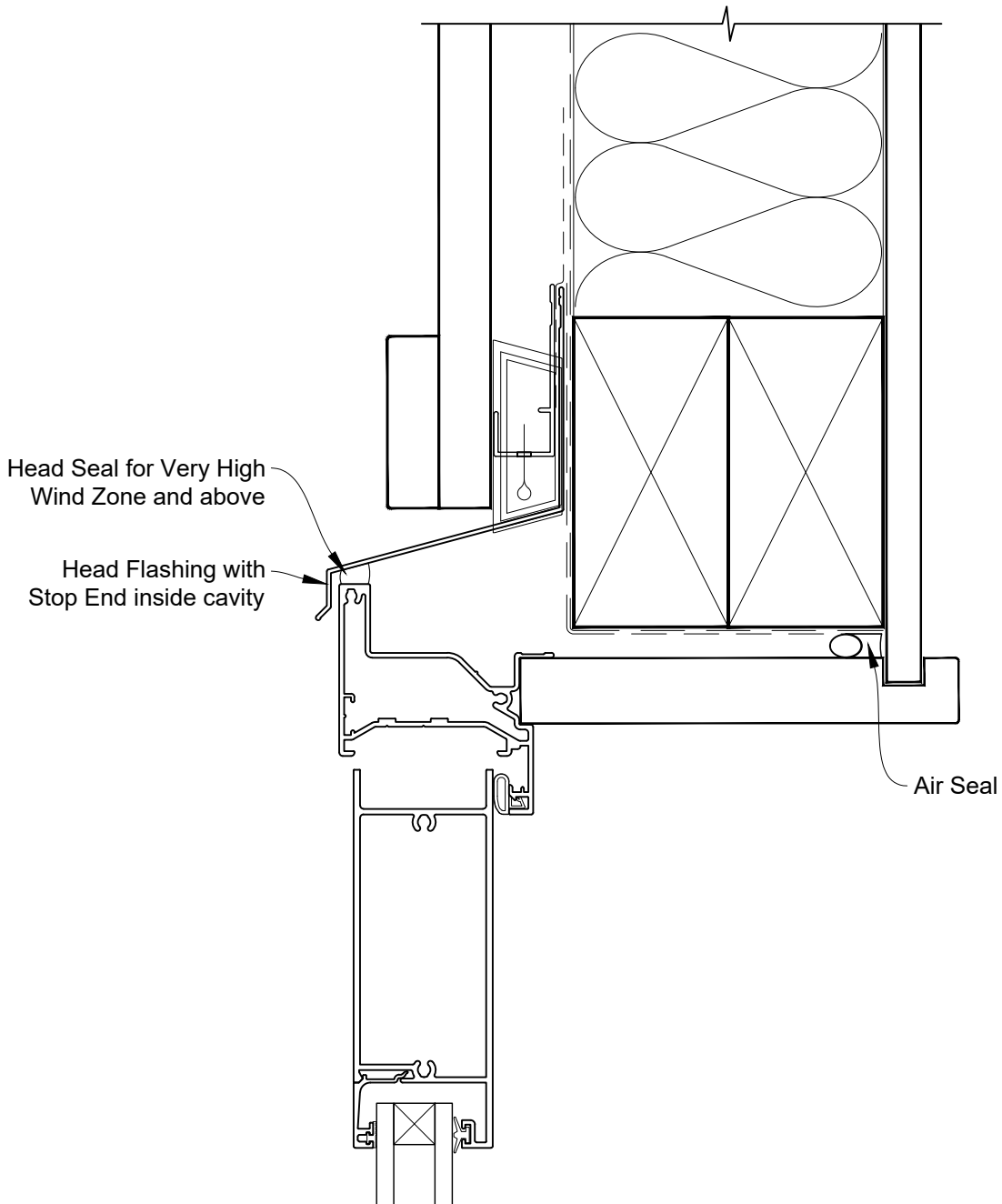


# INSTALLATION DETAIL - ALTherm RESIDENTIAL HINGED DOOR OPEN OUT ON BOARD & BATTEN CAVITY CONSTRUCTION

Date: 01.04.19

Scale: 1:2

CAD Ref.: ARHOBB-CH

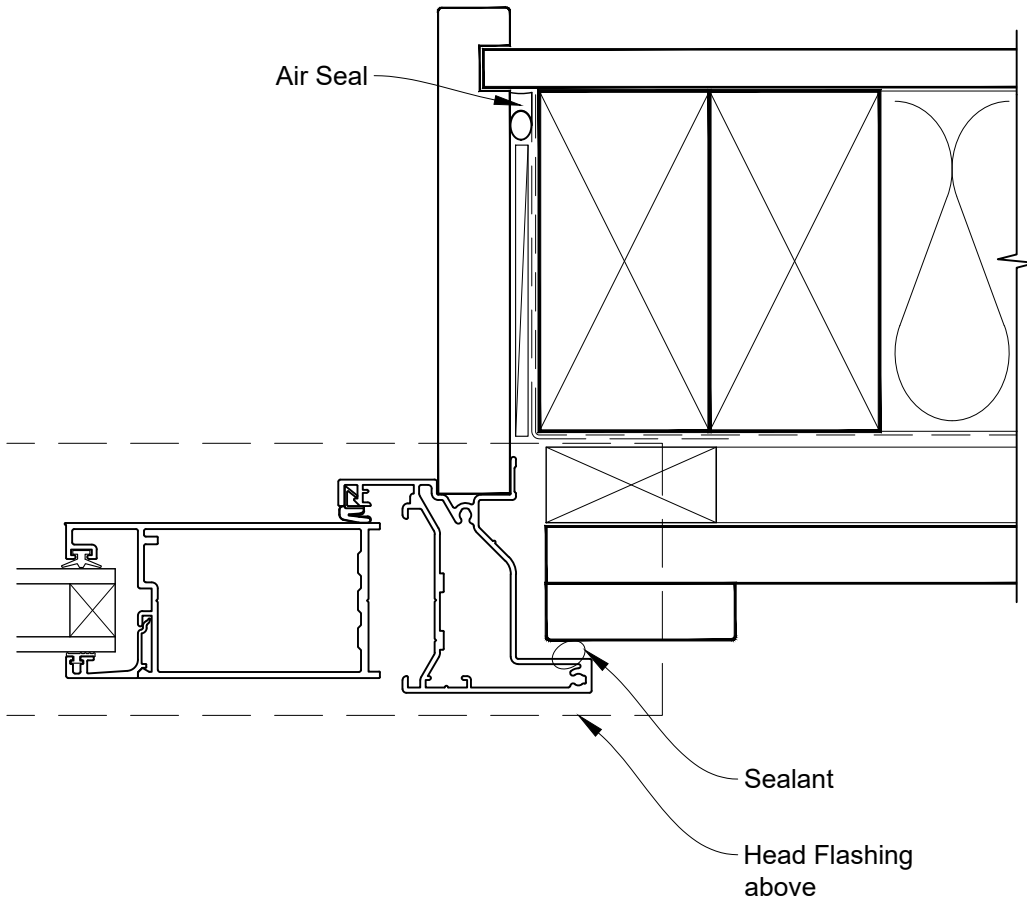


**INSTALLATION DETAIL - ALTHERM RESIDENTIAL  
HINGED DOOR OPEN OUT ON BOARD & BATTEN  
CAVITY CONSTRUCTION**

Date: 01.04.19

Scale: 1:2

CAD Ref.: ARHOBB-CJ

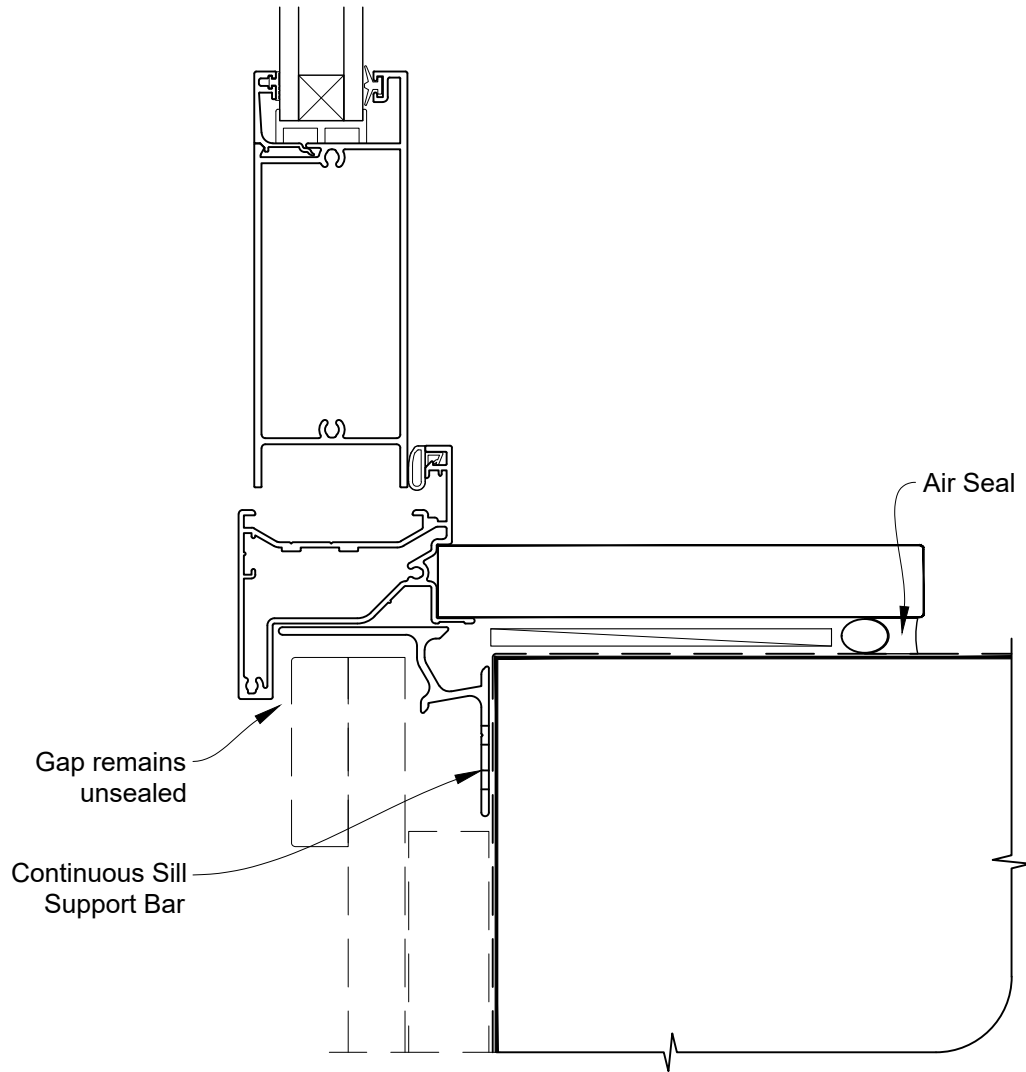


# INSTALLATION DETAIL - ALTHERM RESIDENTIAL HINGED DOOR OPEN OUT ON BOARD & BATTEN CAVITY CONSTRUCTION

Date: 01.04.19

Scale: 1:2

CAD Ref.: ARHOBB-CS

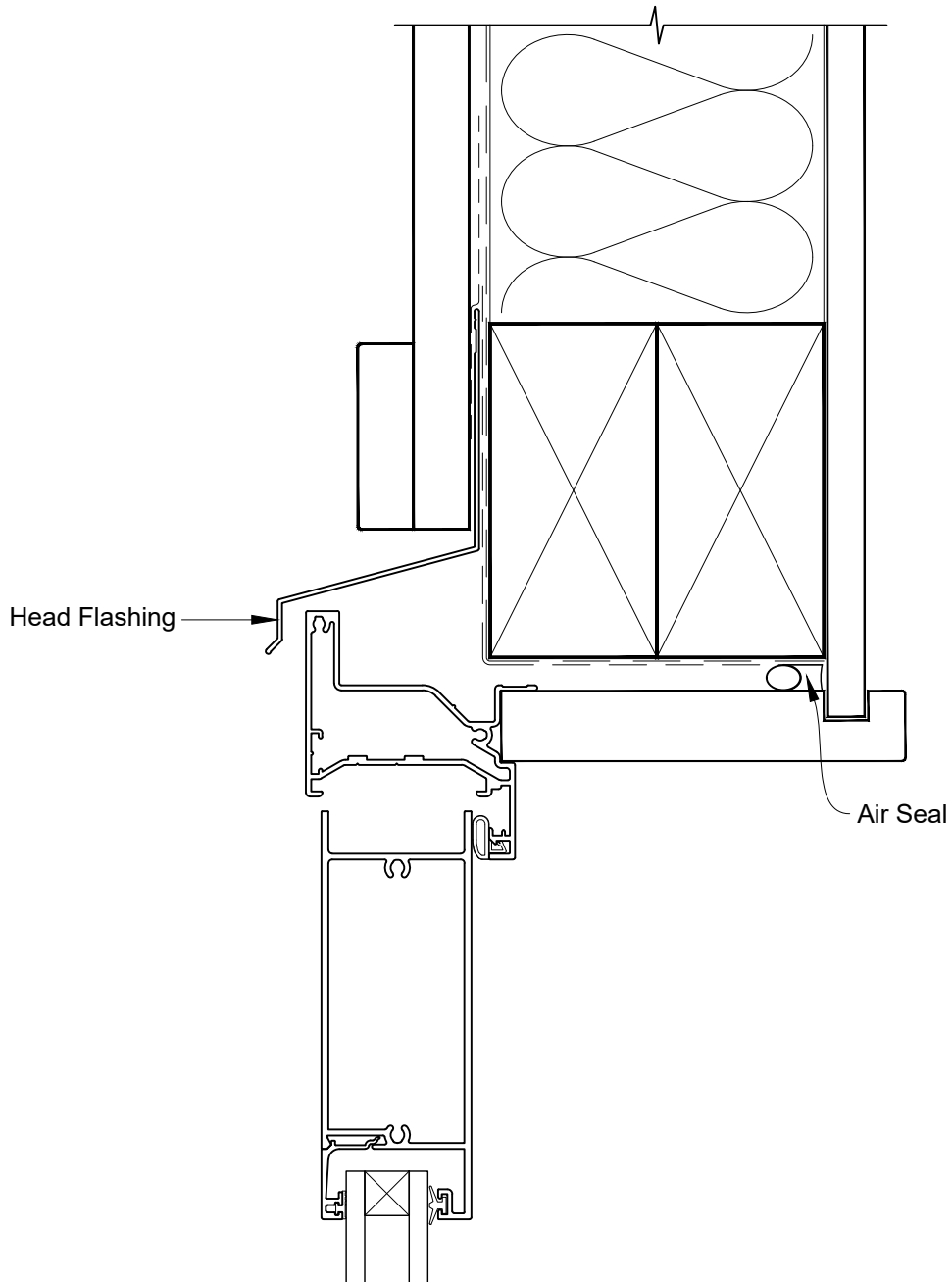


**INSTALLATION DETAIL - ALTherm RESIDENTIAL  
HINGED DOOR OPEN OUT ON BOARD & BATTEN  
DIRECT FIXED CLADDING**

Date: 01.04.19

Scale: 1:2

CAD Ref.: ARHOBB-DH

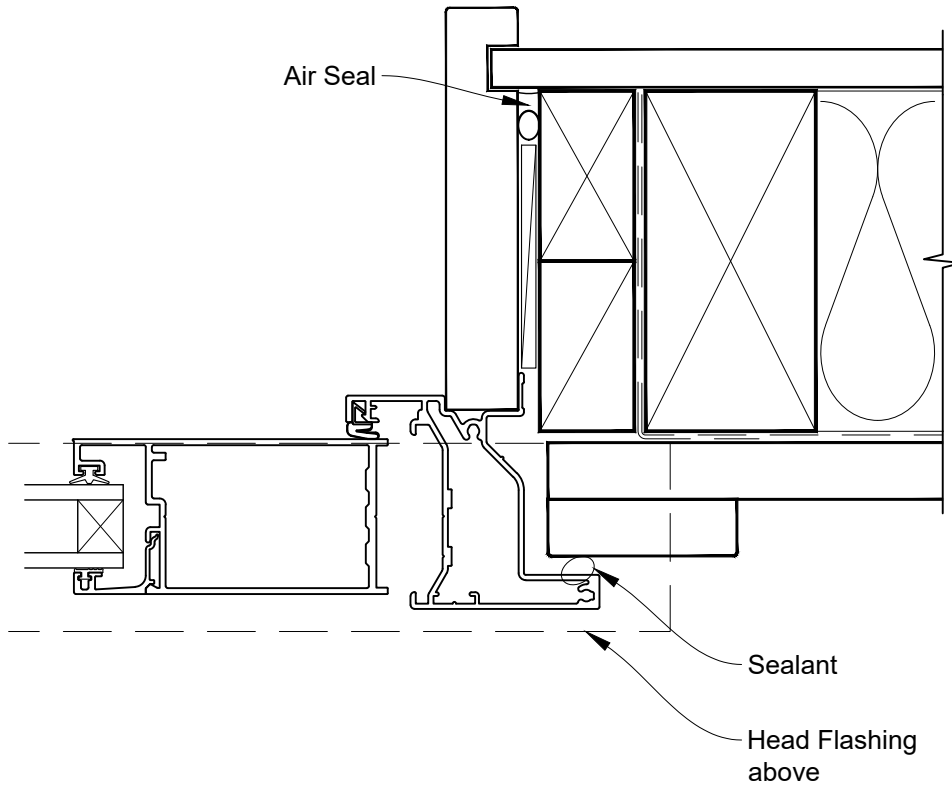


**INSTALLATION DETAIL - ALTherm RESIDENTIAL  
HINGED DOOR OPEN OUT ON BOARD & BATTEN  
DIRECT FIXED CLADDING**

Date: 01.04.19

Scale: 1:2

CAD Ref.: ARHOBB-DJ



# INSTALLATION DETAIL - ALTherm RESIDENTIAL HINGED DOOR OPEN OUT ON BOARD & BATTEN DIRECT FIXED CLADDING

Date: 01.04.19

Scale: 1:2

CAD Ref.: ARHOBB-DS

