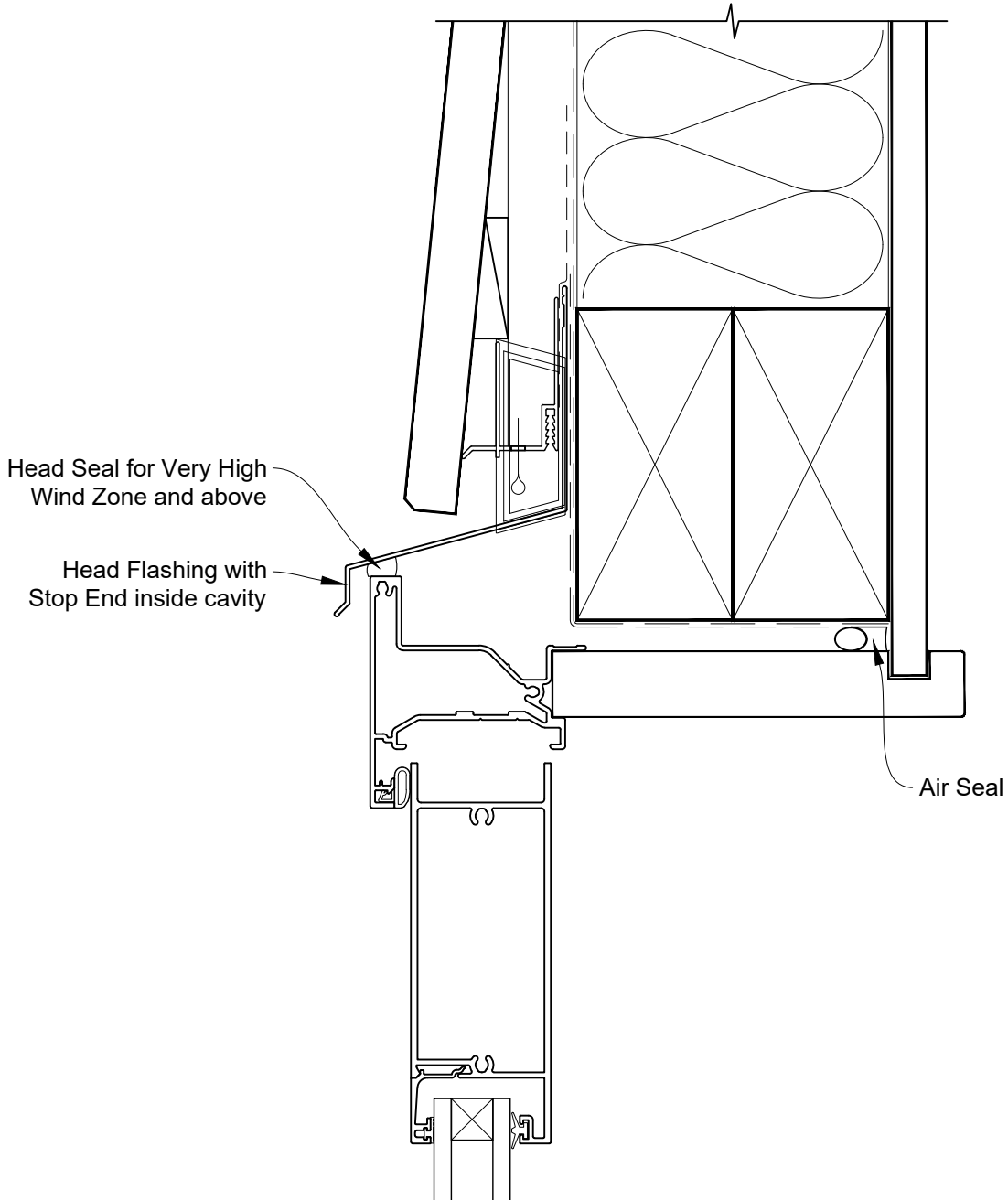


# INSTALLATION DETAIL - ALTHERM RESIDENTIAL HINGED DOOR OPEN IN ON BEVELBACK WEATHERBOARD CAVITY CONSTRUCTION

Date: 01.04.19

Scale: 1:2

CAD Ref.: ARHIBW-CH

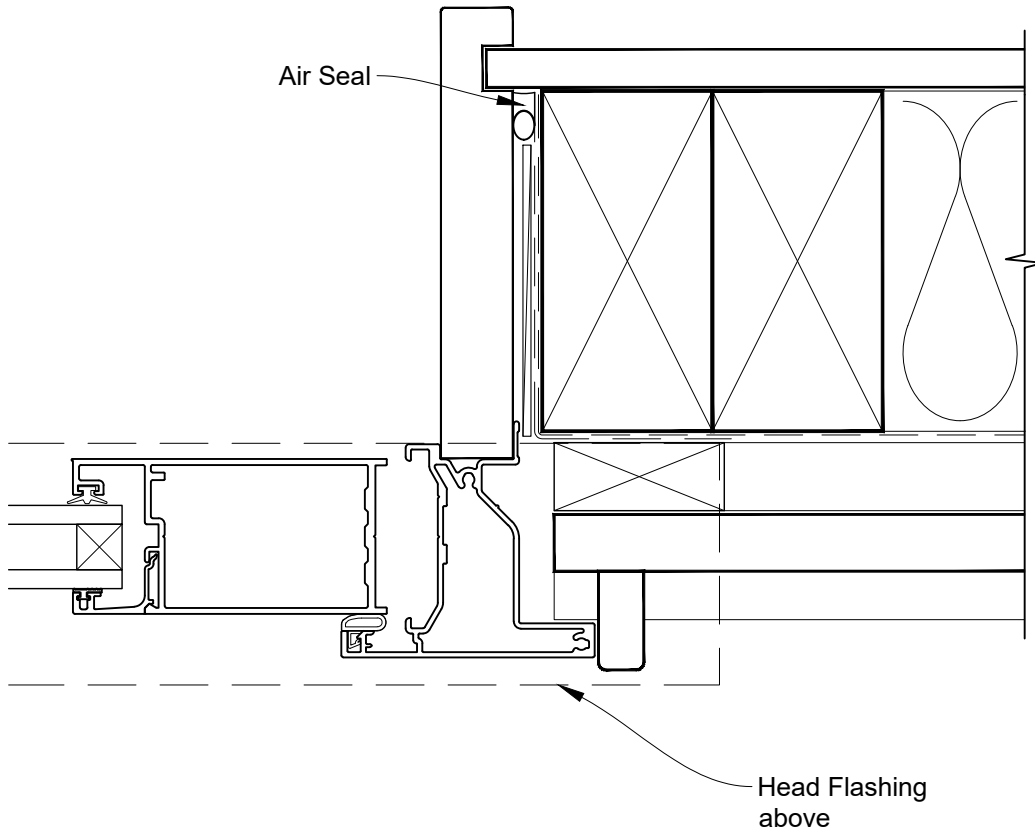


**INSTALLATION DETAIL - ALTherm RESIDENTIAL  
HINGED DOOR OPEN IN ON BEVELBACK WEATHERBOARD  
CAVITY CONSTRUCTION**

Date: 01.04.19

Scale: 1:2

CAD Ref.: ARHIBW-CJ

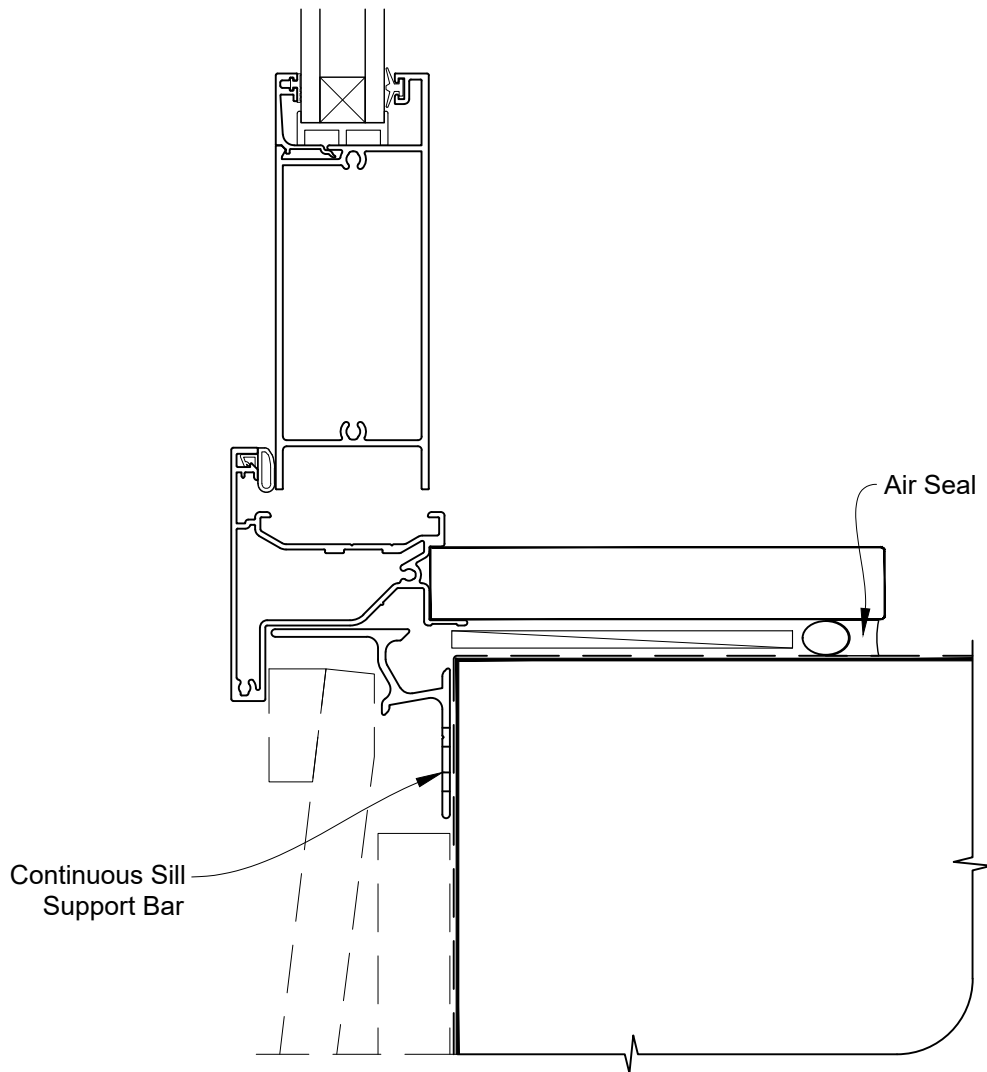


**INSTALLATION DETAIL - ALTHERM RESIDENTIAL  
HINGED DOOR OPEN IN ON BEVELBACK WEATHERBOARD  
CAVITY CONSTRUCTION**

Date: 01.04.19

Scale: 1:2

CAD Ref.: ARHIBW-CS

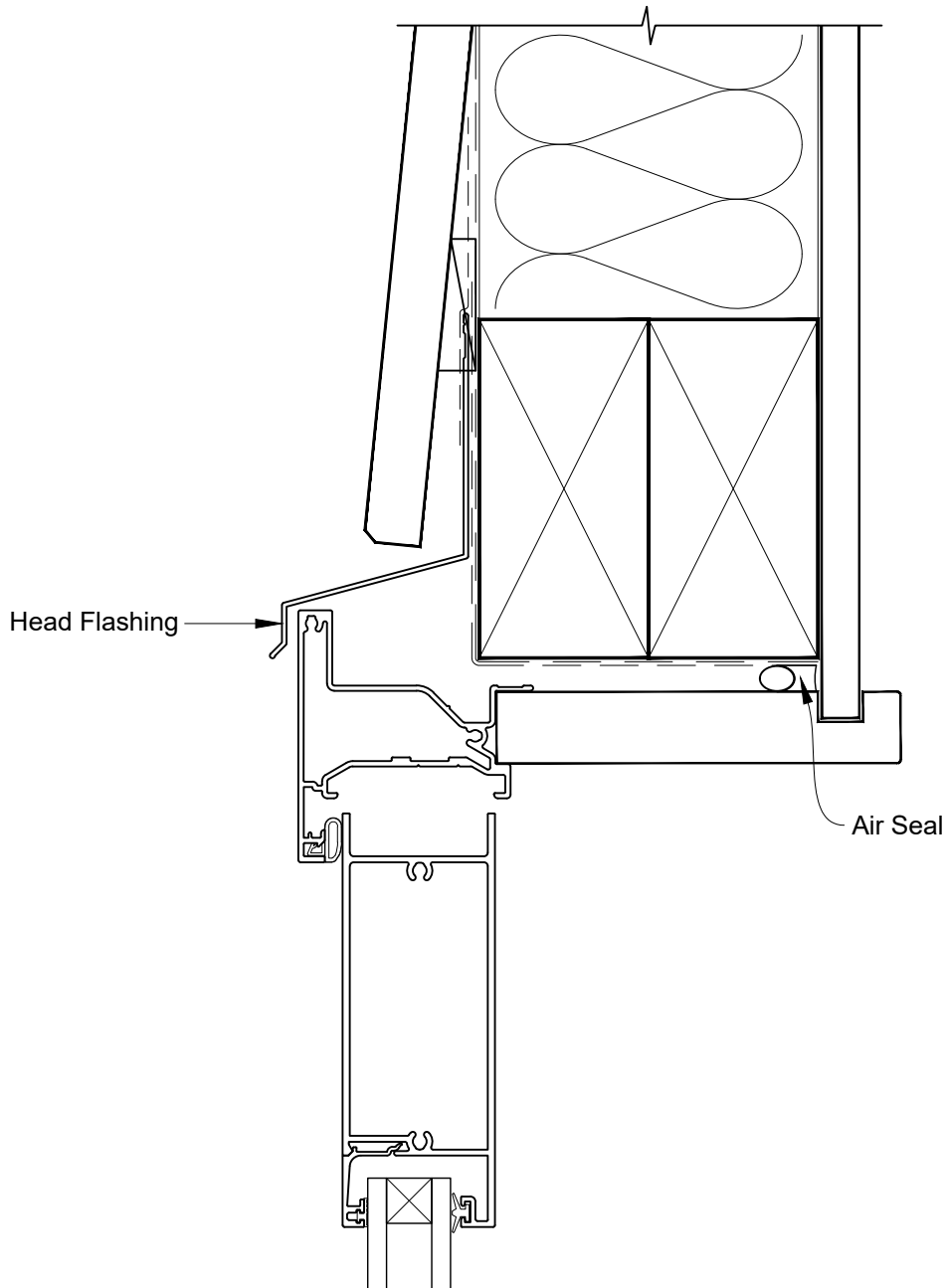


**INSTALLATION DETAIL - ALTHERM RESIDENTIAL  
HINGED DOOR OPEN IN ON BEVELBACK WEATHERBOARD  
DIRECT FIXED CLADDING**

Date: 01.04.19

Scale: 1:2

CAD Ref.: ARHIBW-DH

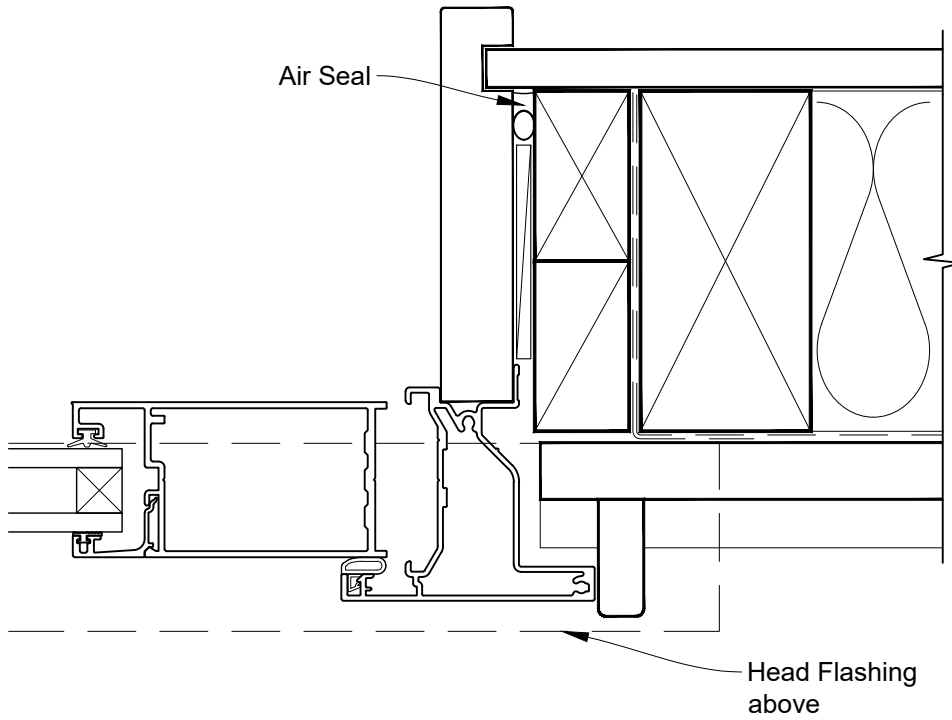


**INSTALLATION DETAIL - ALTherm RESIDENTIAL  
HINGED DOOR OPEN IN ON BEVELBACK WEATHERBOARD  
DIRECT FIXED CLADDING**

Date: 01.04.19

Scale: 1:2

CAD Ref.: ARHIBW-DJ



**INSTALLATION DETAIL - ALTherm RESIDENTIAL  
HINGED DOOR OPEN IN ON BEVELBACK WEATHERBOARD  
DIRECT FIXED CLADDING**

Date: 01.04.19

Scale: 1:2

CAD Ref.: ARHIBW-DS

