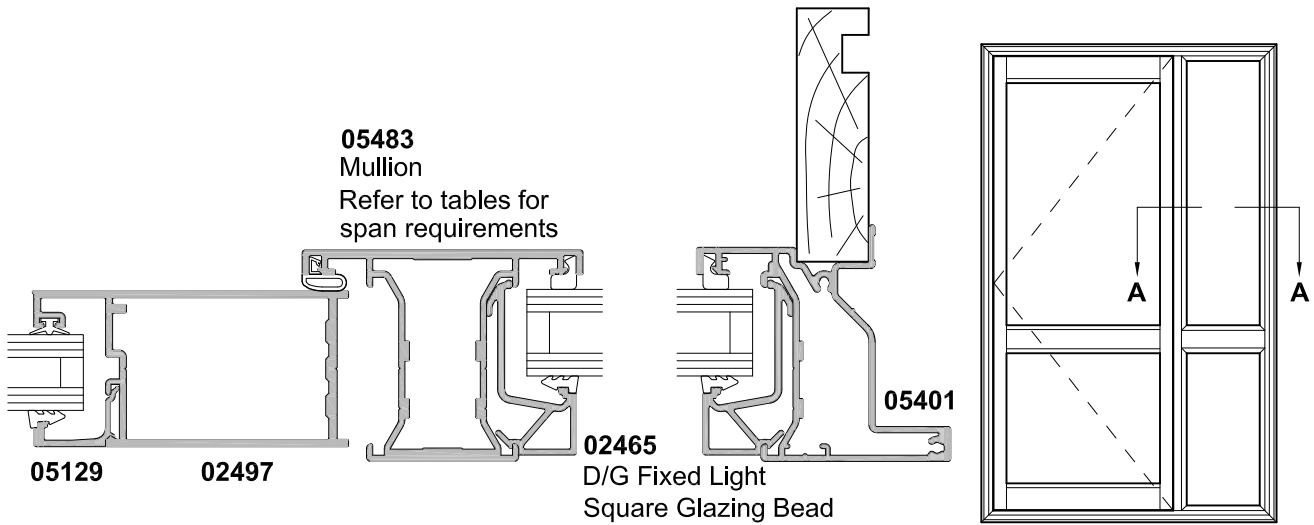


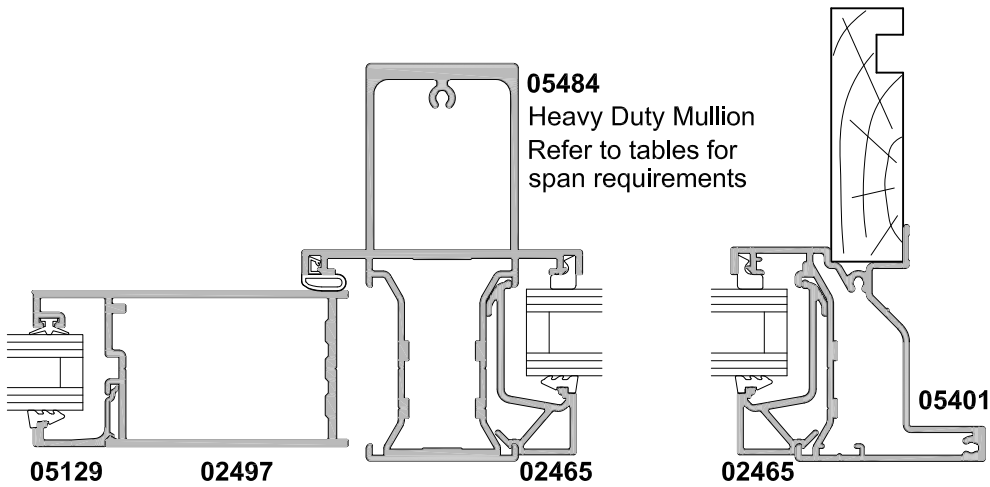
HINGED DOOR, SIDELIGHT MULLIONS AND COUPLING BAR

CROSS SECTION

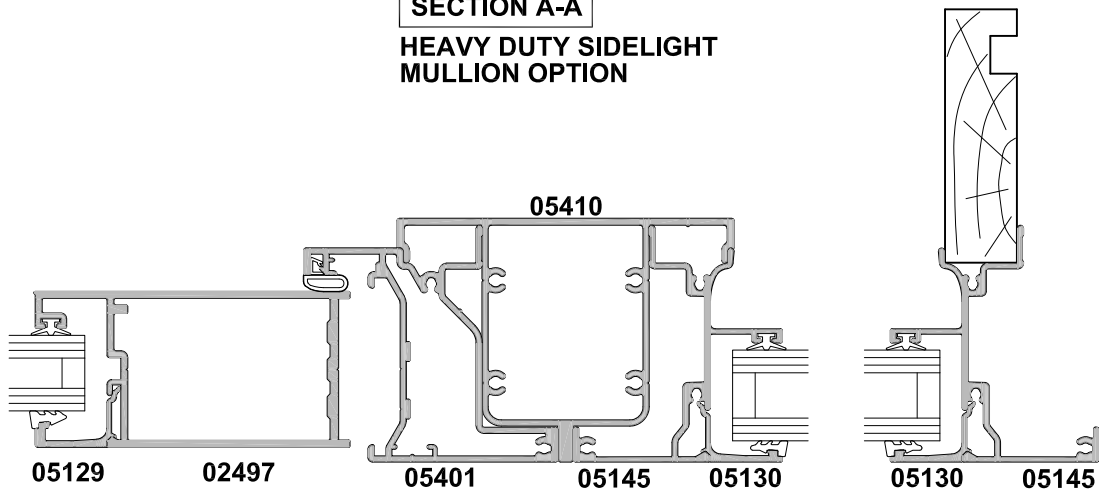
Cad Ref. AHD06-0 Scale 1:2 Date 01.04.19



SECTION A-A
DIRECT GLAZING OPTION



SECTION A-A
**HEAVY DUTY SIDELIGHT
MULLION OPTION**



SECTION A-A
COUPLING OPTION