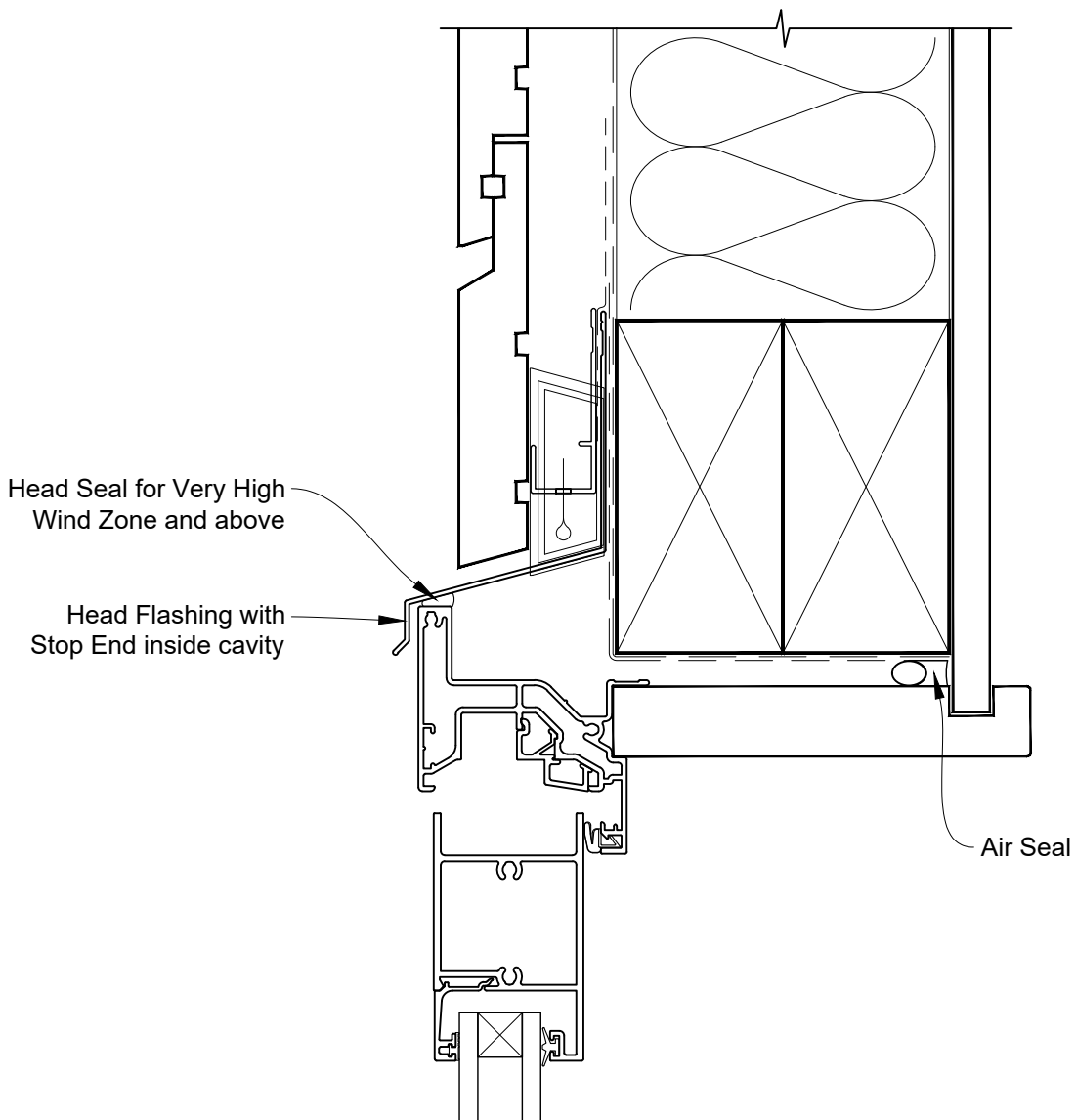


**INSTALLATION DETAIL - ALTHERM RESIDENTIAL
BIFOLD WINDOW ON RUSTICATED WEATHERBOARD
CAVITY CONSTRUCTION**

Date: 01.04.19

Scale: 1:2

CAD Ref.: ARBWRW-CH

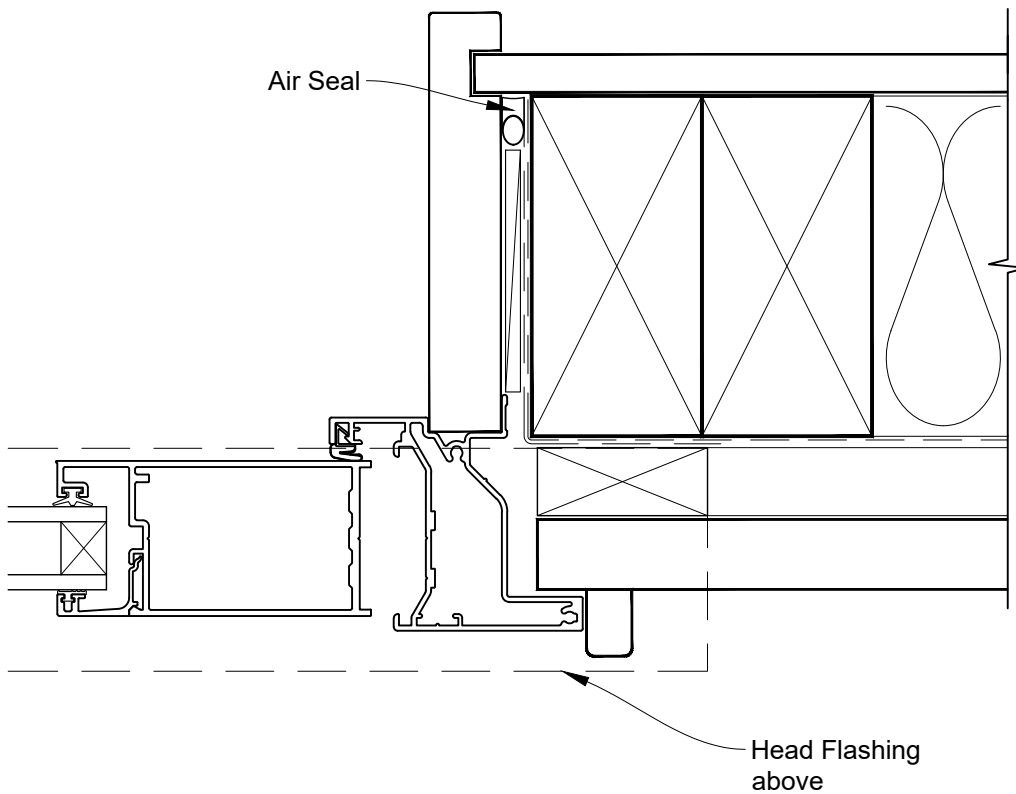


INSTALLATION DETAIL - ALTHERM RESIDENTIAL BIFOLD WINDOW ON RUSTICATED WEATHERBOARD CAVITY CONSTRUCTION

Date: 01.04.19

Scale: 1:2

CAD Ref.: ARBWRW-CJ

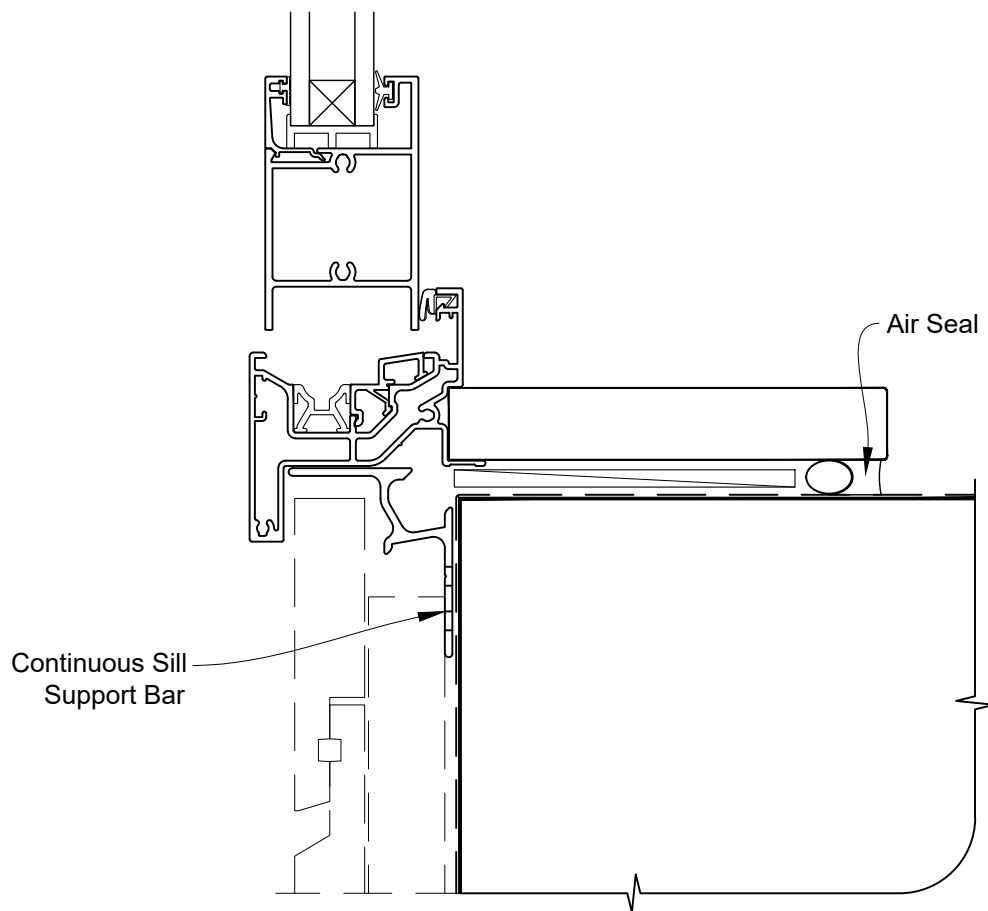


INSTALLATION DETAIL - ALTHERM RESIDENTIAL BIFOLD WINDOW ON RUSTICATED WEATHERBOARD CAVITY CONSTRUCTION

Date: 01.04.19

Scale: 1:2

CAD Ref.: ARBWRW-CS

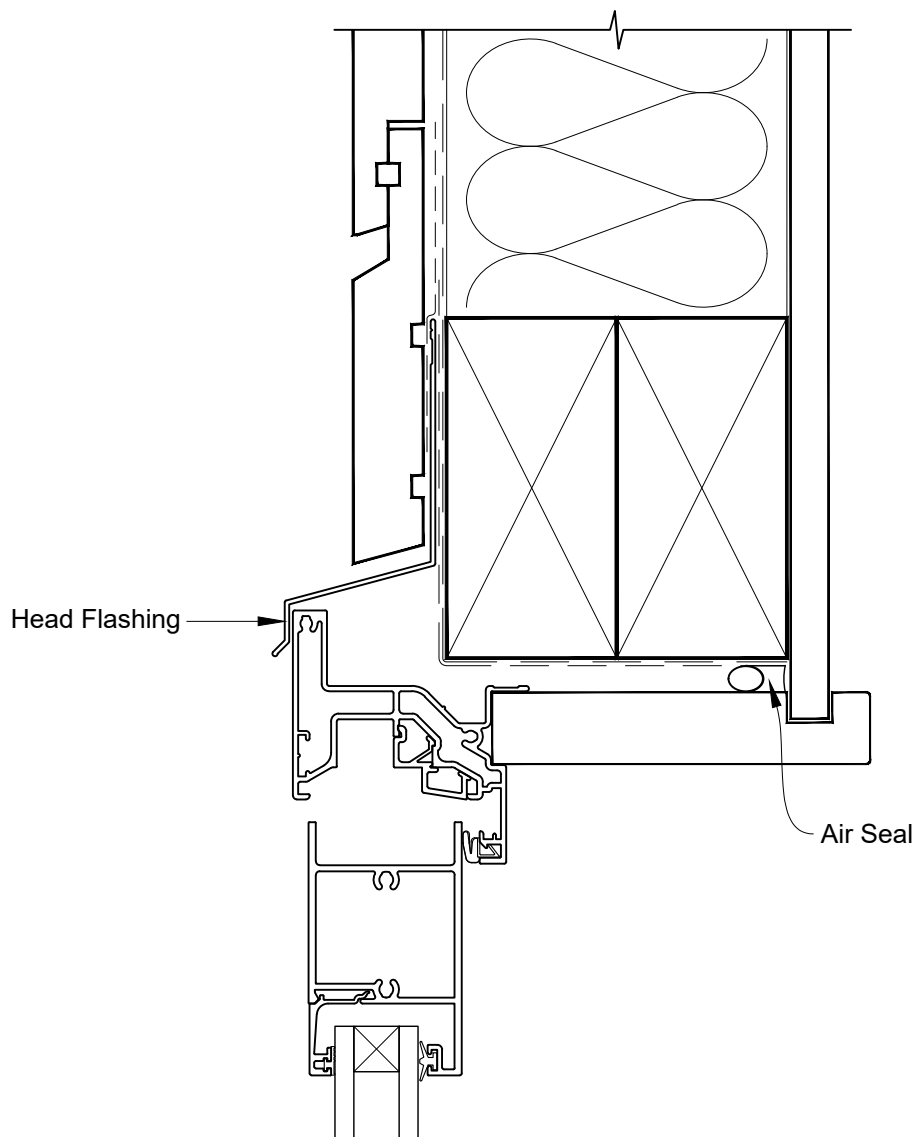


**INSTALLATION DETAIL - ALTHERM RESIDENTIAL
BIFOLD WINDOW ON RUSTICATED WEATHERBOARD
DIRECT FIXED CLADDING**

Date: 01.04.19

Scale: 1:2

CAD Ref.: ARBWRW-DH

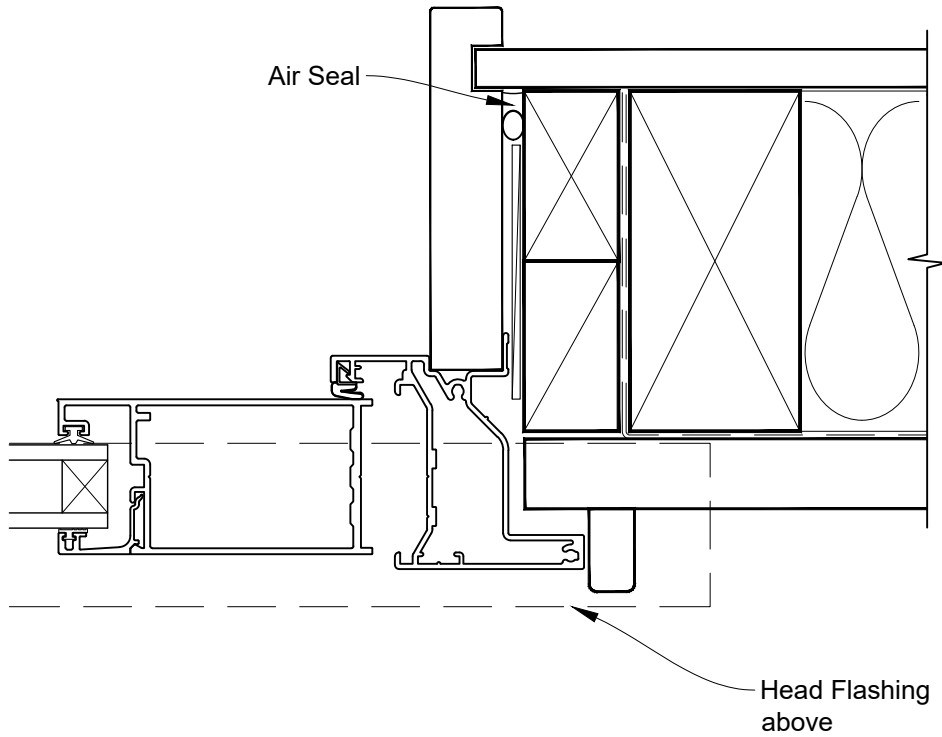


**INSTALLATION DETAIL - ALTHERM RESIDENTIAL
BIFOLD WINDOW ON RUSTICATED WEATHERBOARD
DIRECT FIXED CLADDING**

Date: 01.04.19

Scale: 1:2

CAD Ref.: ARBWRW-DJ



**INSTALLATION DETAIL - ALTherm RESIDENTIAL
BIFOLD WINDOW ON RUSTICATED WEATHERBOARD
DIRECT FIXED CLADDING**

Date: 01.04.19

Scale: 1:2

CAD Ref.: ARBWRW-DS

