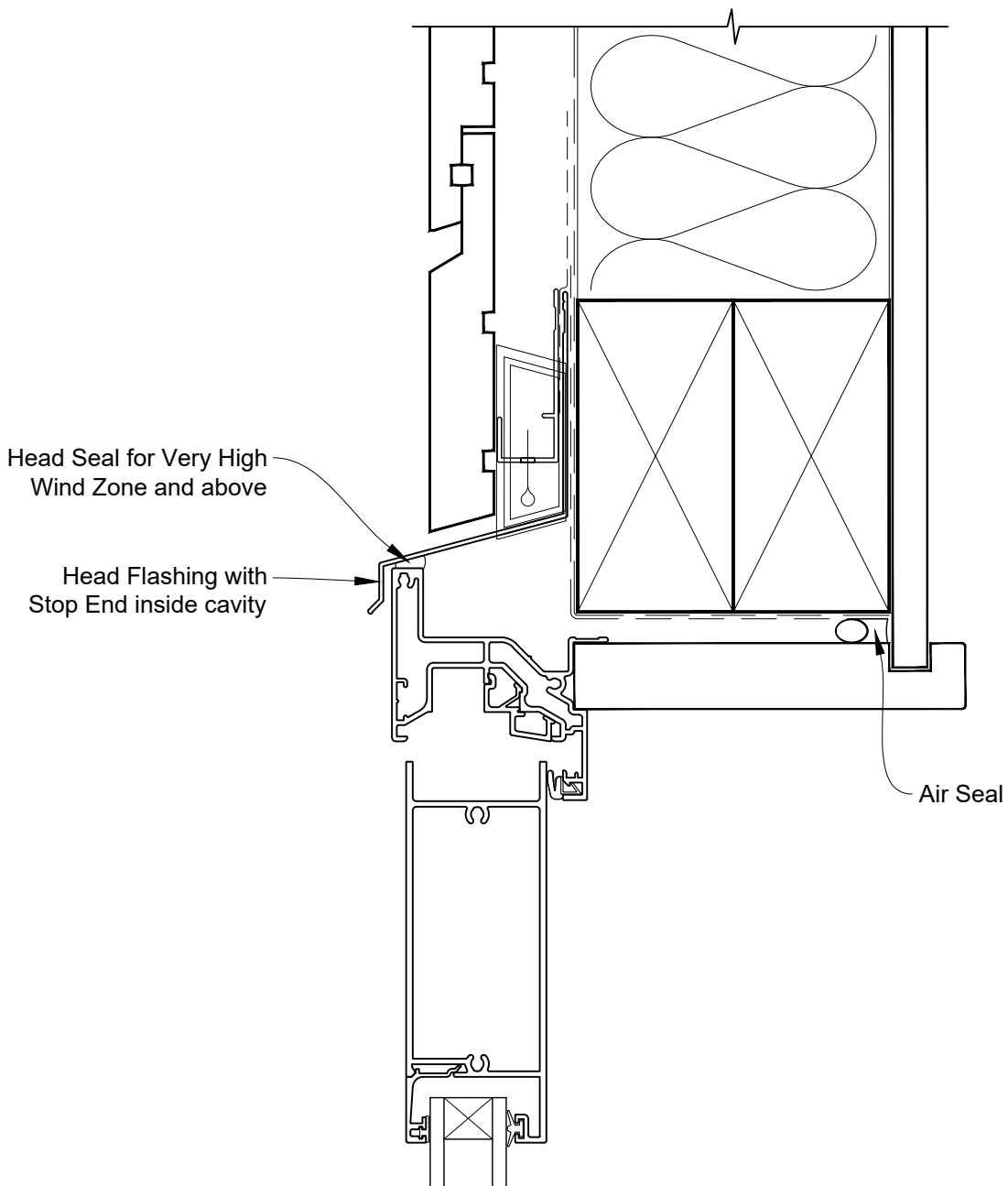


INSTALLATION DETAIL - ALTherm RESIDENTIAL BIFOLD DOOR OPEN OUT ON RUSTICATED WEATHERBOARD CAVITY CONSTRUCTION

Date: 01.04.19

Scale: 1:2

CAD Ref.: ARBORW-CH

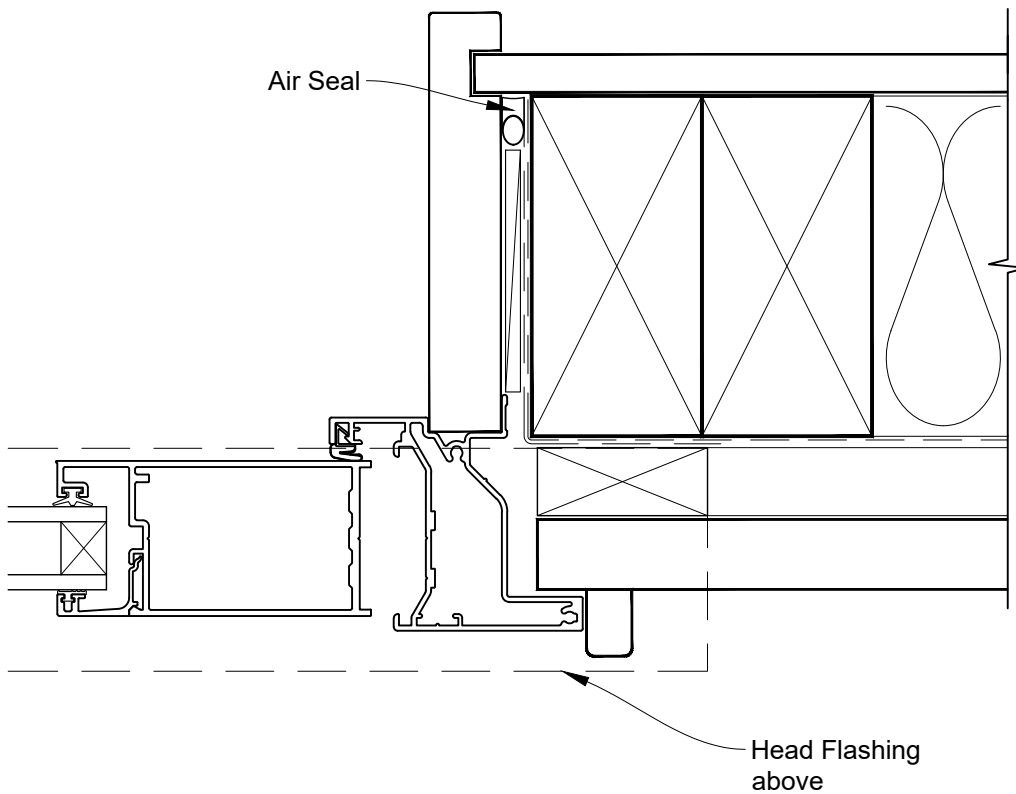


**INSTALLATION DETAIL - ALTHERM RESIDENTIAL
BIFOLD DOOR OPEN OUT ON RUSTICATED WEATHERBOARD
CAVITY CONSTRUCTION**

Date: 01.04.19

Scale: 1:2

CAD Ref.: ARBORW-CJ

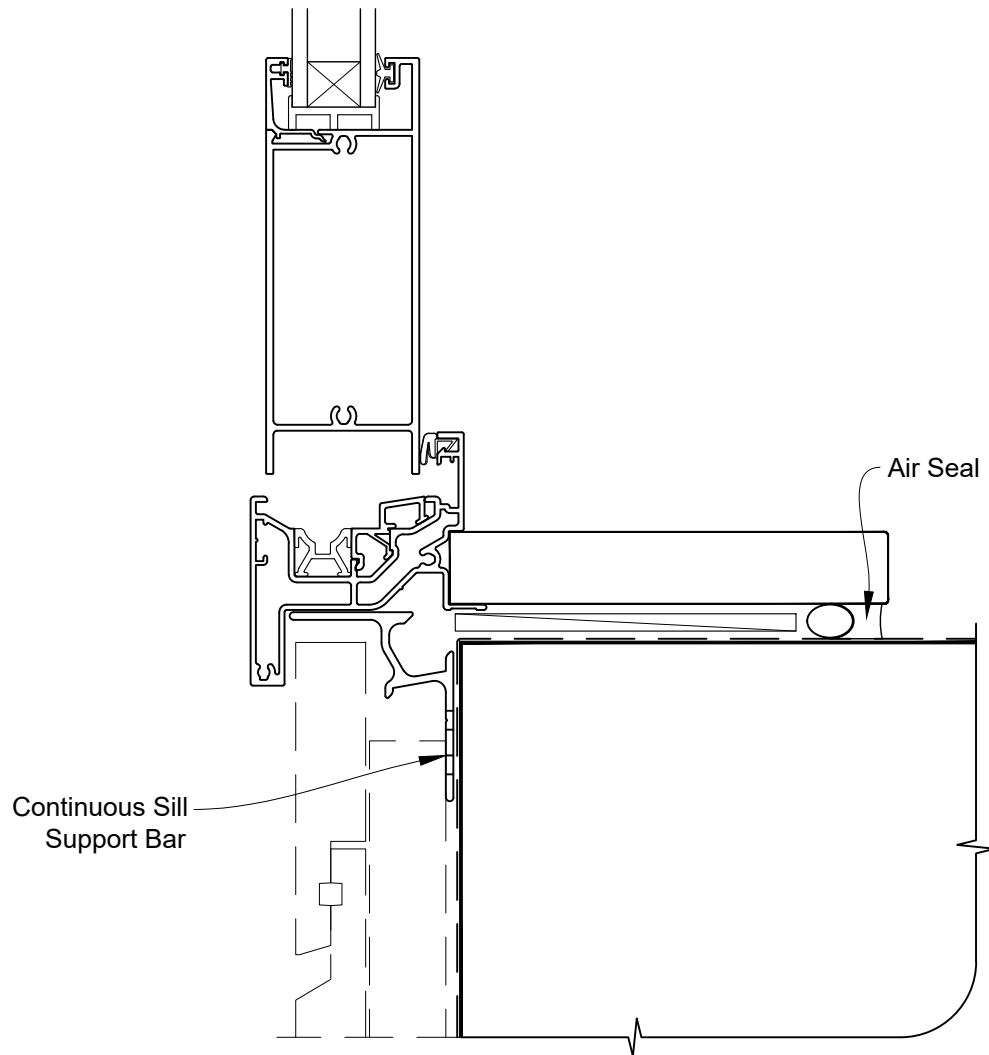


**INSTALLATION DETAIL - ALTHERM RESIDENTIAL
BIFOLD DOOR OPEN OUT ON RUSTICATED WEATHERBOARD
CAVITY CONSTRUCTION**

Date: 01.04.19

Scale: 1:2

CAD Ref.: ARBORW-CS

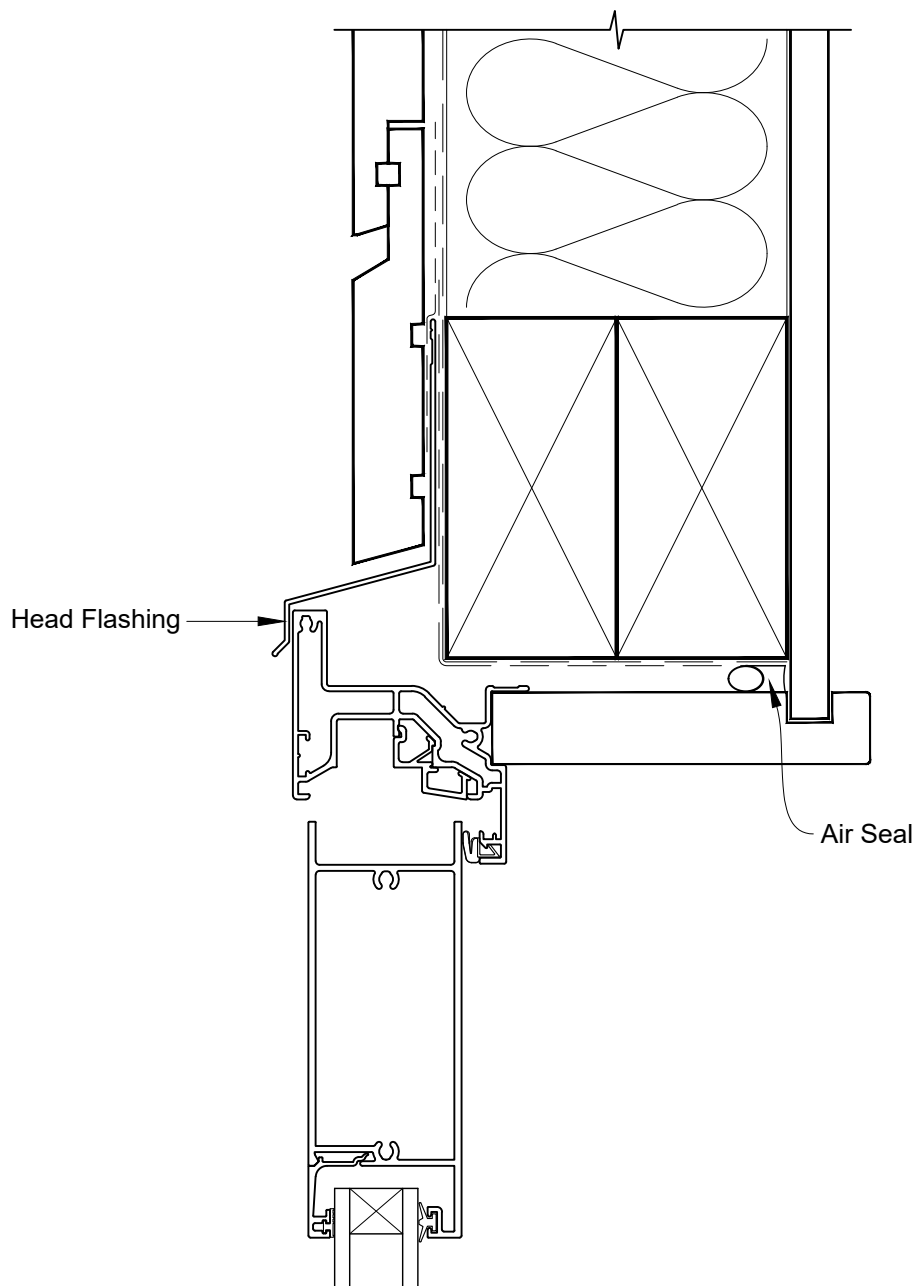


**INSTALLATION DETAIL - ALTherm RESIDENTIAL
BIFOLD DOOR OPEN OUT ON RUSTICATED WEATHERBOARD
DIRECT FIXED CLADDING**

Date: 01.04.19

Scale: 1:2

CAD Ref.: ARBORW-DH

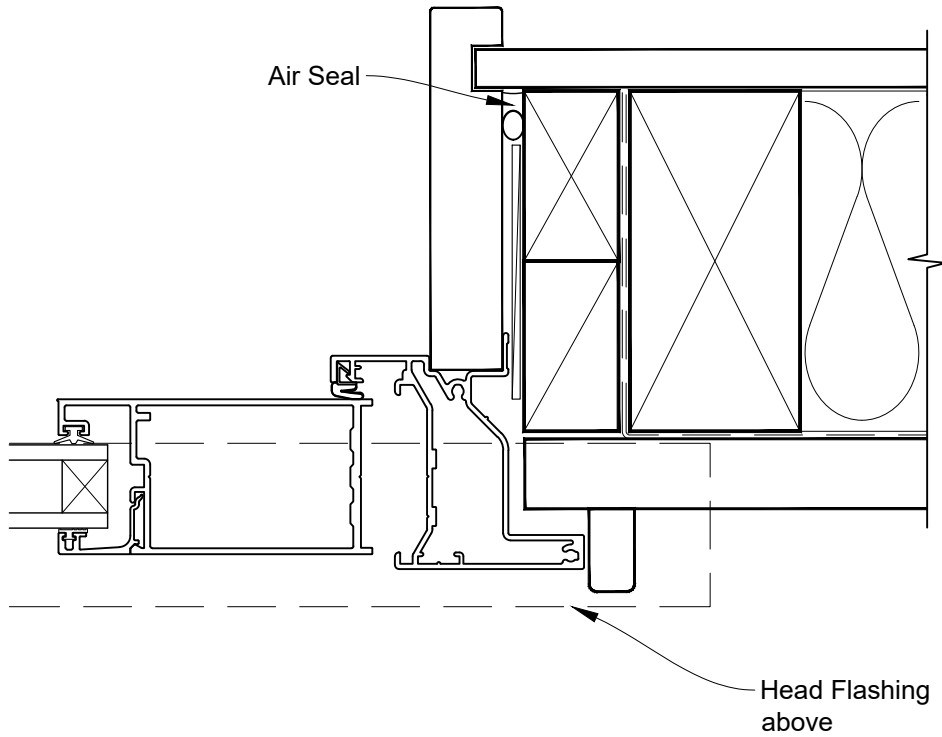


**INSTALLATION DETAIL - ALTherm RESIDENTIAL
BIFOLD DOOR OPEN OUT ON RUSTICATED WEATHERBOARD
DIRECT FIXED CLADDING**

Date: 01.04.19

Scale: 1:2

CAD Ref.: ARBORW-DJ



**INSTALLATION DETAIL - ALTherm RESIDENTIAL
BIFOLD DOOR OPEN OUT ON RUSTICATED WEATHERBOARD
DIRECT FIXED CLADDING**

Date: 01.04.19

Scale: 1:2

CAD Ref.: ARBORW-DS

