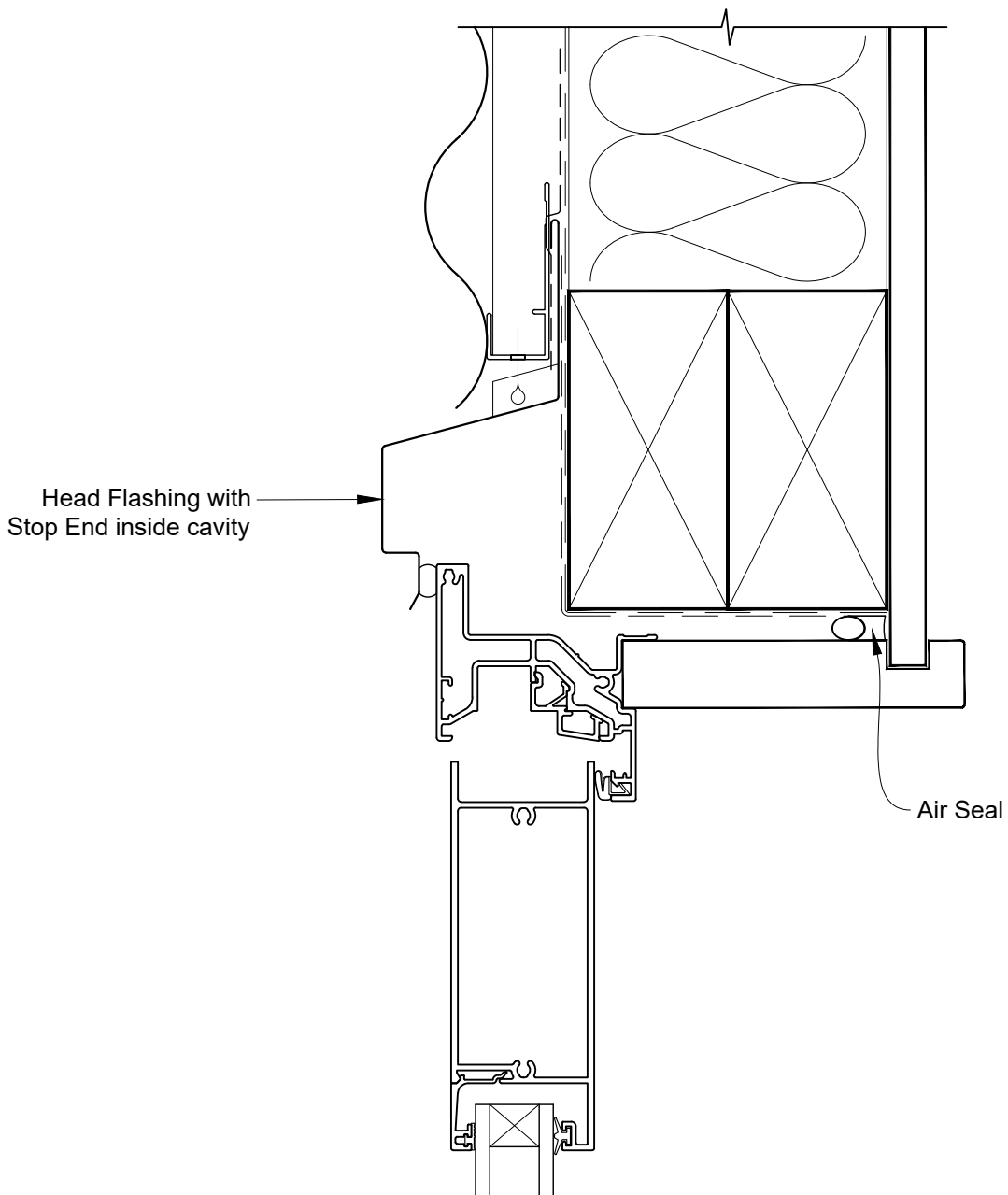


# INSTALLATION DETAIL - ALTHERM RESIDENTIAL BIFOLD DOOR OPEN OUT ON PROFILE METAL CAVITY CONSTRUCTION

Date: 01.04.19

Scale: 1:2

CAD Ref.: ARBOPM-CH

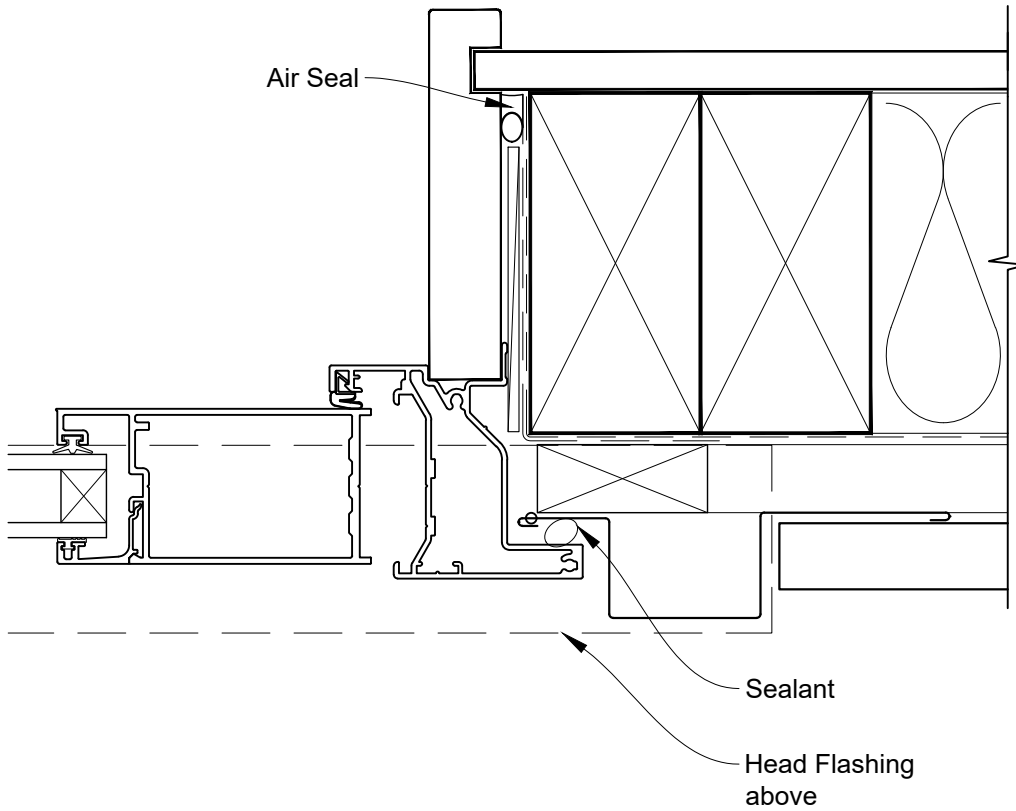


# INSTALLATION DETAIL - ALTHERM RESIDENTIAL BIFOLD DOOR OPEN OUT ON PROFILE METAL CAVITY CONSTRUCTION

Date: 01.04.19

Scale: 1:2

CAD Ref.: ARBOPM-CJ

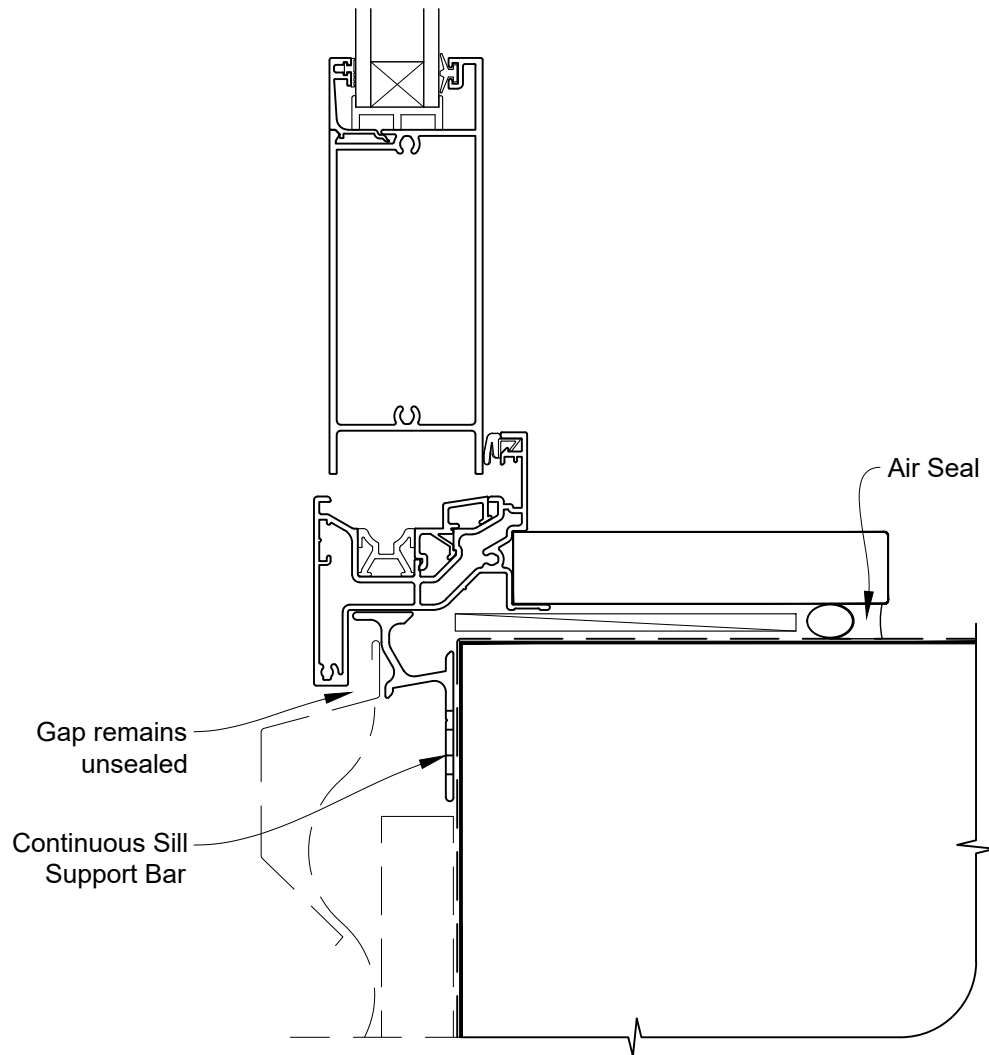


# INSTALLATION DETAIL - ALTHERM RESIDENTIAL BIFOLD DOOR OPEN OUT ON PROFILE METAL CAVITY CONSTRUCTION

Date: 01.04.19

Scale: 1:2

CAD Ref.: ARBOPM-CS

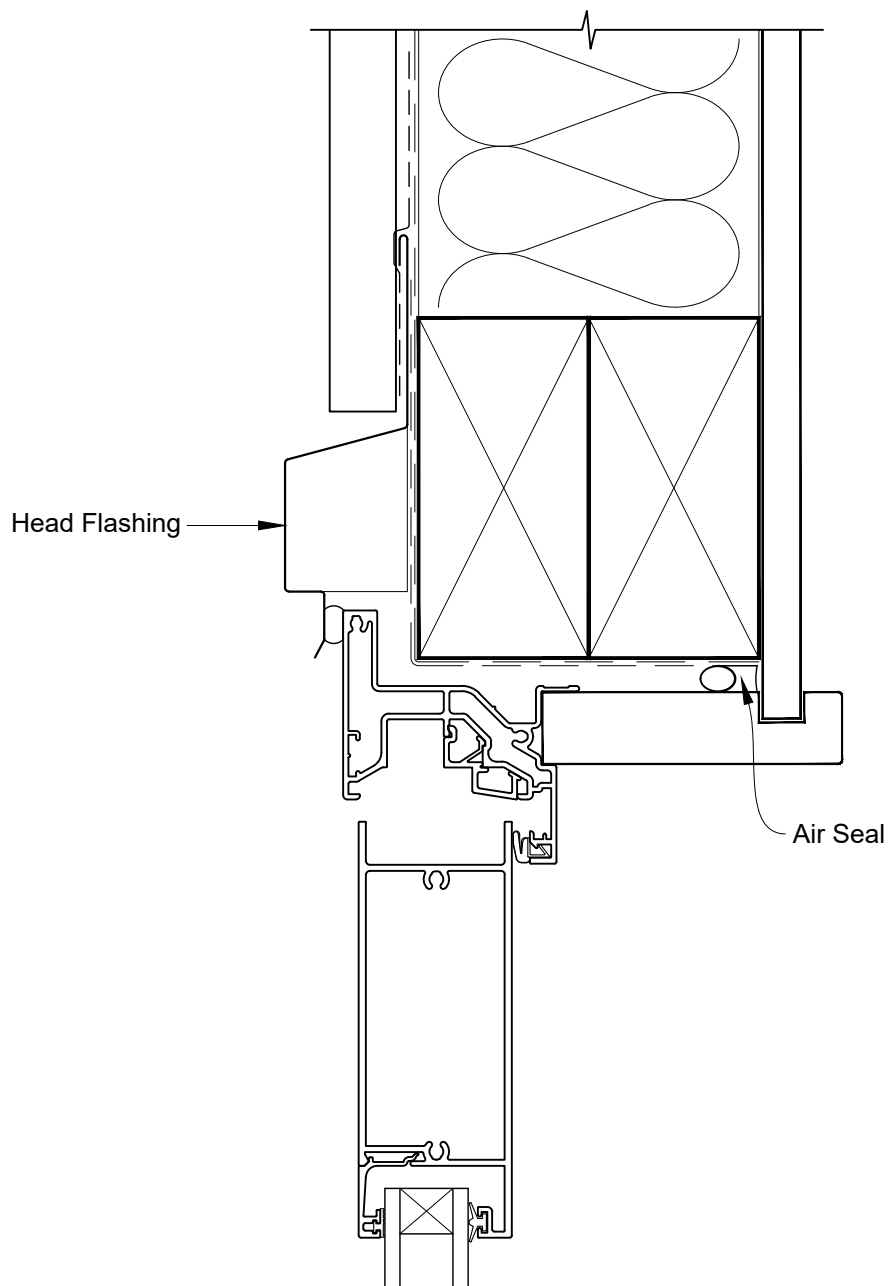


# INSTALLATION DETAIL - ALTherm RESIDENTIAL BIFOLD DOOR OPEN OUT ON PROFILE METAL DIRECT FIXED CLADDING

Date: 01.04.19

Scale: 1:2

CAD Ref.: ARBOPM-DH

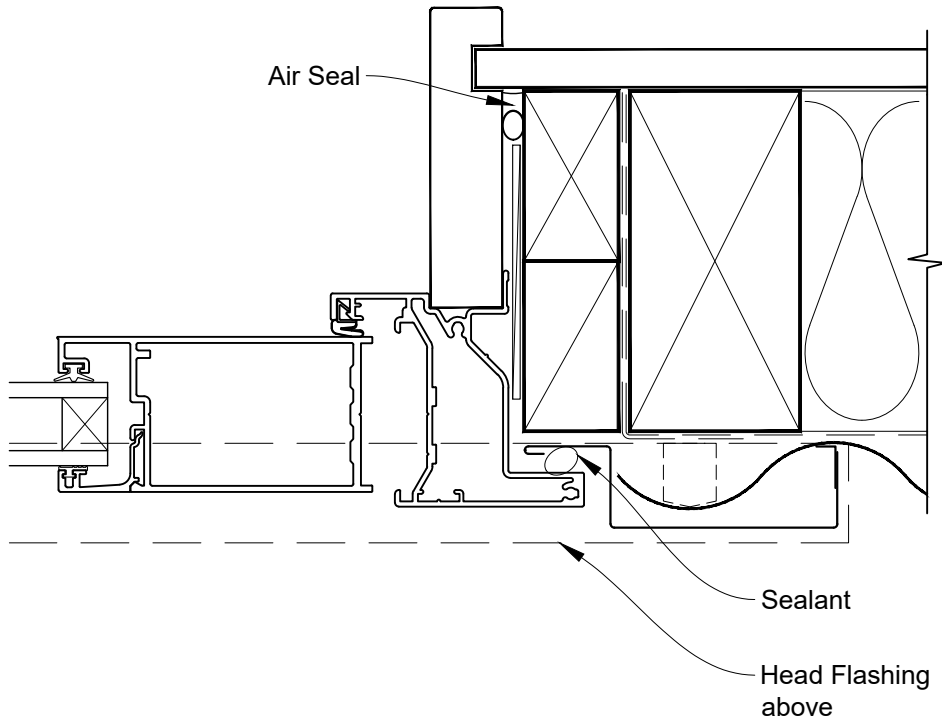


**INSTALLATION DETAIL - ALTherm RESIDENTIAL  
BIFOLD DOOR OPEN OUT ON PROFILE METAL  
DIRECT FIXED CLADDING**

Date: 01.04.19

Scale: 1:2

CAD Ref.: ARBOPM-DJ



# INSTALLATION DETAIL - ALTherm RESIDENTIAL BIFOLD DOOR OPEN OUT ON PROFILE METAL DIRECT FIXED CLADDING

Date: 01.04.19

Scale: 1:2

CAD Ref.: ARBOPM-DS

