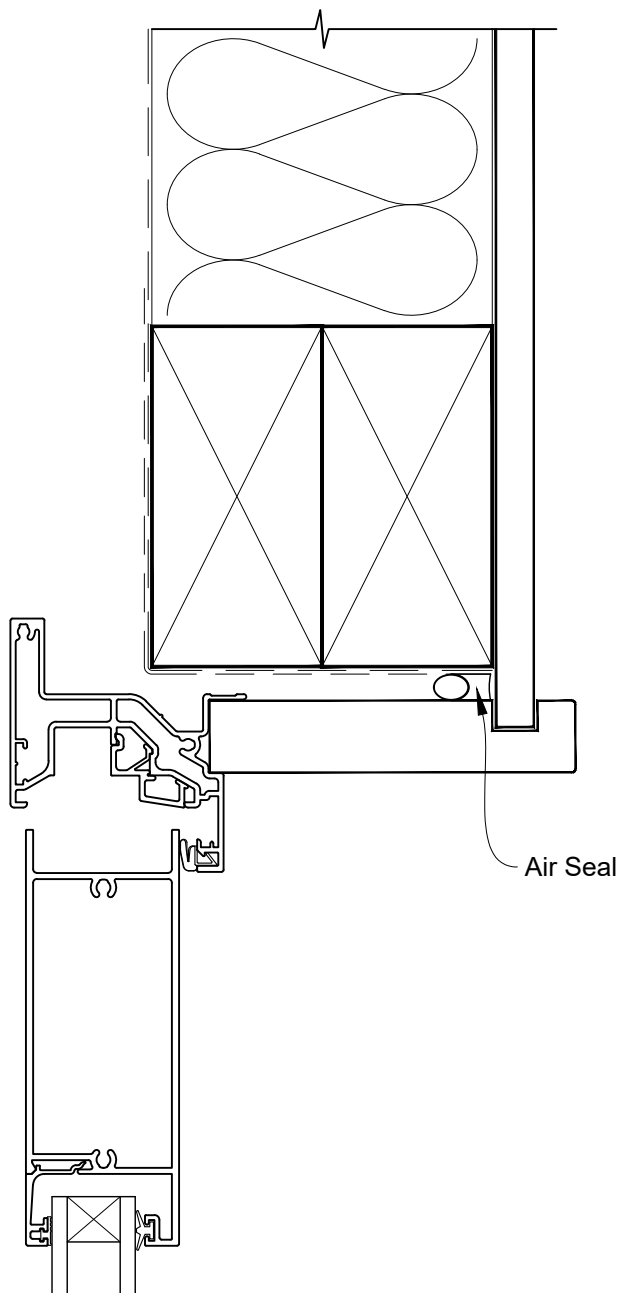


**INSTALLATION DETAIL - ALTHERM RESIDENTIAL  
BIFOLD DOOR OPEN OUT ON NO CLADDING  
CAVITY CONSTRUCTION**

Date: 01.04.19

Scale: 1:2

CAD Ref.: ARBONC-CH

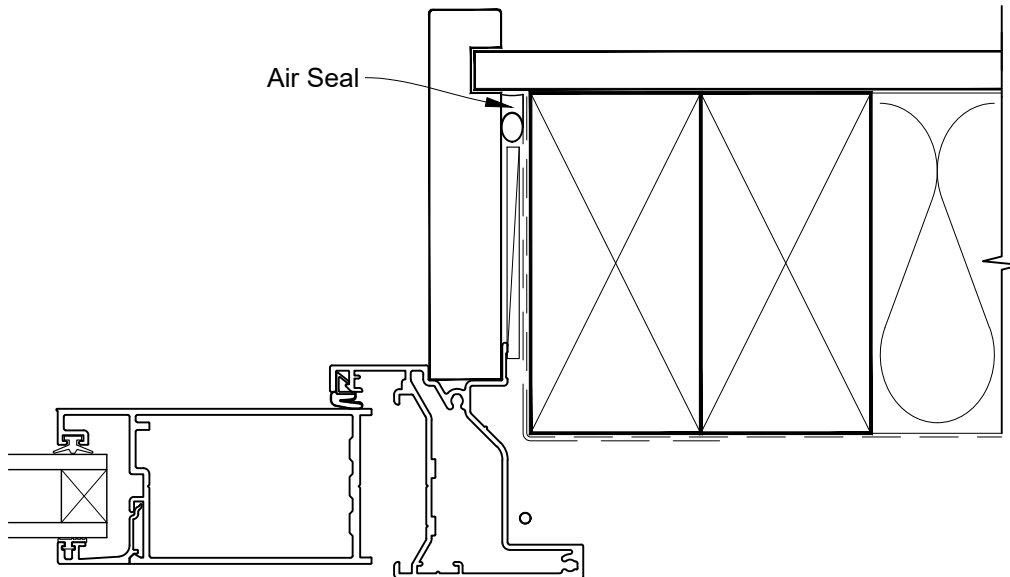


**INSTALLATION DETAIL - ALTHERM RESIDENTIAL  
BIFOLD DOOR OPEN OUT ON NO CLADDING  
CAVITY CONSTRUCTION**

Date: 01.04.19

Scale: 1:2

CAD Ref.: ARBONC-CJ

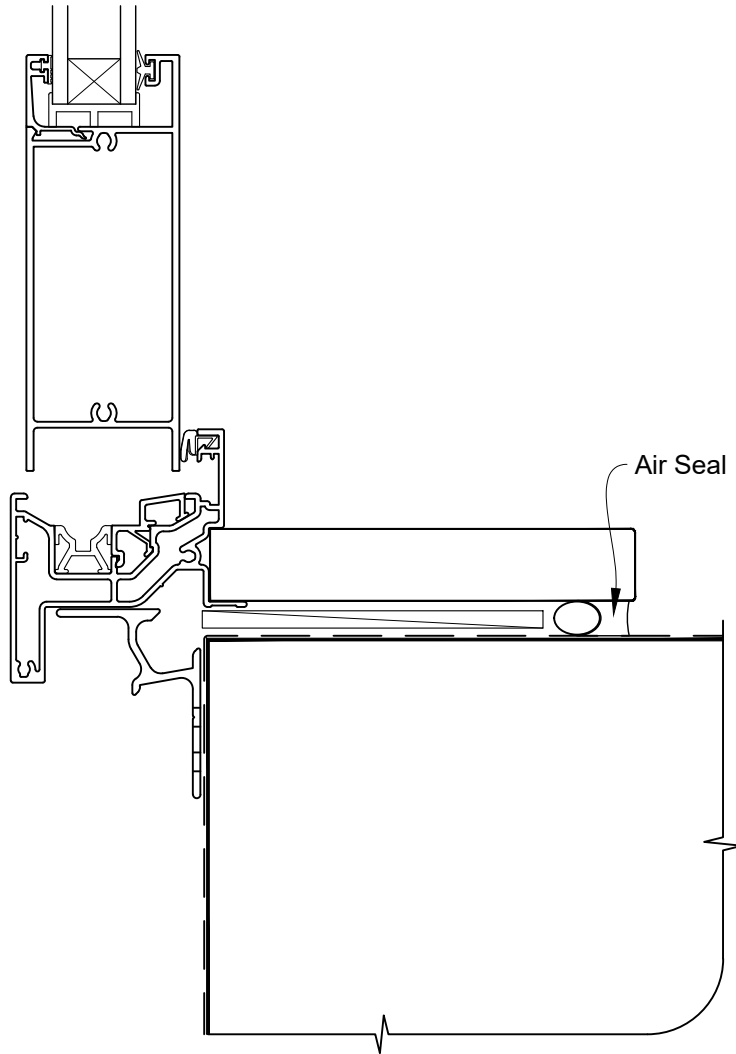


**INSTALLATION DETAIL - ALTHERM RESIDENTIAL  
BIFOLD DOOR OPEN OUT ON NO CLADDING  
CAVITY CONSTRUCTION**

Date: 01.04.19

Scale: 1:2

CAD Ref.: ARBONC-CS

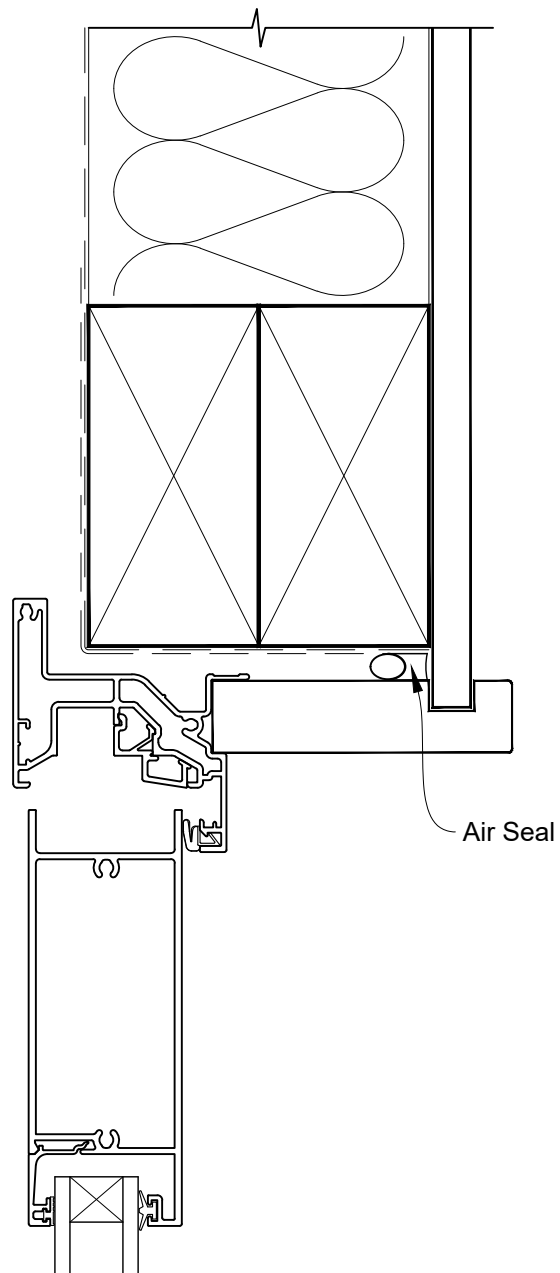


**INSTALLATION DETAIL - ALTHERM RESIDENTIAL  
BIFOLD DOOR OPEN OUT ON NO CLADDING  
DIRECT FIXED CLADDING**

Date: 01.04.19

Scale: 1:2

CAD Ref.: ARBONC-DH

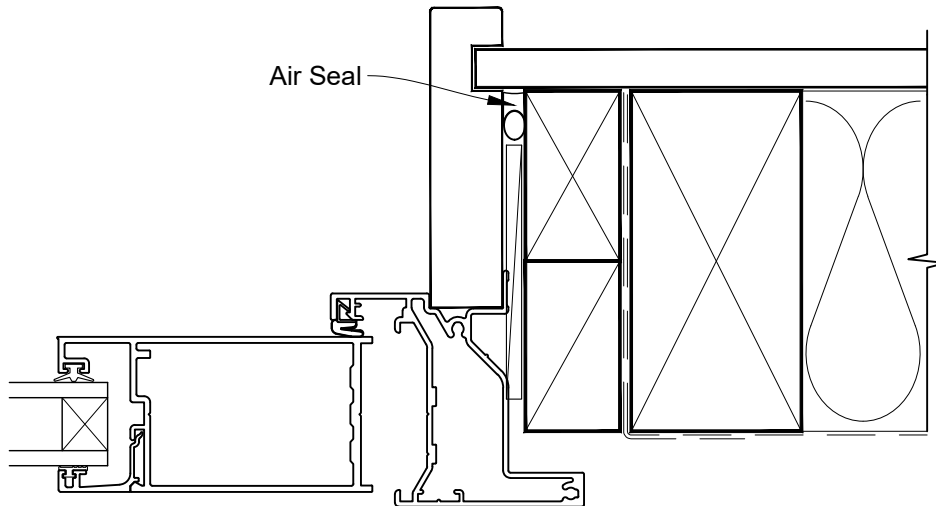


**INSTALLATION DETAIL - ALTHERM RESIDENTIAL  
BIFOLD DOOR OPEN OUT ON NO CLADDING  
DIRECT FIXED CLADDING**

Date: 01.04.19

Scale: 1:2

CAD Ref.: ARBONC-DJ



**INSTALLATION DETAIL - ALTHERM RESIDENTIAL  
BIFOLD DOOR OPEN OUT ON NO CLADDING  
DIRECT FIXED CLADDING**

Date: 01.04.19

Scale: 1:2

CAD Ref.: ARBONC-DS

