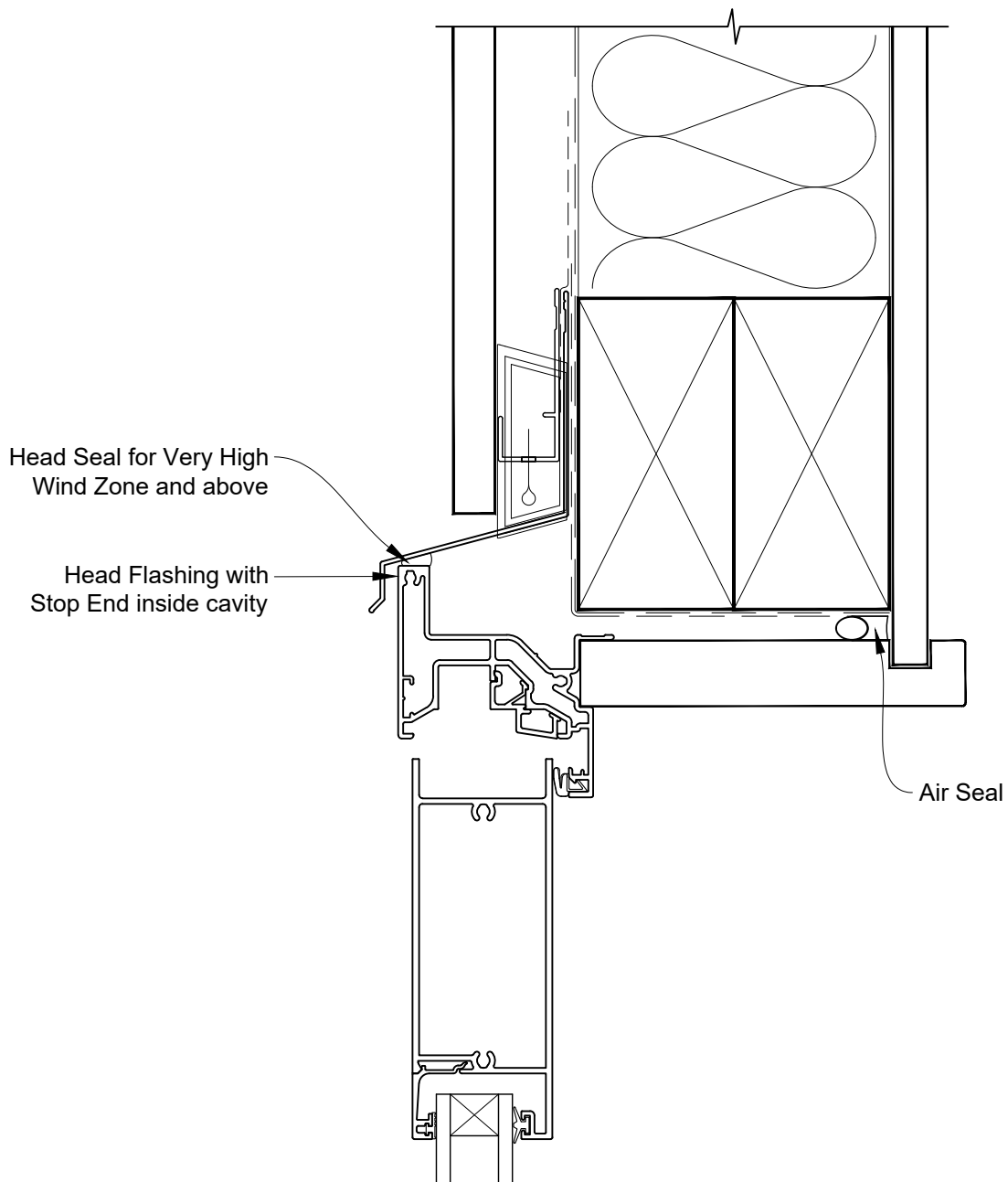


# INSTALLATION DETAIL - ALTHERM RESIDENTIAL BIFOLD DOOR OPEN OUT ON FLAT SHEET CAVITY CONSTRUCTION

Date: 01.04.19

Scale: 1:2

CAD Ref.: ARBOFS-CH

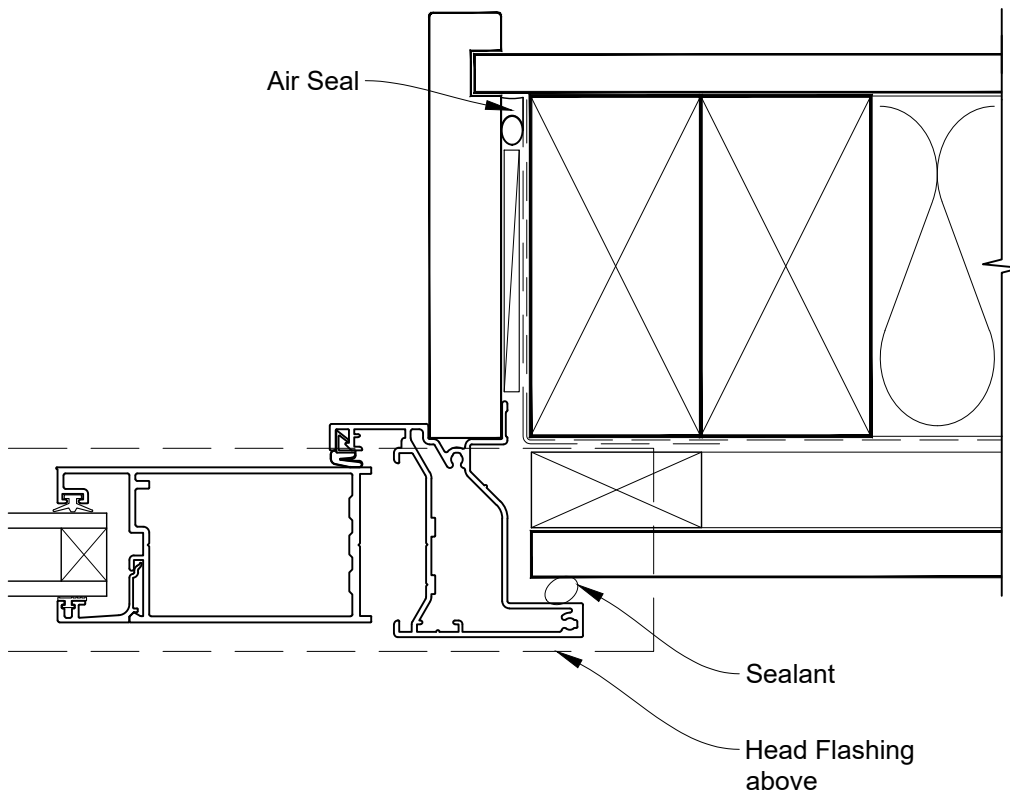


**INSTALLATION DETAIL - ALTHERM RESIDENTIAL  
BIFOLD DOOR OPEN OUT ON FLAT SHEET  
CAVITY CONSTRUCTION**

Date: 01.04.19

Scale: 1:2

CAD Ref.: ARBOFS-CJ

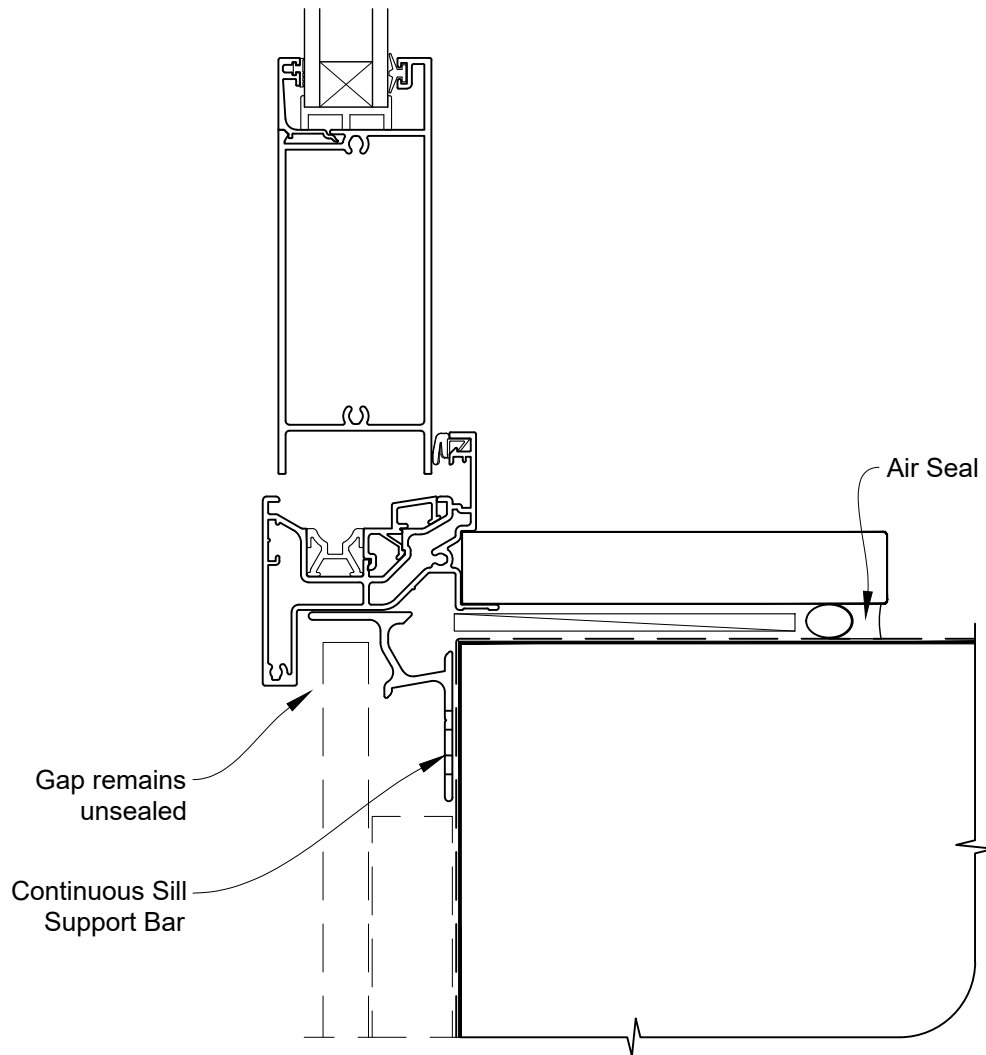


**INSTALLATION DETAIL - ALTHERM RESIDENTIAL  
BIFOLD DOOR OPEN OUT ON FLAT SHEET  
CAVITY CONSTRUCTION**

Date: 01.04.19

Scale: 1:2

CAD Ref.: ARBOFS-CS

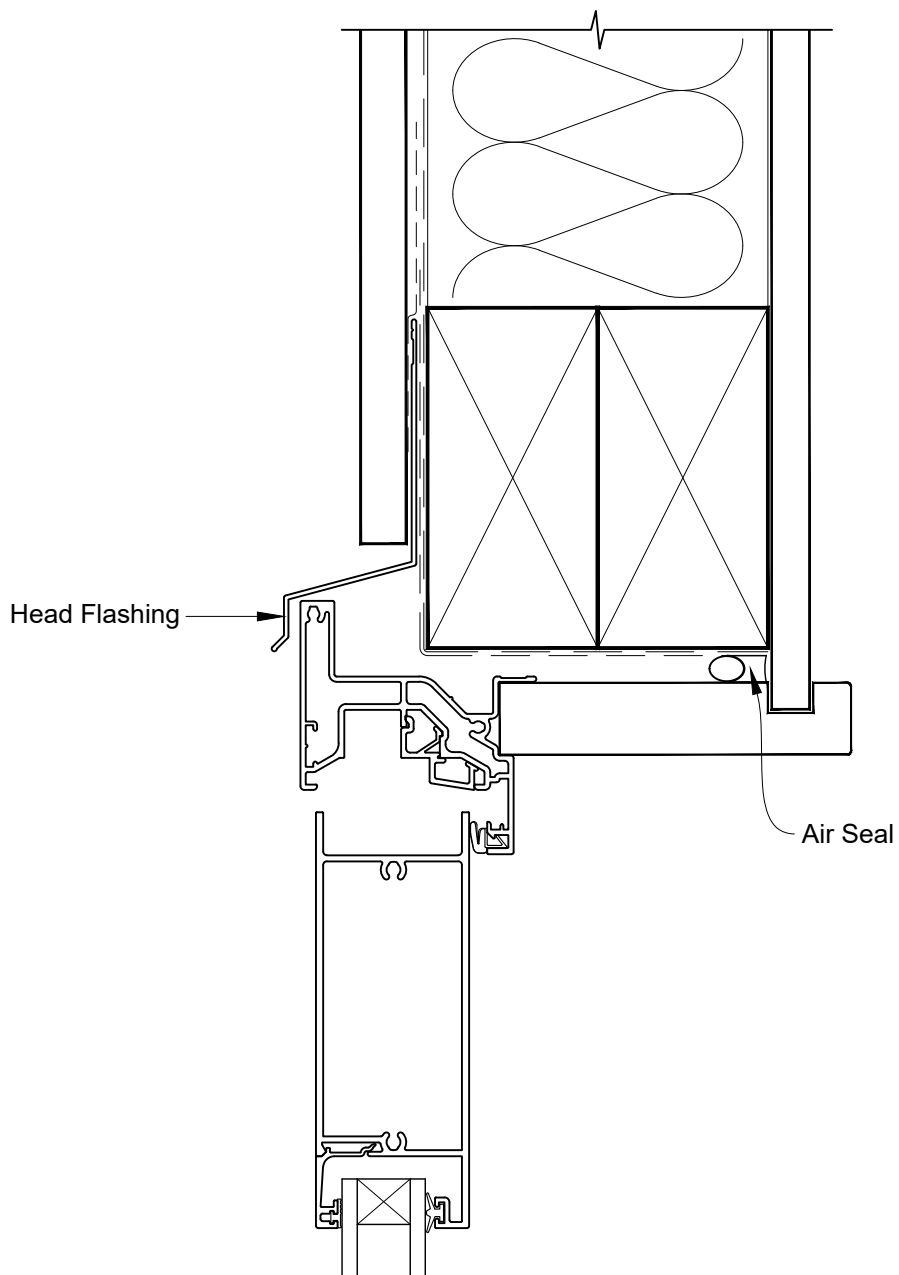


**INSTALLATION DETAIL - ALTHERM RESIDENTIAL  
BIFOLD DOOR OPEN OUT ON FLAT SHEET  
DIRECT FIXED CLADDING**

Date: 01.04.19

Scale: 1:2

CAD Ref.: ARBOFS-DH

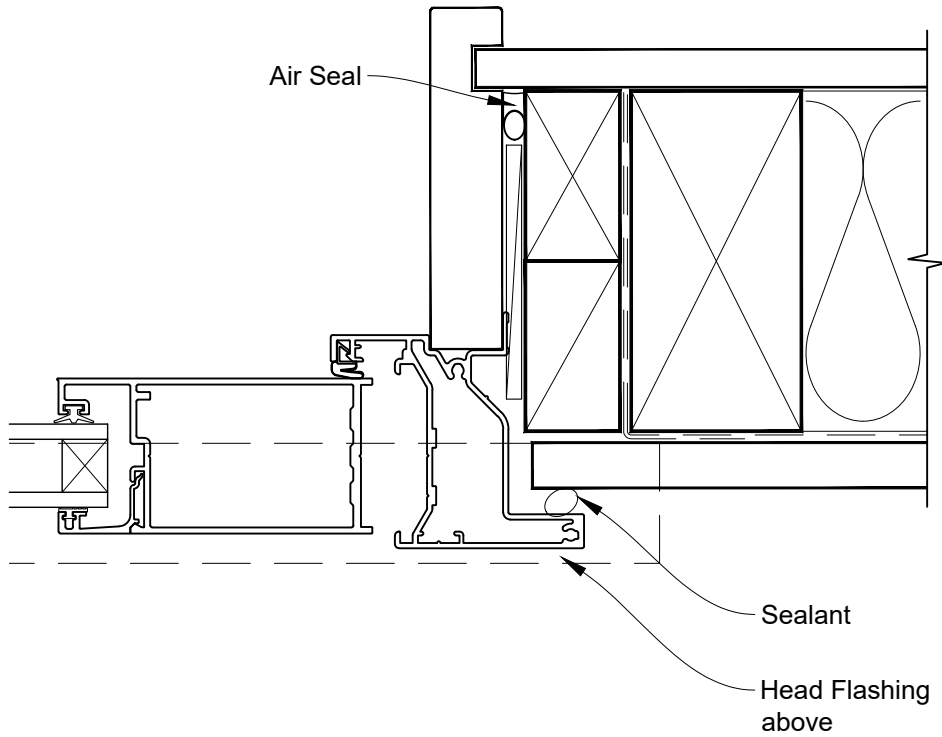


**INSTALLATION DETAIL - ALTHERM RESIDENTIAL  
BIFOLD DOOR OPEN OUT ON FLAT SHEET  
DIRECT FIXED CLADDING**

Date: 01.04.19

Scale: 1:2

CAD Ref.: ARBOFS-DJ



**INSTALLATION DETAIL - ALTherm RESIDENTIAL  
BIFOLD DOOR OPEN OUT ON FLAT SHEET  
DIRECT FIXED CLADDING**

Date: 01.04.19

Scale: 1:2

CAD Ref.: ARBOFS-DS

