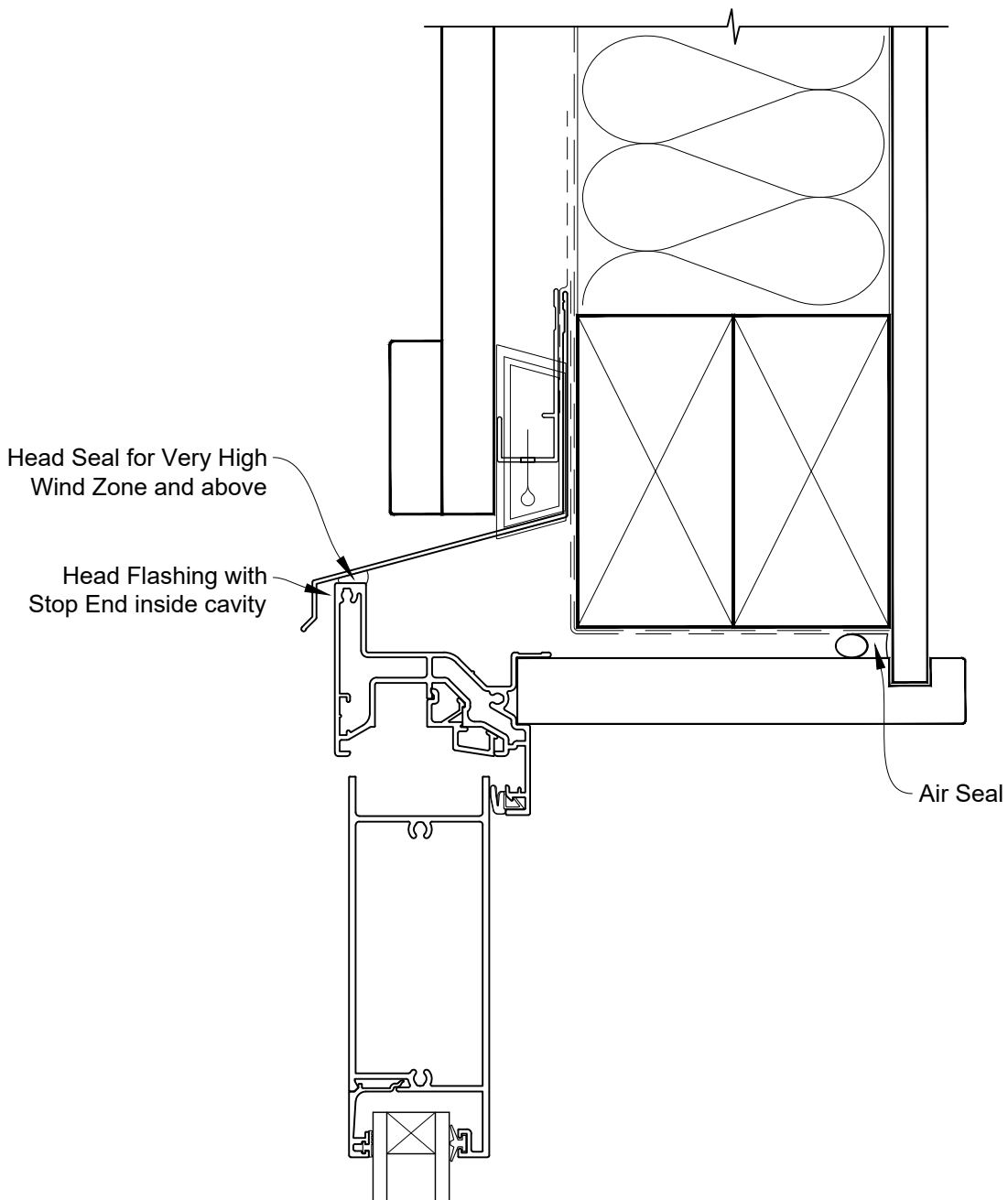


# INSTALLATION DETAIL - ALTHERM RESIDENTIAL BIFOLD DOOR OPEN OUT ON BOARD & BATTEN CAVITY CONSTRUCTION

Date: 01.04.19

Scale: 1:2

CAD Ref.: ARBOBB-CH

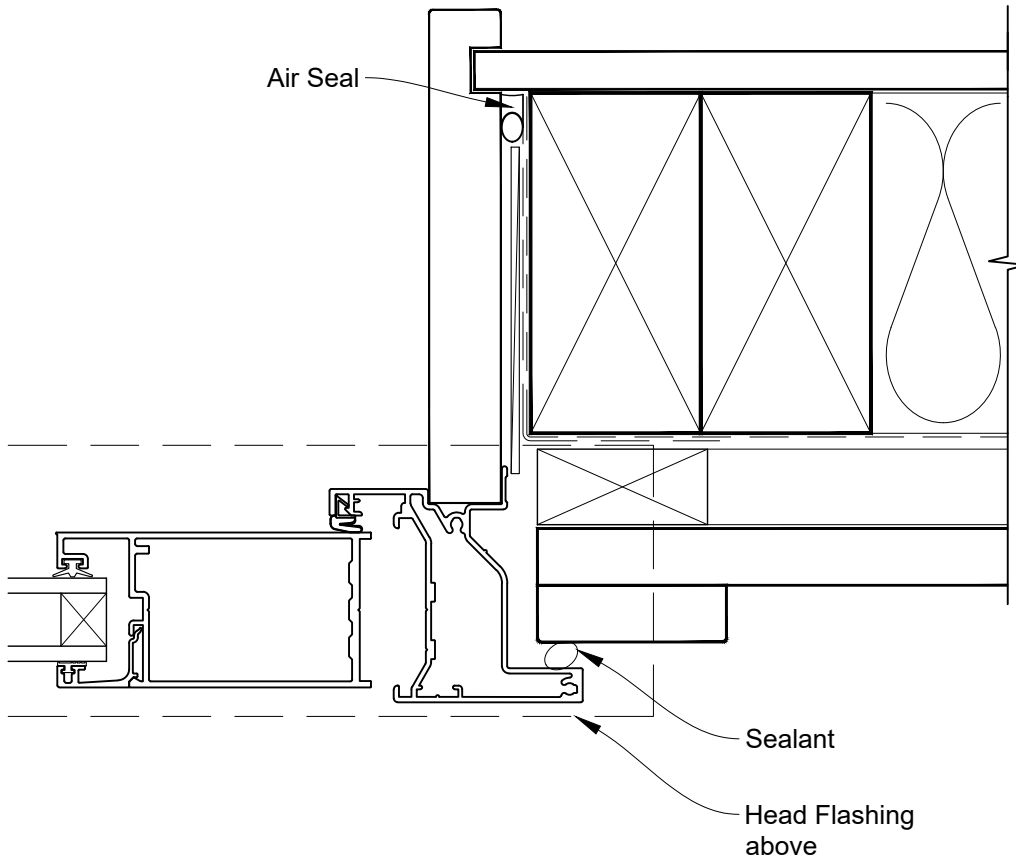


# INSTALLATION DETAIL - ALTHERM RESIDENTIAL BIFOLD DOOR OPEN OUT ON BOARD & BATTEN CAVITY CONSTRUCTION

Date: 01.04.19

Scale: 1:2

CAD Ref.: ARBOBB-CJ

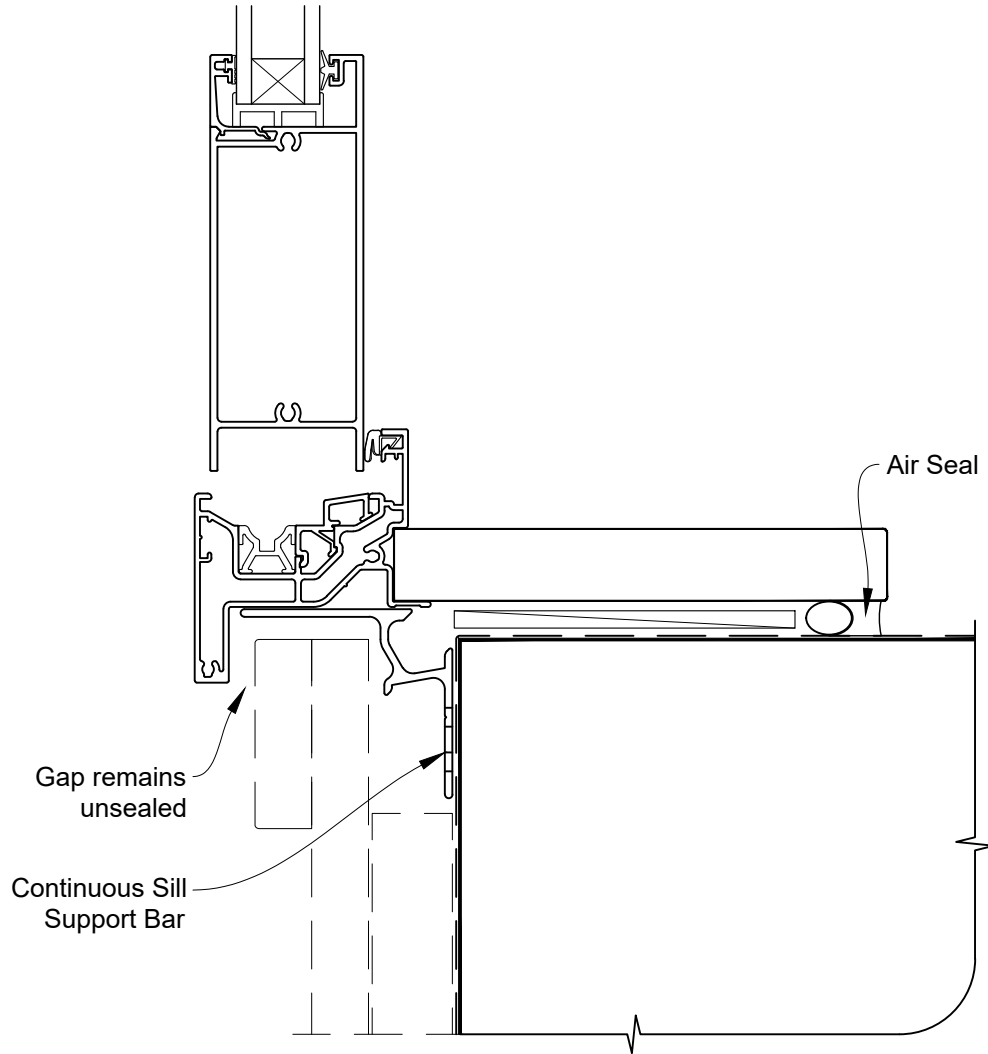


# INSTALLATION DETAIL - ALTHERM RESIDENTIAL BIFOLD DOOR OPEN OUT ON BOARD & BATTEN CAVITY CONSTRUCTION

Date: 01.04.19

Scale: 1:2

CAD Ref.: ARBOBB-CS

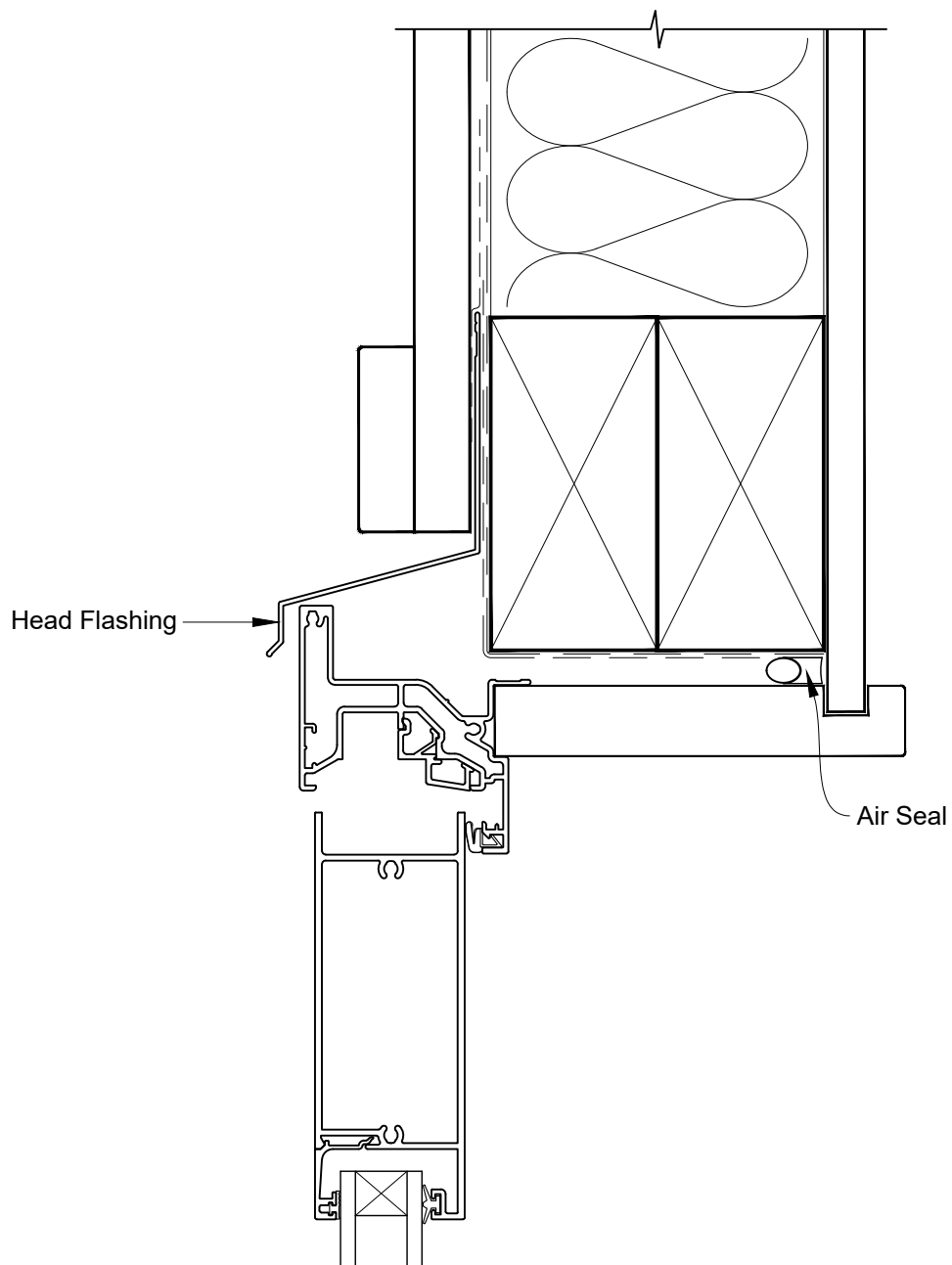


**INSTALLATION DETAIL - ALTHERM RESIDENTIAL  
BIFOLD DOOR OPEN OUT ON BOARD & BATTEN  
DIRECT FIXED CLADDING**

Date: 01.04.19

Scale: 1:2

CAD Ref.: ARBOBB-DH

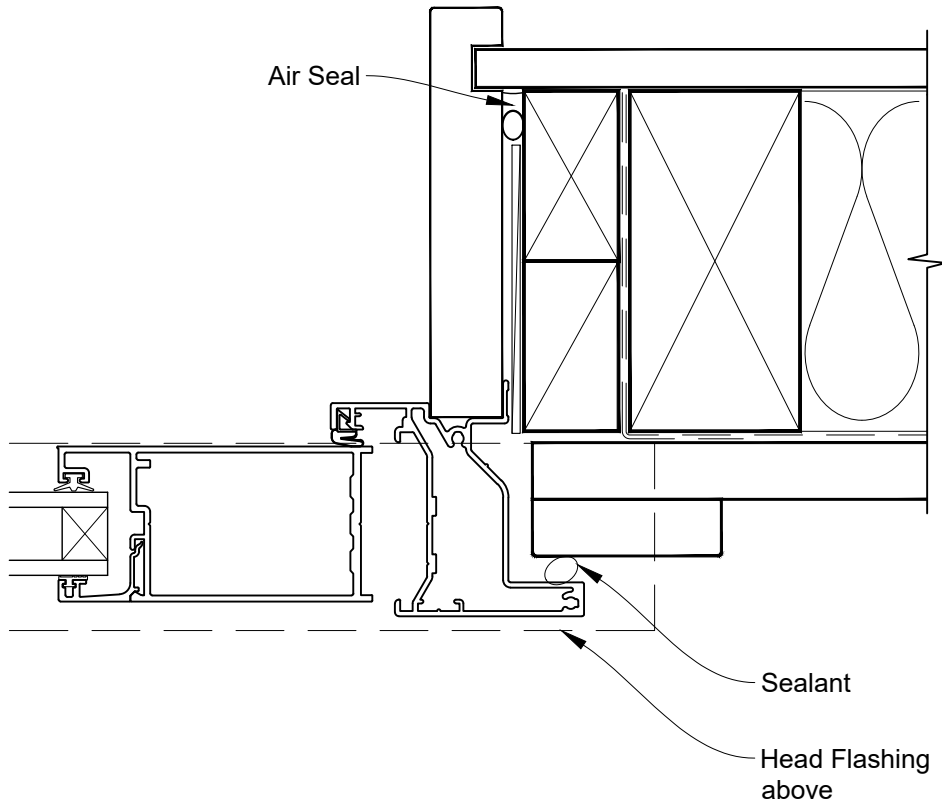


# INSTALLATION DETAIL - ALTherm RESIDENTIAL BIFOLD DOOR OPEN OUT ON BOARD & BATTEN DIRECT FIXED CLADDING

Date: 01.04.19

Scale: 1:2

CAD Ref.: ARBOBB-DJ



# INSTALLATION DETAIL - ALTherm RESIDENTIAL BIFOLD DOOR OPEN OUT ON BOARD & BATTEN DIRECT FIXED CLADDING

Date: 01.04.19

Scale: 1:2

CAD Ref.: ARBOBB-DS

