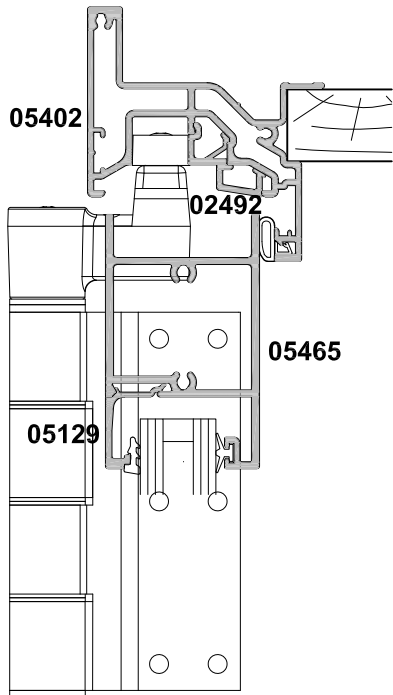


BI-FOLD WINDOW TWO PANEL CROSS SECTION

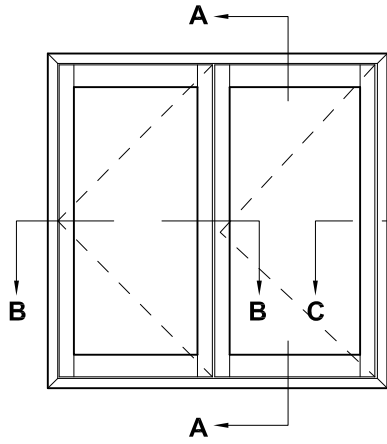
Cad Ref. ABW01-0

Scale 1:2

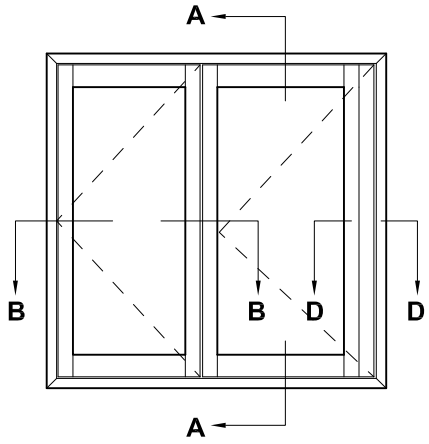
Date 01.04.19



SECTION A-A



STANDARD BI-FOLD



LAY-BACK OPTION

