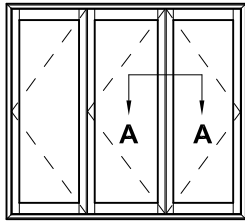


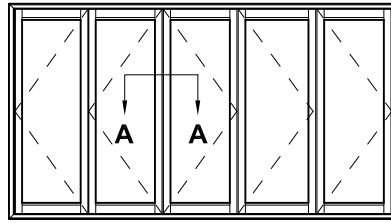
BI-FOLD MEETING STILES

CROSS SECTION

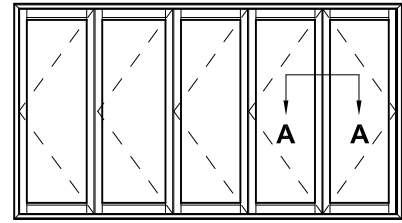
Cad Ref. ABD05-0 Scale 1:2 Date 01.04.19



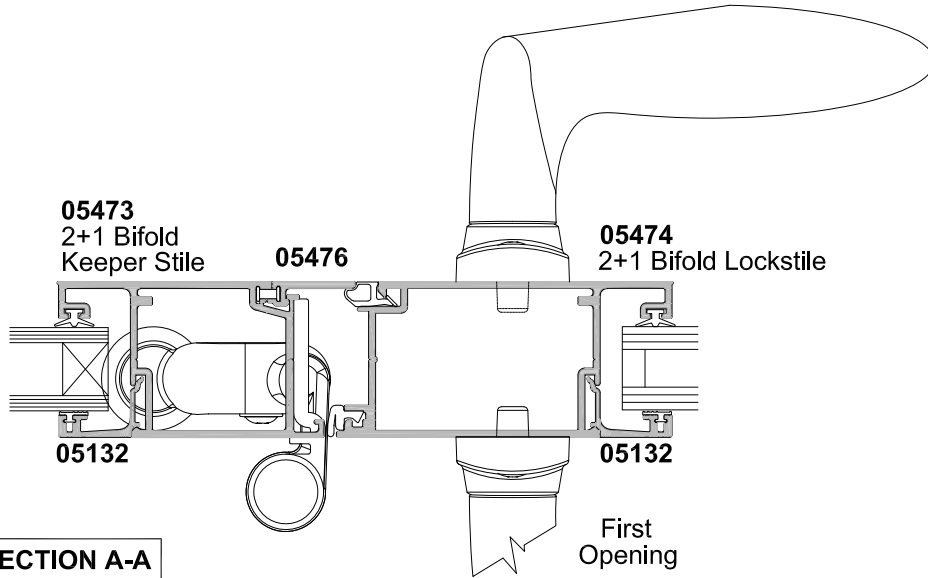
2 + 1 Panel



2 + 3 Panel

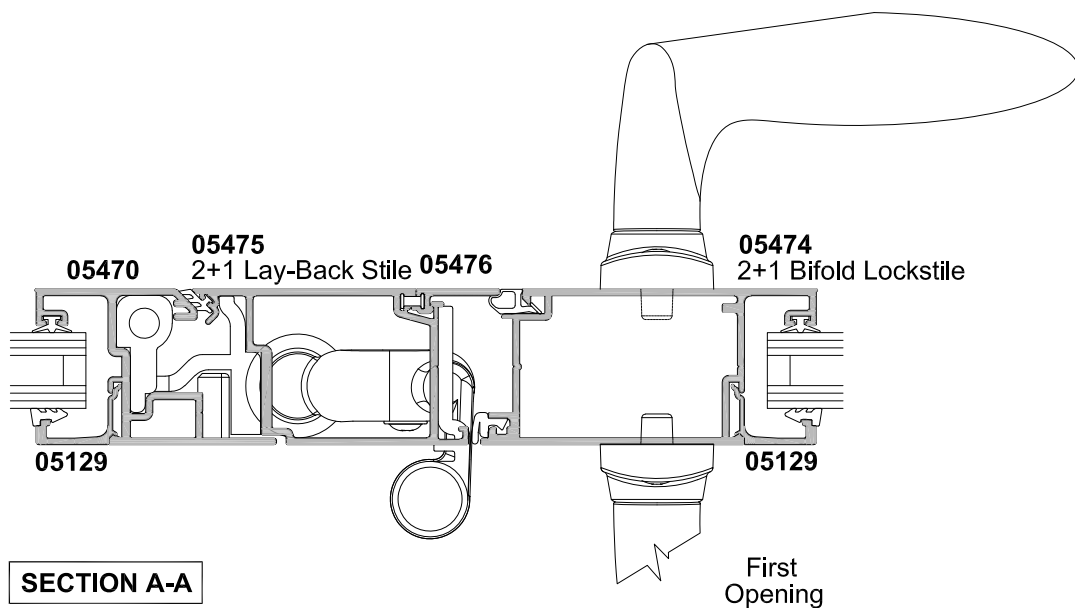


4 + 1 Panel



SECTION A-A

STANDARD BI-FOLD PANELS



SECTION A-A

LAY-BACK BI-FOLD PANELS
(Lay-Back Function on Two panel sides only)