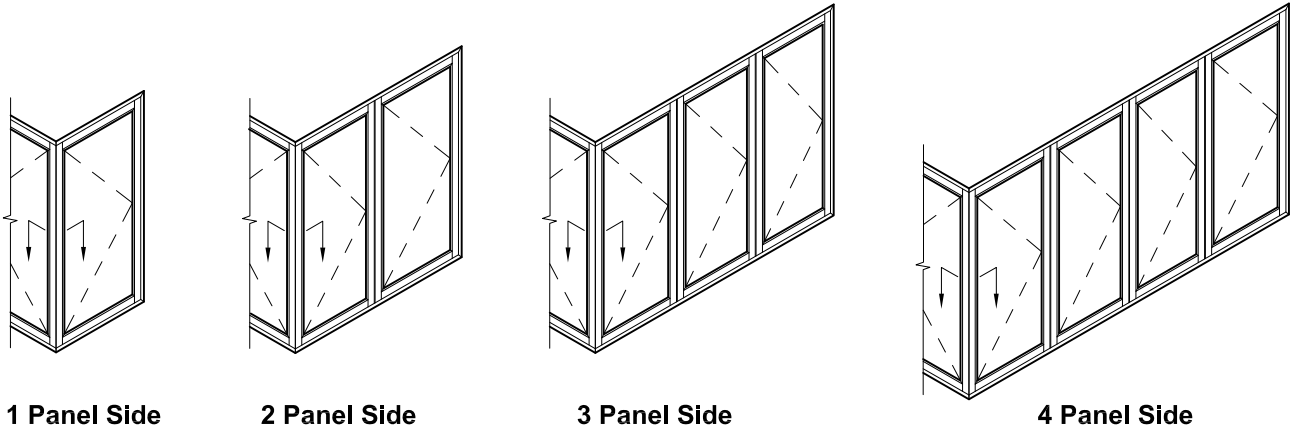


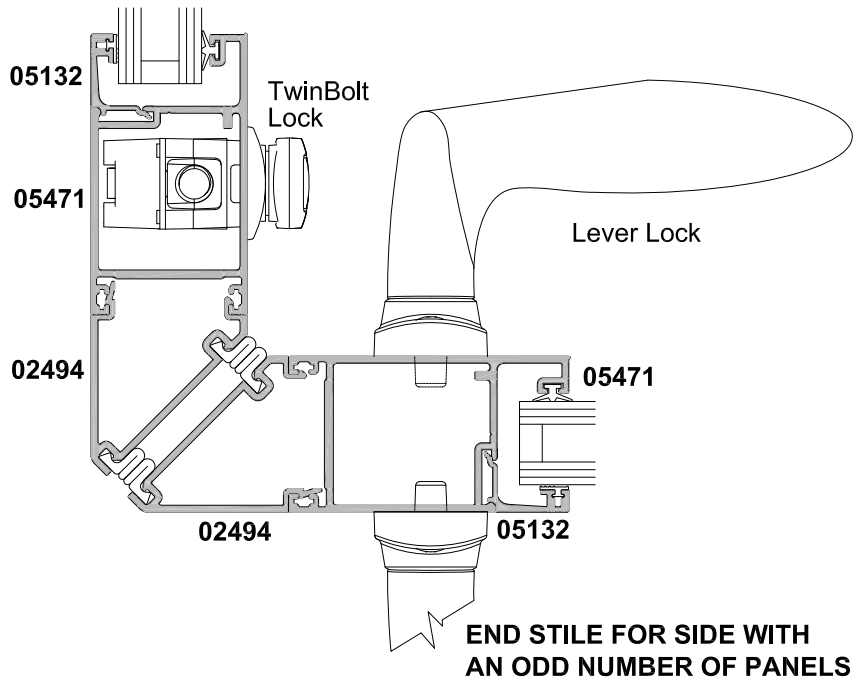
# BI-FOLD 90° MEETING STILES CROSS SECTION

Cad Ref. ABD06-0    Scale 1:2    Date 01.04.19

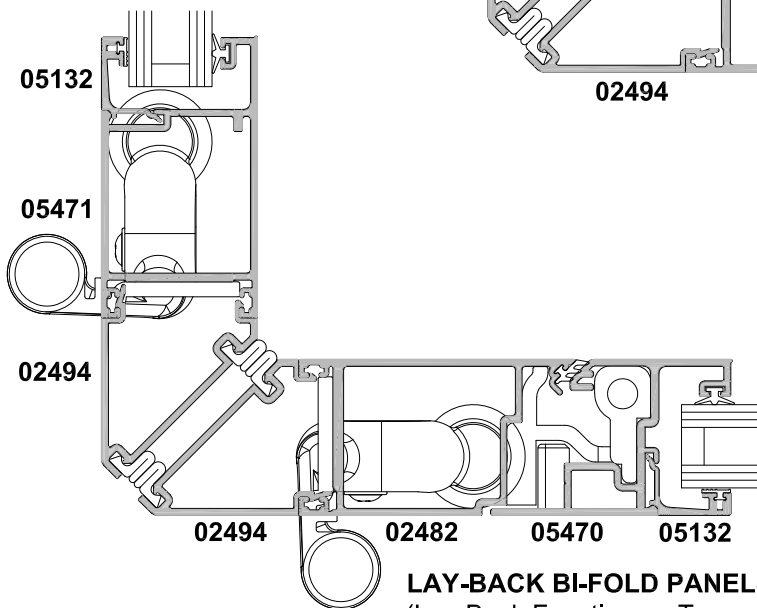


Panel numbers either side of the 90° corner can be arranged to suit most configurations, with the exception being Lay-Back Panels which can only be on a two panel side. Internal corner units are not possible.

### END STILE FOR SIDE WITH AN ODD NUMBER OF PANELS



### END STILE FOR SIDE WITH AN EVEN NUMBER OF PANELS



### LAY-BACK BI-FOLD PANELS (Lay-Back Function on Two panel sides only)