

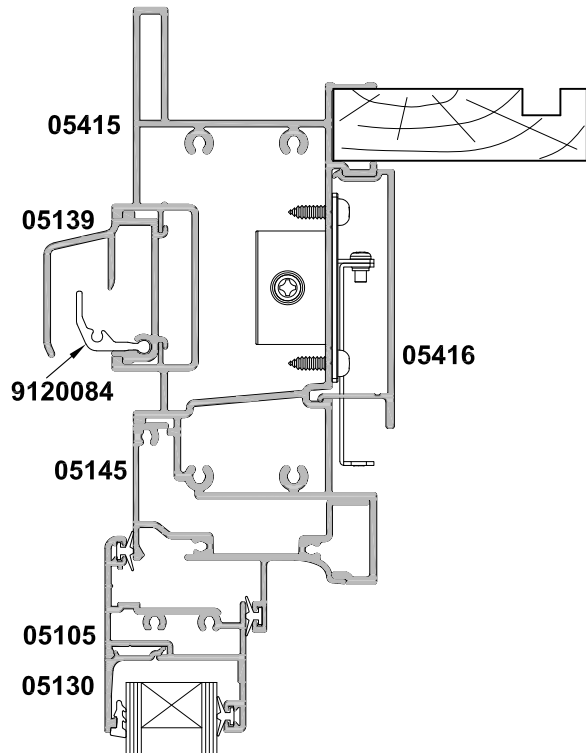
# AWNING WINDOW, DOUBLE GLAZED VENTIENT

## CROSS SECTION

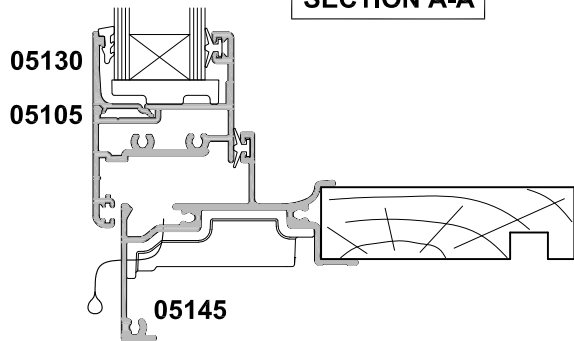
Cad Ref. AAW03-0

Scale 1:2

Date 01.04.19



**SECTION A-A**



**SECTION B-B**

