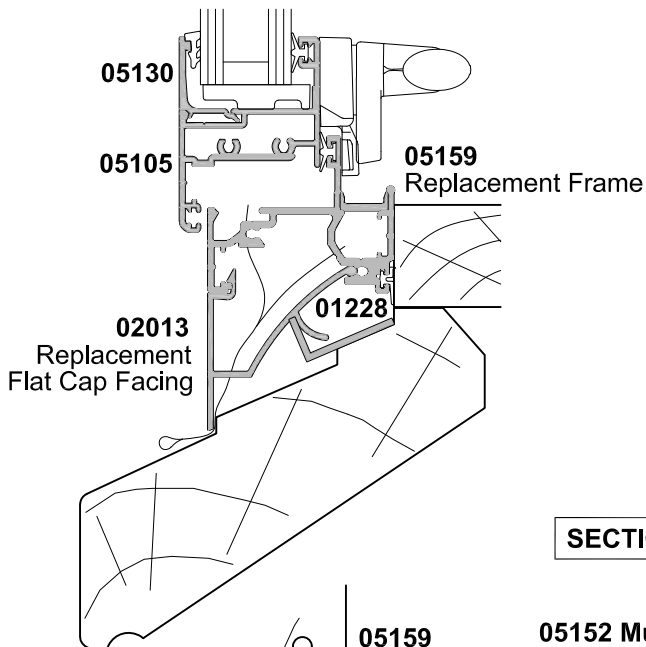
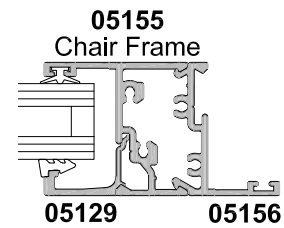
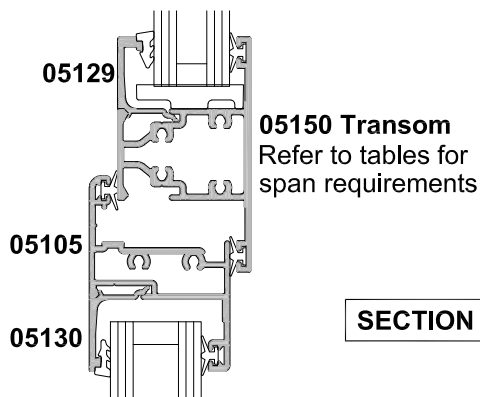
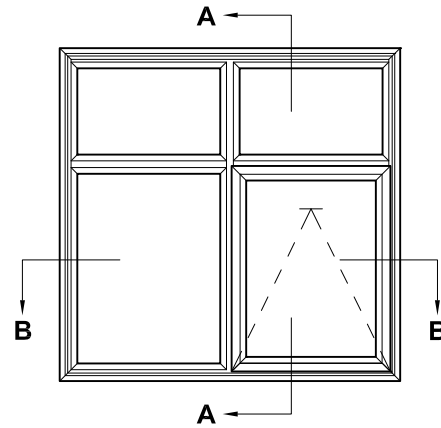
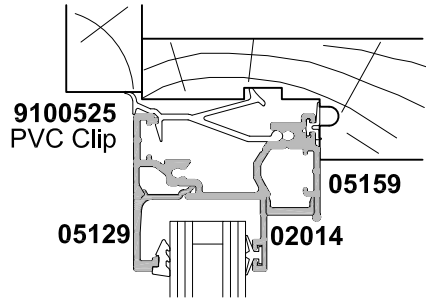


AWNING WINDOW REPLACEMENT FRAME AND CHAIR FRAME CROSS SECTION

Cad Ref. AAW04-0 Scale 1:2 Date 03.10.19



SECTION B-B

