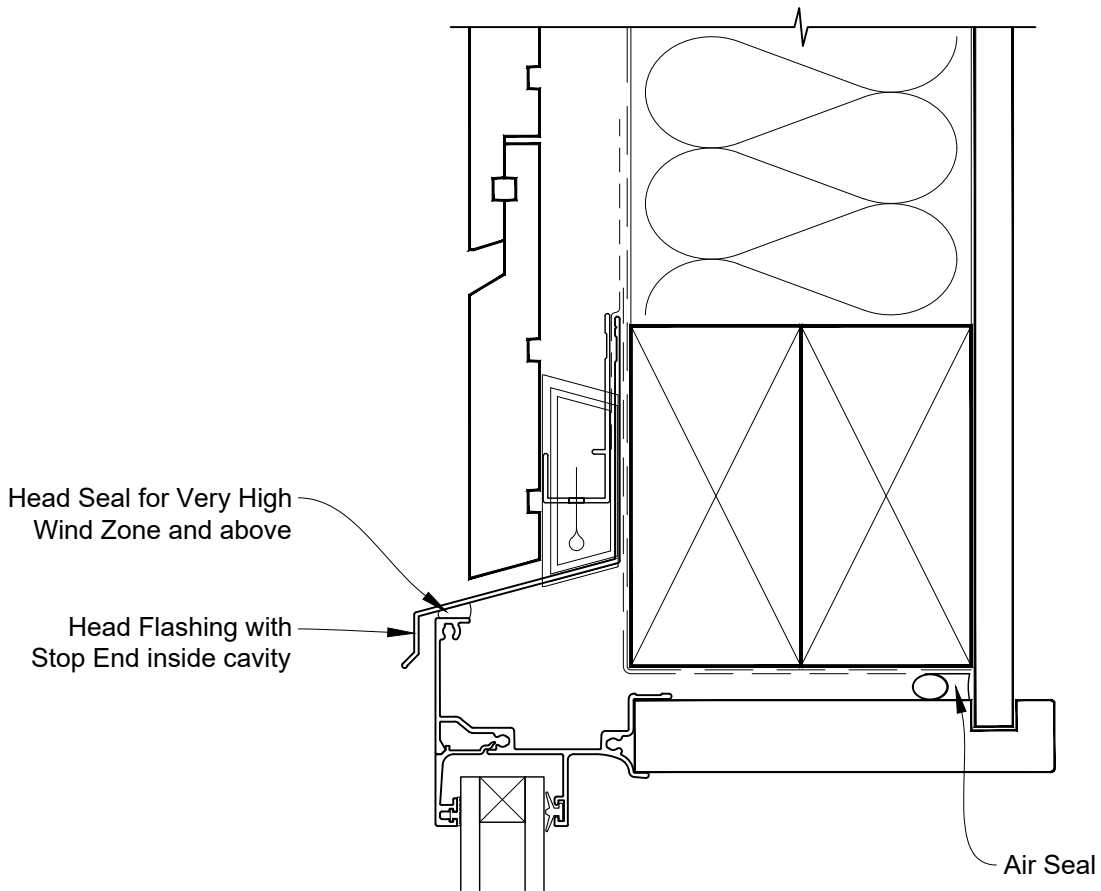


**INSTALLATION DETAIL - ALTHERM RESIDENTIAL
AWNING WINDOW ON RUSTICATED WEATHERBOARD
CAVITY CONSTRUCTION**

Date: 01.04.19

Scale: 1:2

CAD Ref.: ARAWRW-CH

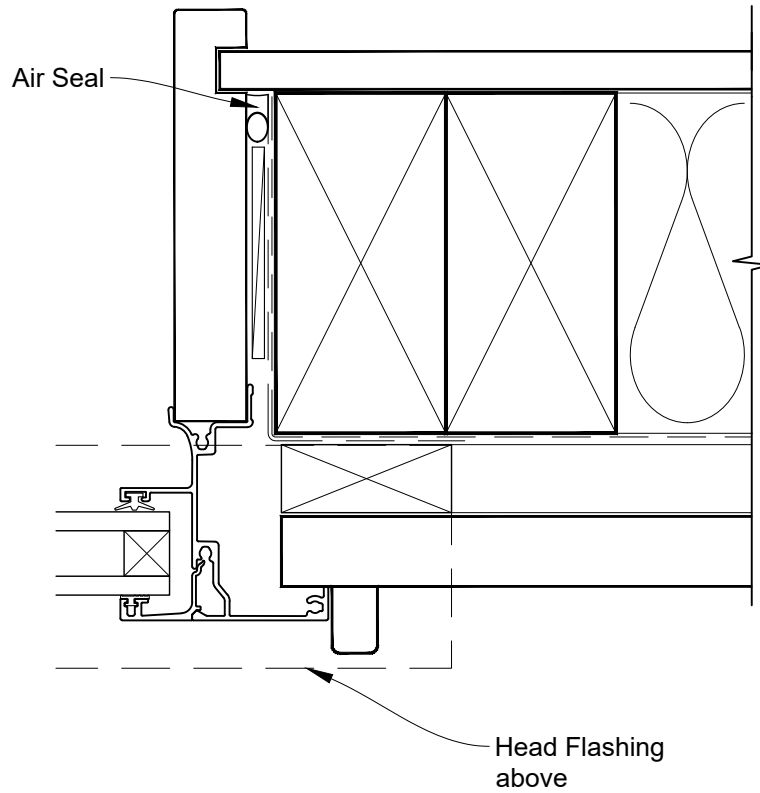


**INSTALLATION DETAIL - ALTherm RESIDENTIAL
AWNING WINDOW ON RUSTICATED WEATHERBOARD
CAVITY CONSTRUCTION**

Date: 01.04.19

Scale: 1:2

CAD Ref.: ARAWRW-CJ

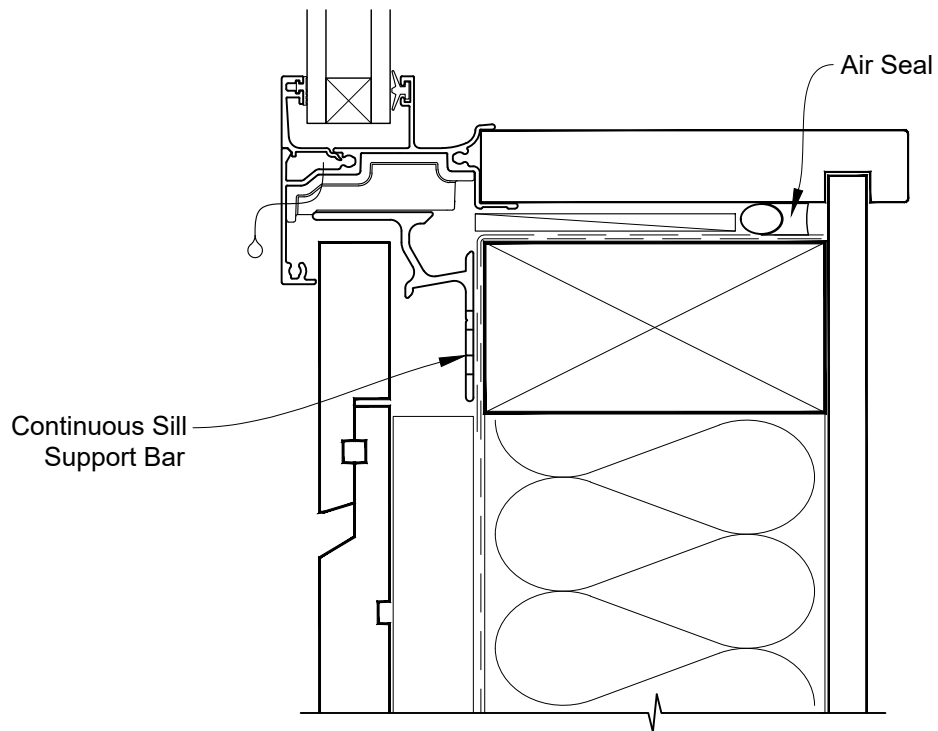


**INSTALLATION DETAIL - ALTHERM RESIDENTIAL
AWNING WINDOW ON RUSTICATED WEATHERBOARD
CAVITY CONSTRUCTION**

Date: 01.04.19

Scale: 1:2

CAD Ref.: ARAWRW-CS

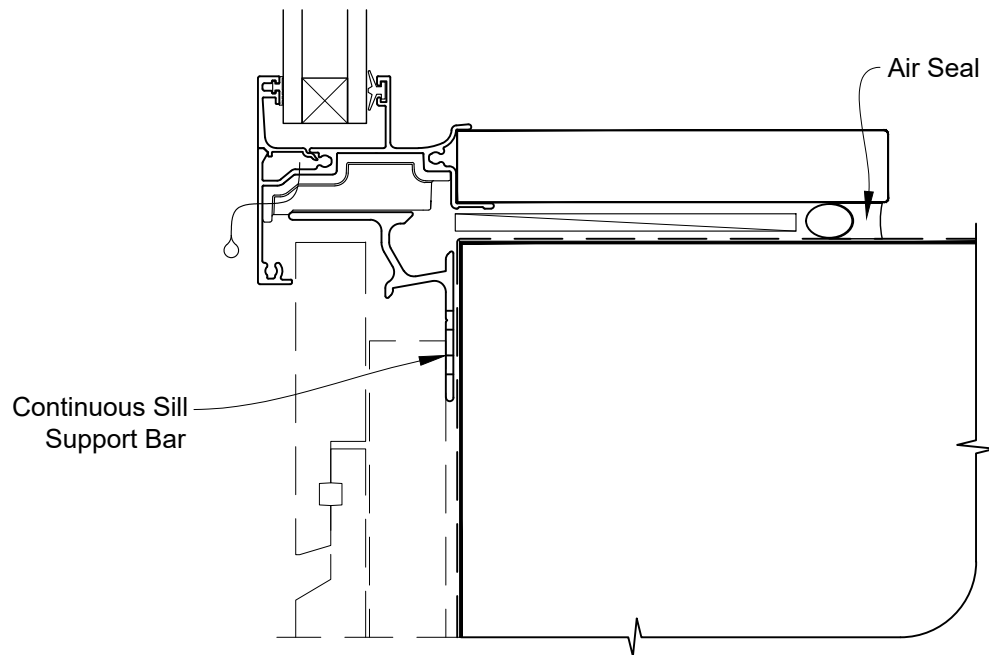


**INSTALLATION DETAIL - ALTHERM RESIDENTIAL
AWNING WINDOW ON RUSTICATED WEATHERBOARD
CAVITY CONSTRUCTION**

Date: 01.04.19

Scale: 1:2

CAD Ref.: ARAWRW-CS2

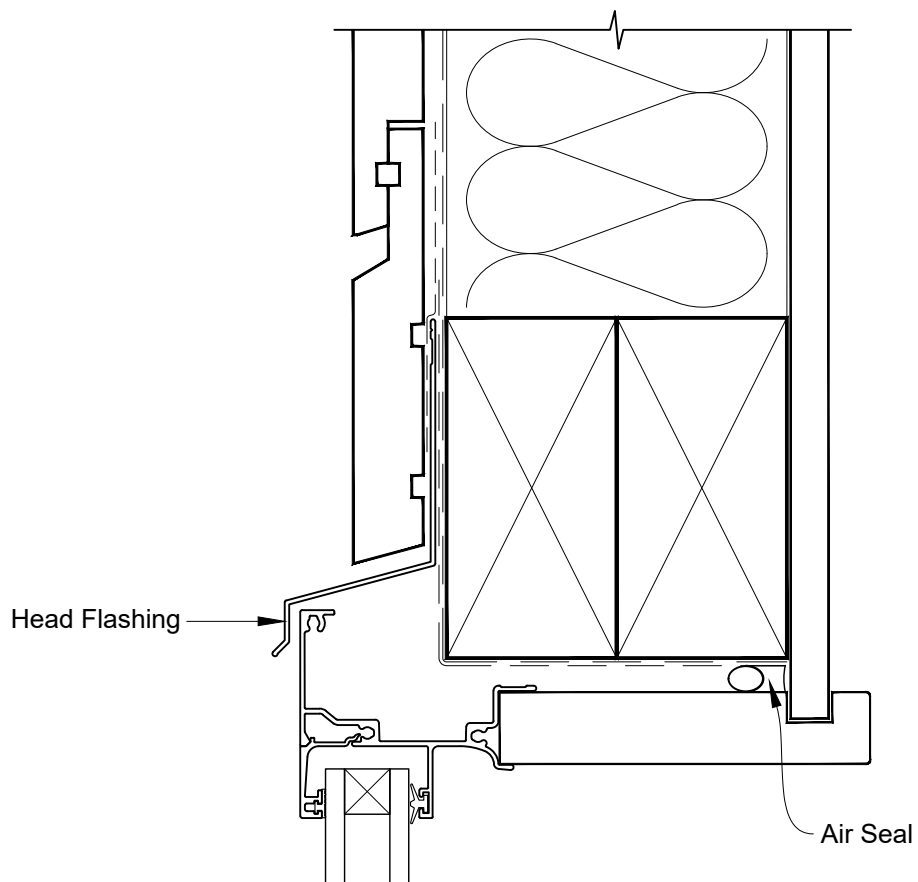


**INSTALLATION DETAIL - ALTHERM RESIDENTIAL
AWNING WINDOW ON RUSTICATED WEATHERBOARD
DIRECT FIXED CLADDING**

Date: 01.04.19

Scale: 1:2

CAD Ref.: ARAWRW-DH

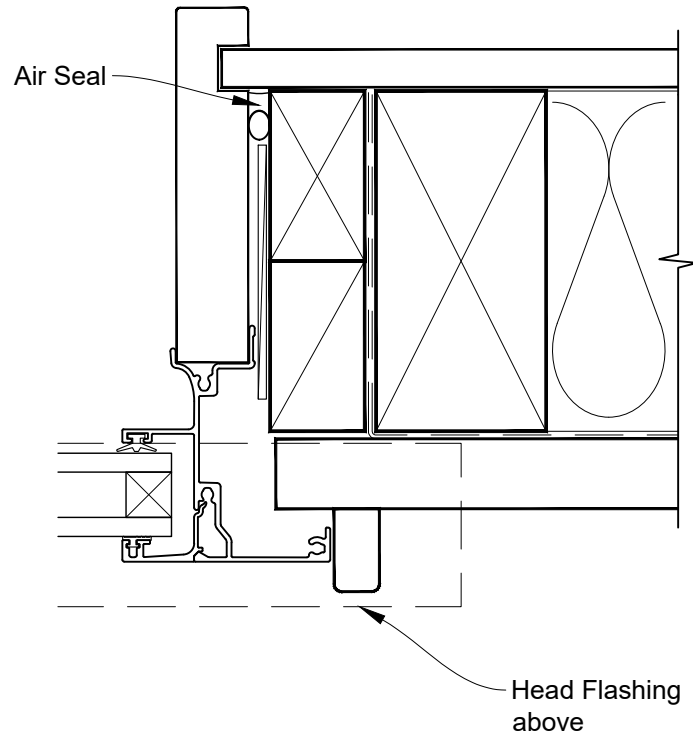


**INSTALLATION DETAIL - ALTherm RESIDENTIAL
AWNING WINDOW ON RUSTICATED WEATHERBOARD
DIRECT FIXED CLADDING**

Date: 01.04.19

Scale: 1:2

CAD Ref.: ARAWRW-DJ

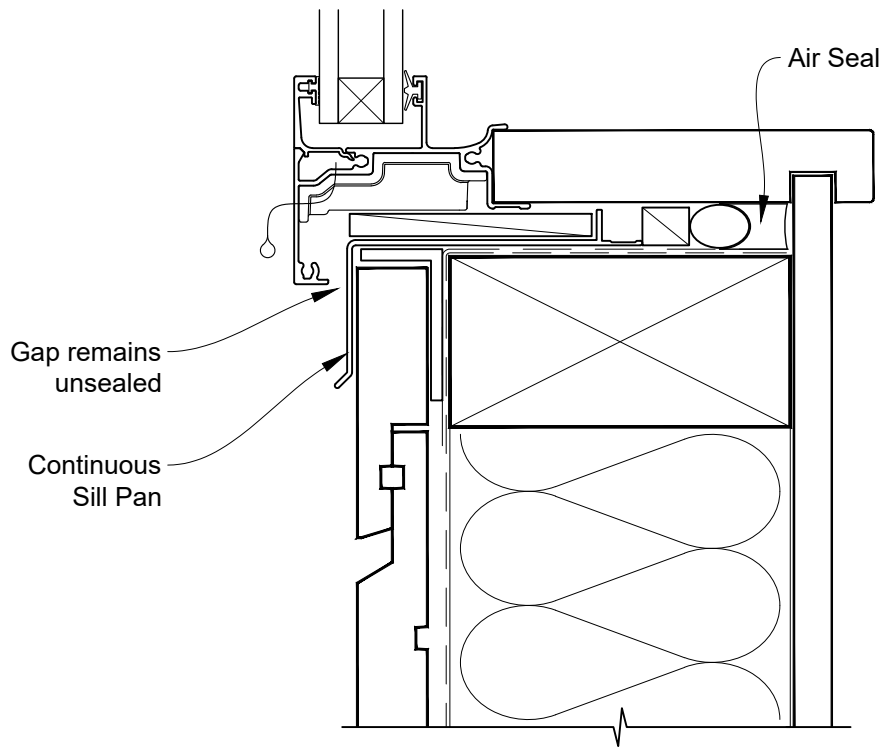


**INSTALLATION DETAIL - ALTHERM RESIDENTIAL
AWNING WINDOW ON RUSTICATED WEATHERBOARD
DIRECT FIXED CLADDING**

Date: 01.04.19

Scale: 1:2

CAD Ref.: ARAWRW-DS



**INSTALLATION DETAIL - ALTHERM RESIDENTIAL
AWNING WINDOW ON RUSTICATED WEATHERBOARD
DIRECT FIXED CLADDING**

Date: 01.04.19

Scale: 1:2

CAD Ref.: ARAWRW-DS2

