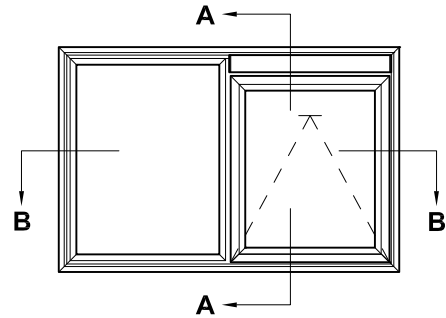
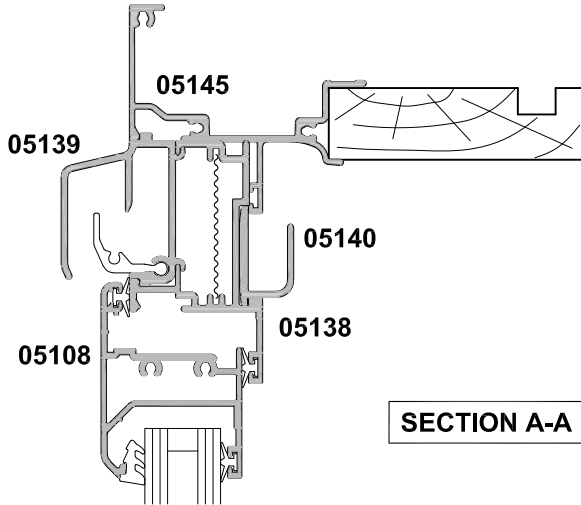
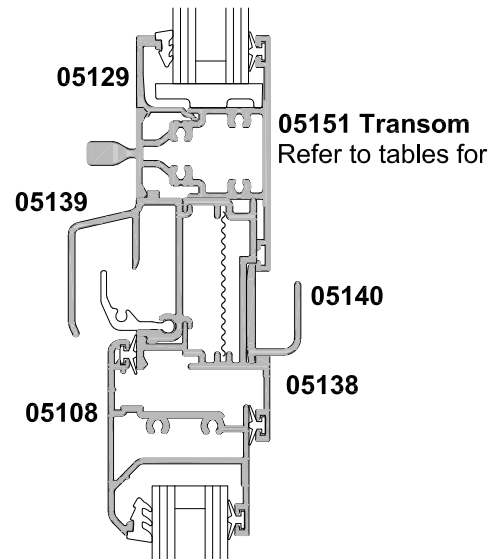
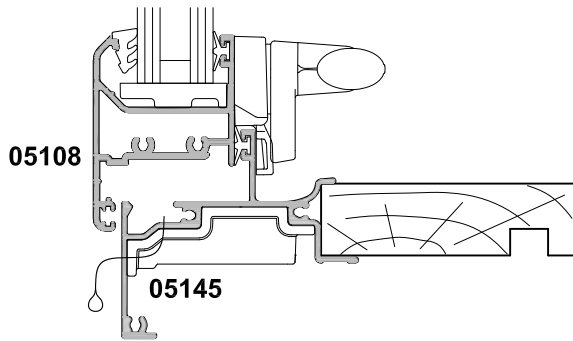


AWNING WINDOW, DOUBLE GLAZED VENTED SASH AND AEROVENT CROSS SECTION

Cad Ref. AAW02-0 Scale 1:2 Date 01.04.19



Due to clearance issues it is not recommended to have casement sashes below Aerovent.



AEROVENT AT TRANSOM OPTION

