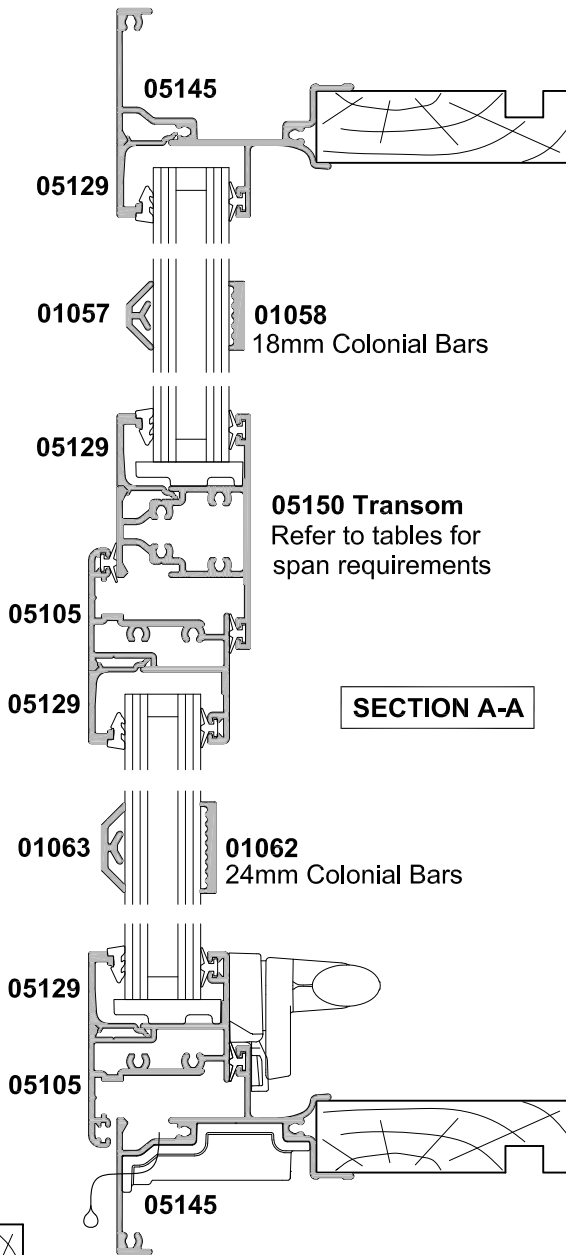


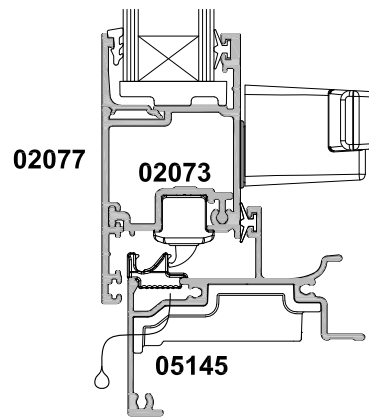
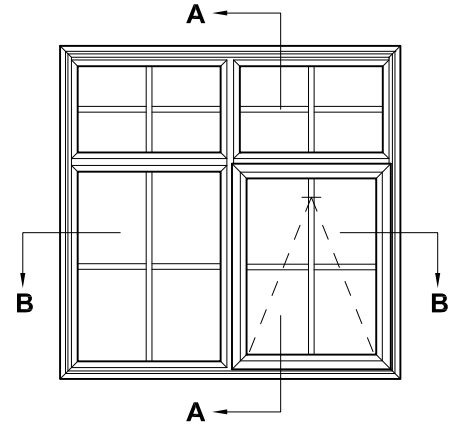
AWNING WINDOW, BEADED SASH AND ESPAGNOLETTE SASH OPTION

CROSS SECTION

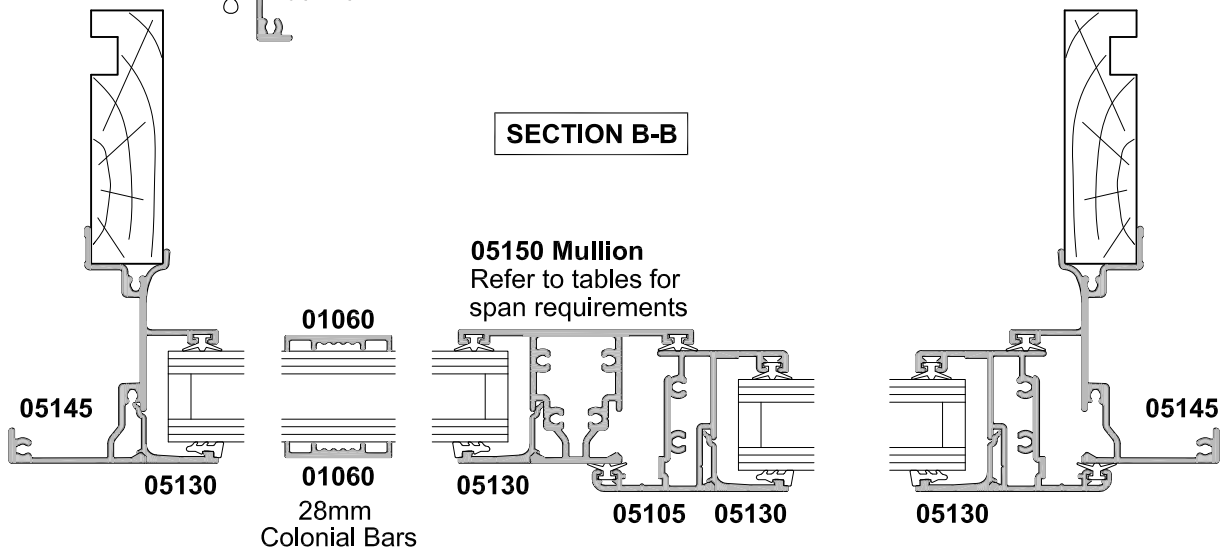
Cad Ref. AAW01-0 Scale 1:2 Date 01.04.19



SECTION A-A



ESPAGNOLETTE SASH OPTION



SECTION B-B

05150 Mullion
Refer to tables for span requirements