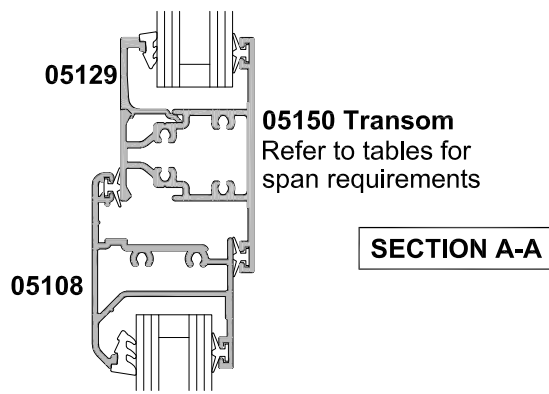
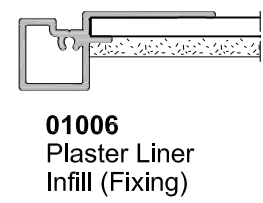
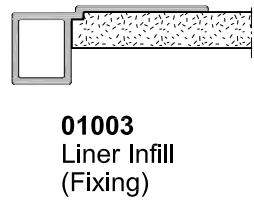
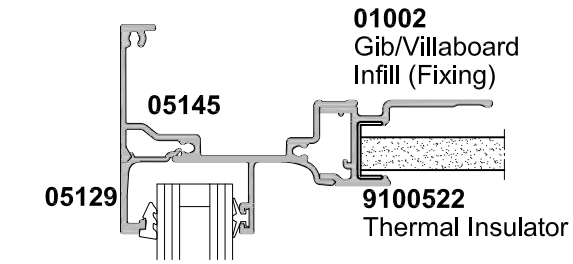
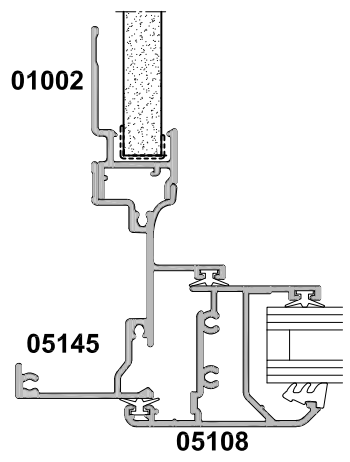
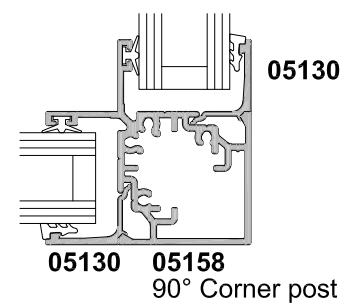
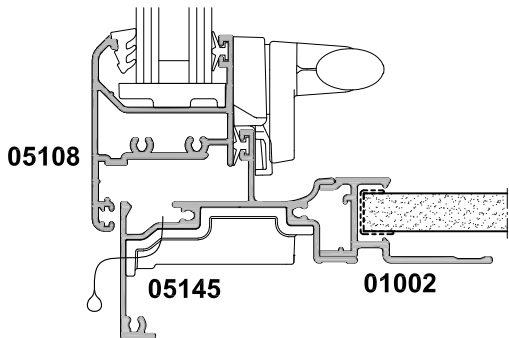
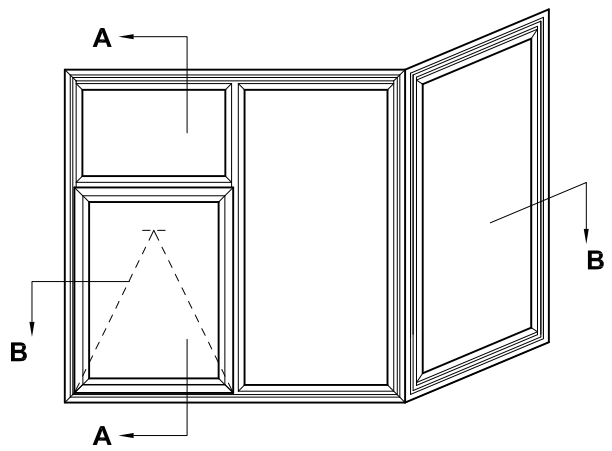


# AWNING WINDOW 90° AND 135° CORNER POSTS AND LINER ADAPTORS CROSS SECTION

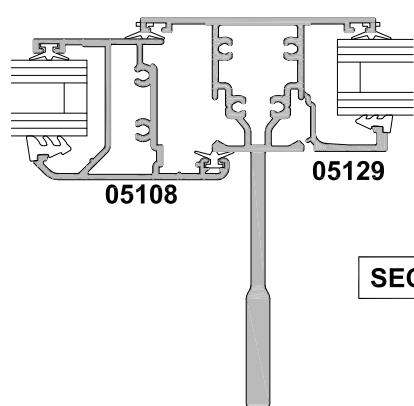
Cad Ref. AAW05-0    Scale 1:2    Date 01.04.19



**SECTION A-A**



**05153 Mullion**  
Refer to tables for  
span requirements



**SECTION B-B**

