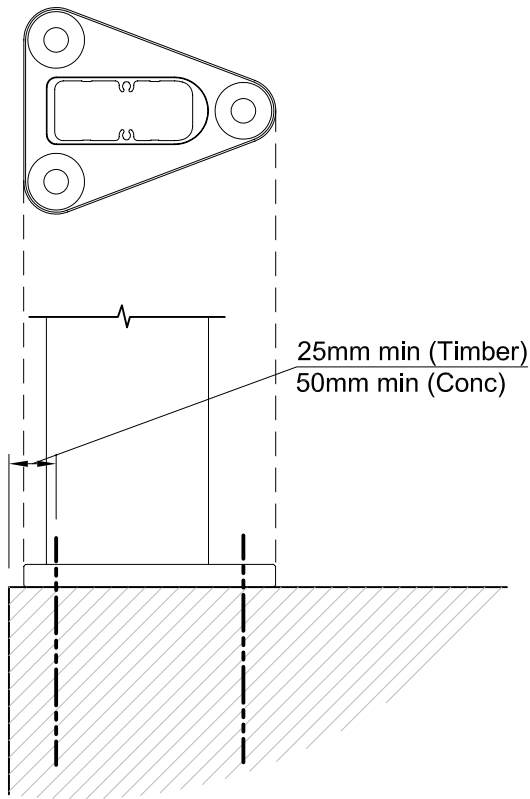


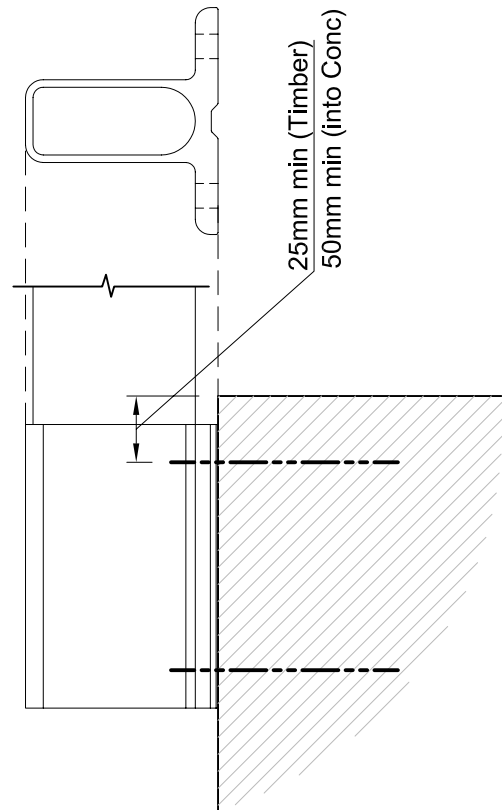
A900RS PROFILE BALUSTRADE

POST FOOTING OPTIONS

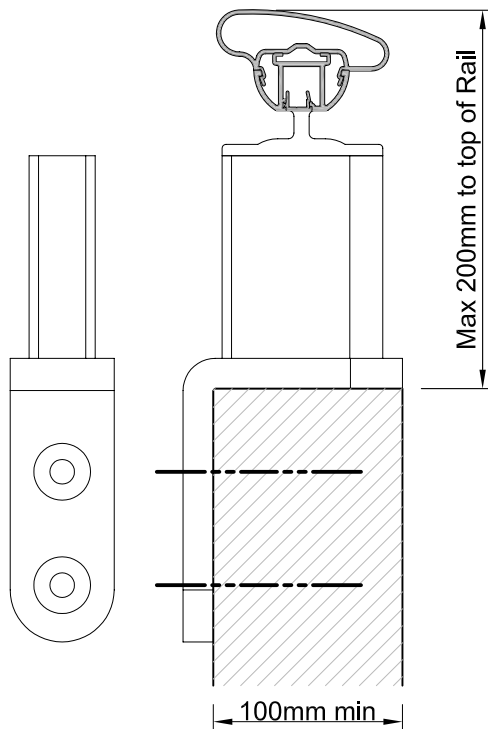
Cad Ref. APBA09-0 Scale 1:4 Date 01.01.09



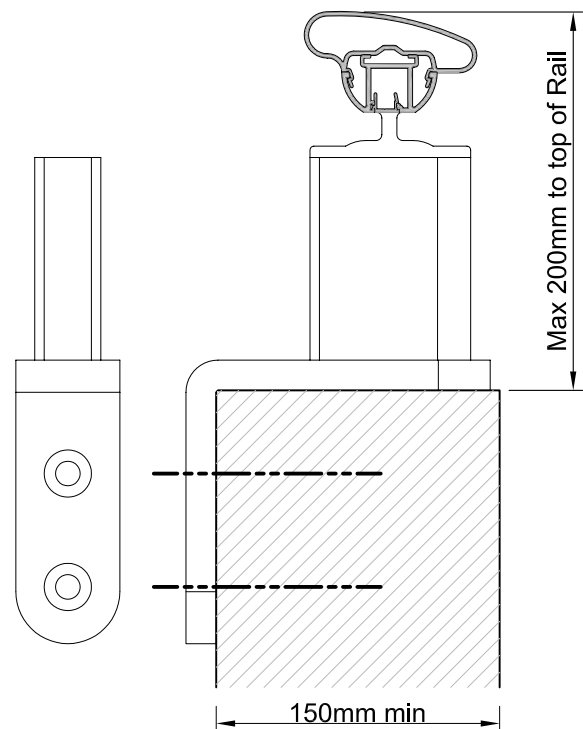
Standard Bracket (Supplied welded to Post)



9100860 Face Fix Bracket



9100874 Nib Wall Bracket



9100870 Nib Wall Bracket