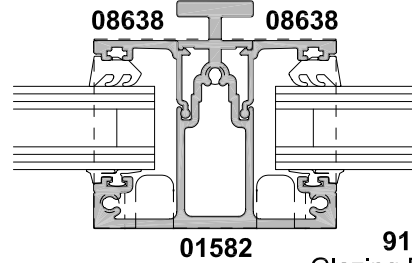
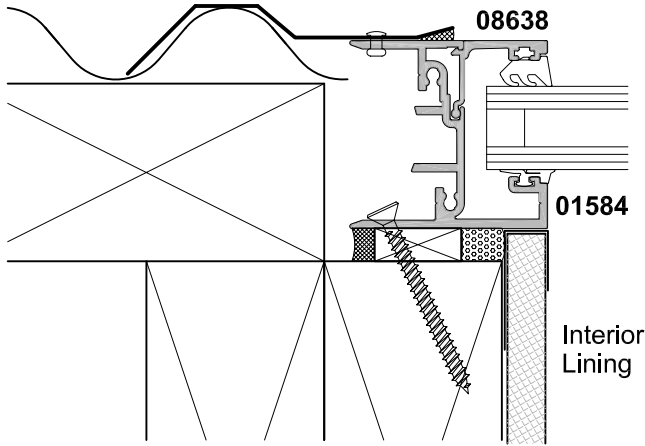


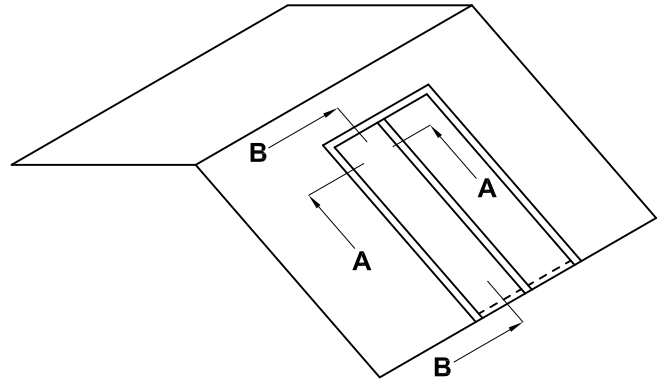
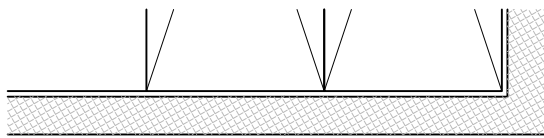
# A100GB GLAZING BARS FIXED SKYLIGHT, SMALL FIN RAFTER CROSS SECTION

Cad Ref. ACOG02-0    Scale 1:2    Date 01.01.09

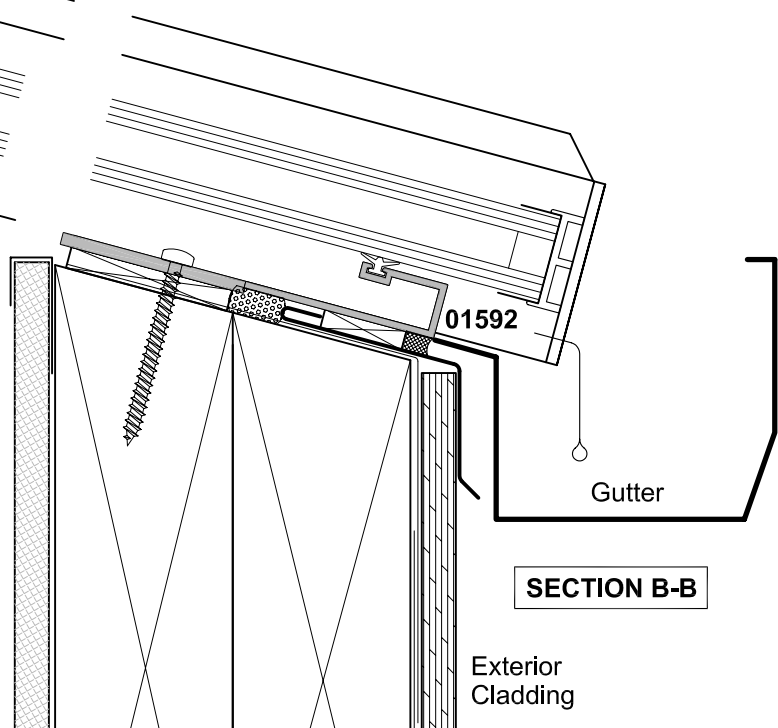
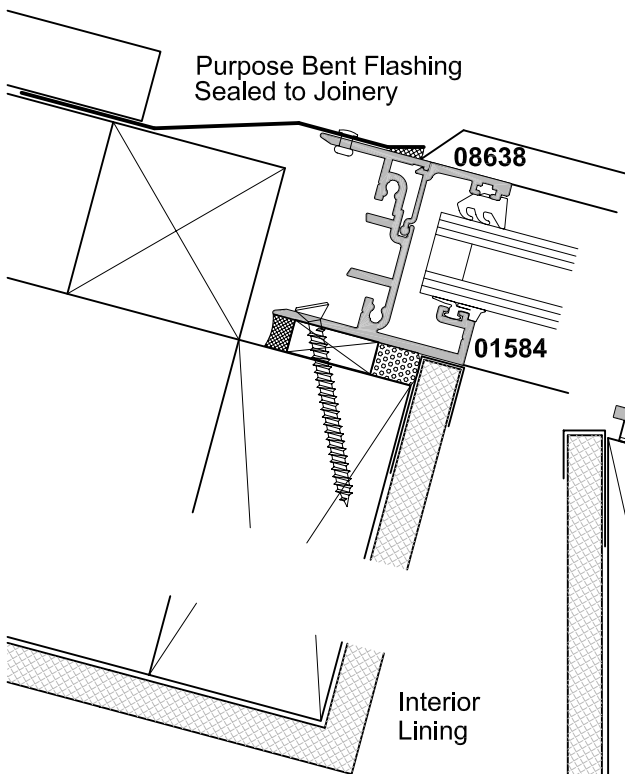
Purpose Bent Flashing  
Sealed to Joinery



SECTION A-A



Purpose Bent Flashing  
Sealed to Joinery



SECTION B-B

Note:  
A Minimum Pitch of 5° (Double Glazing) is  
required to allow water to run off the glass.