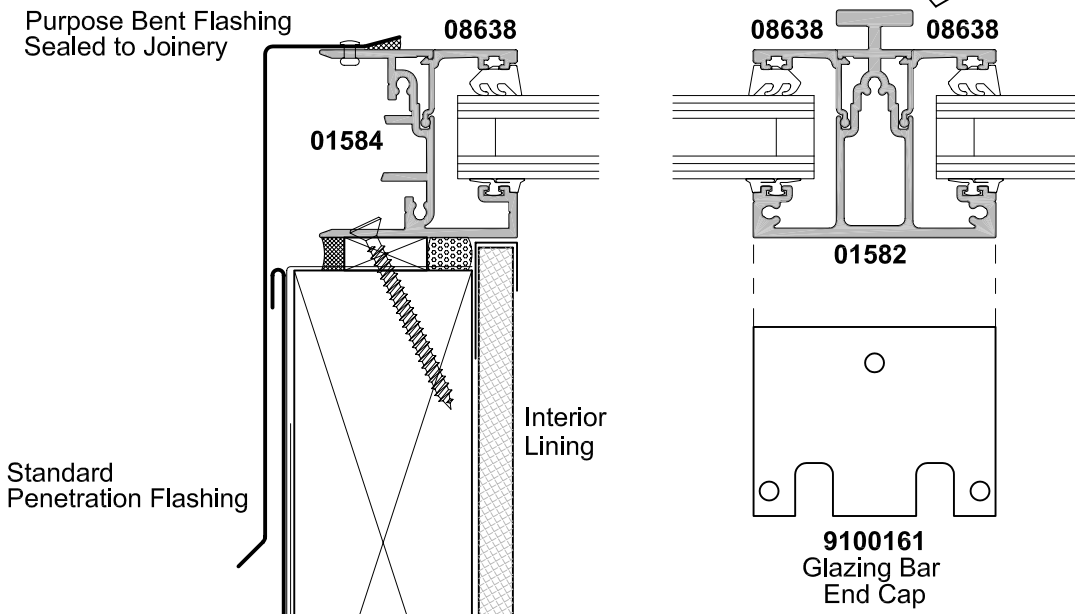
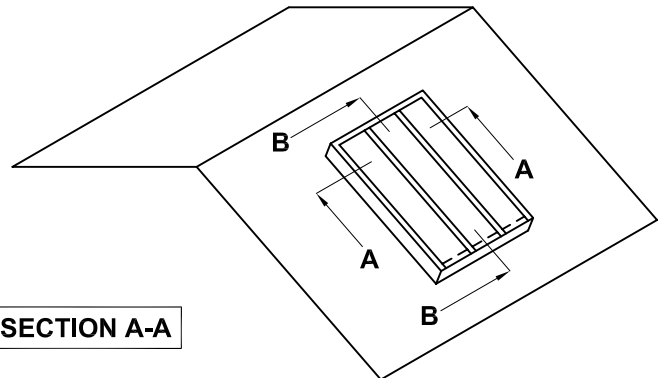


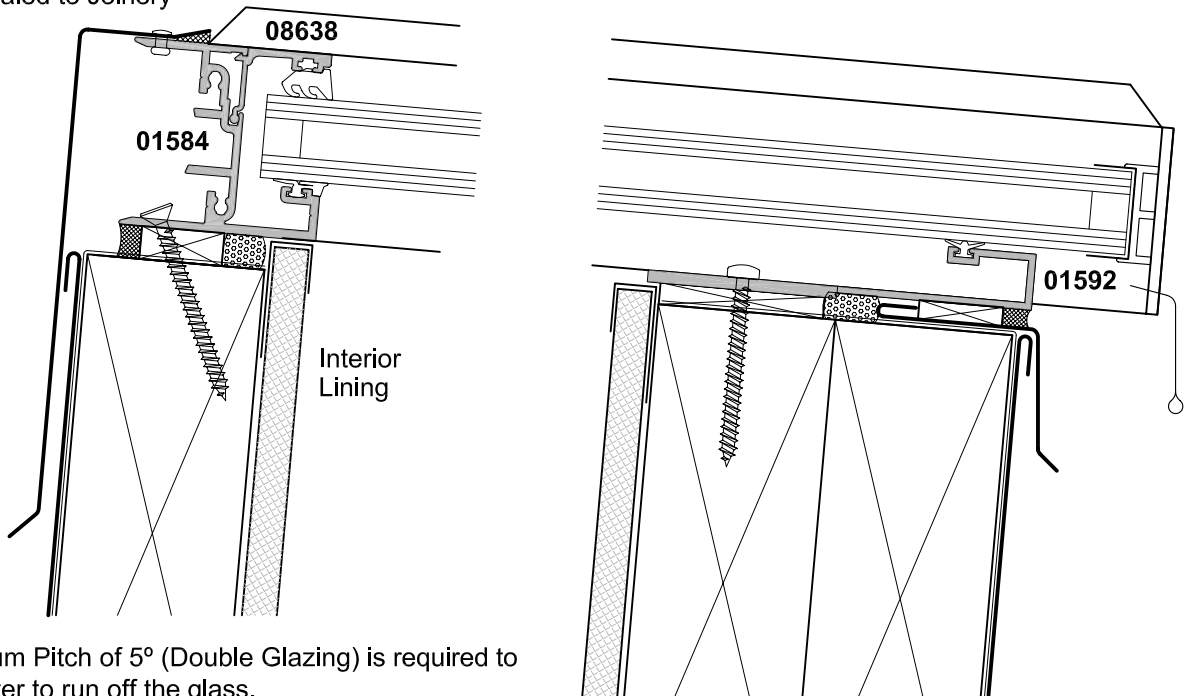
A100GB GLAZING BARS FIXED SKYLIGHT, SMALL FIN RAFTER CROSS SECTION

Cad Ref. ACOG01-0 Scale 1:2 Date 01.01.09



Purpose Bent Flashing Sealed to Joinery

SECTION B-B



Note:
A Minimum Pitch of 5° (Double Glazing) is required to allow water to run off the glass.