

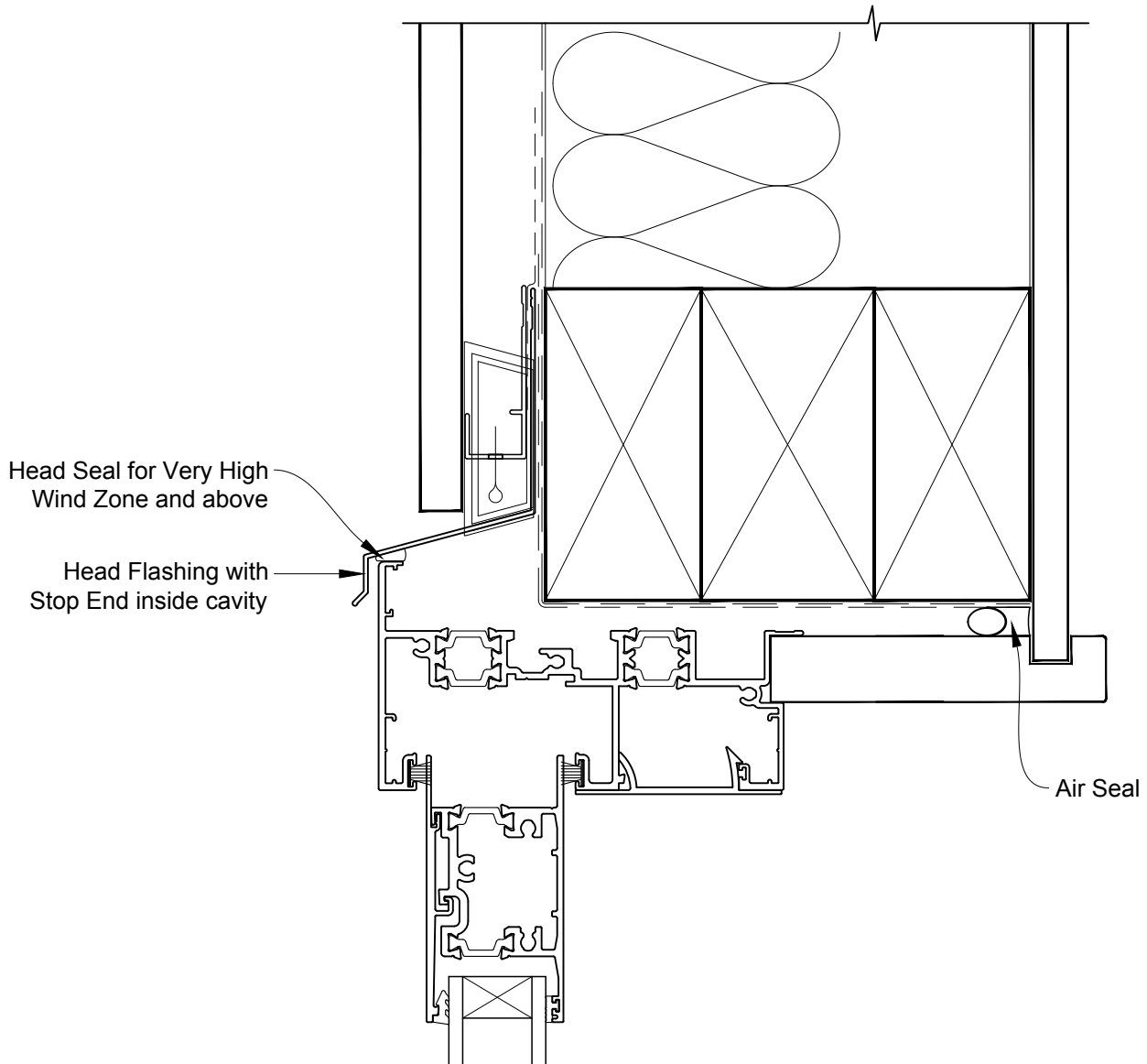


INSTALLATION DETAIL - METRO THERMAL HEART SLIDING WINDOW ON FLAT SHEET CAVITY CONSTRUCTION

Date: 01.10.16

Scale: 1:2

CAD Ref.: MTSWFS-CH



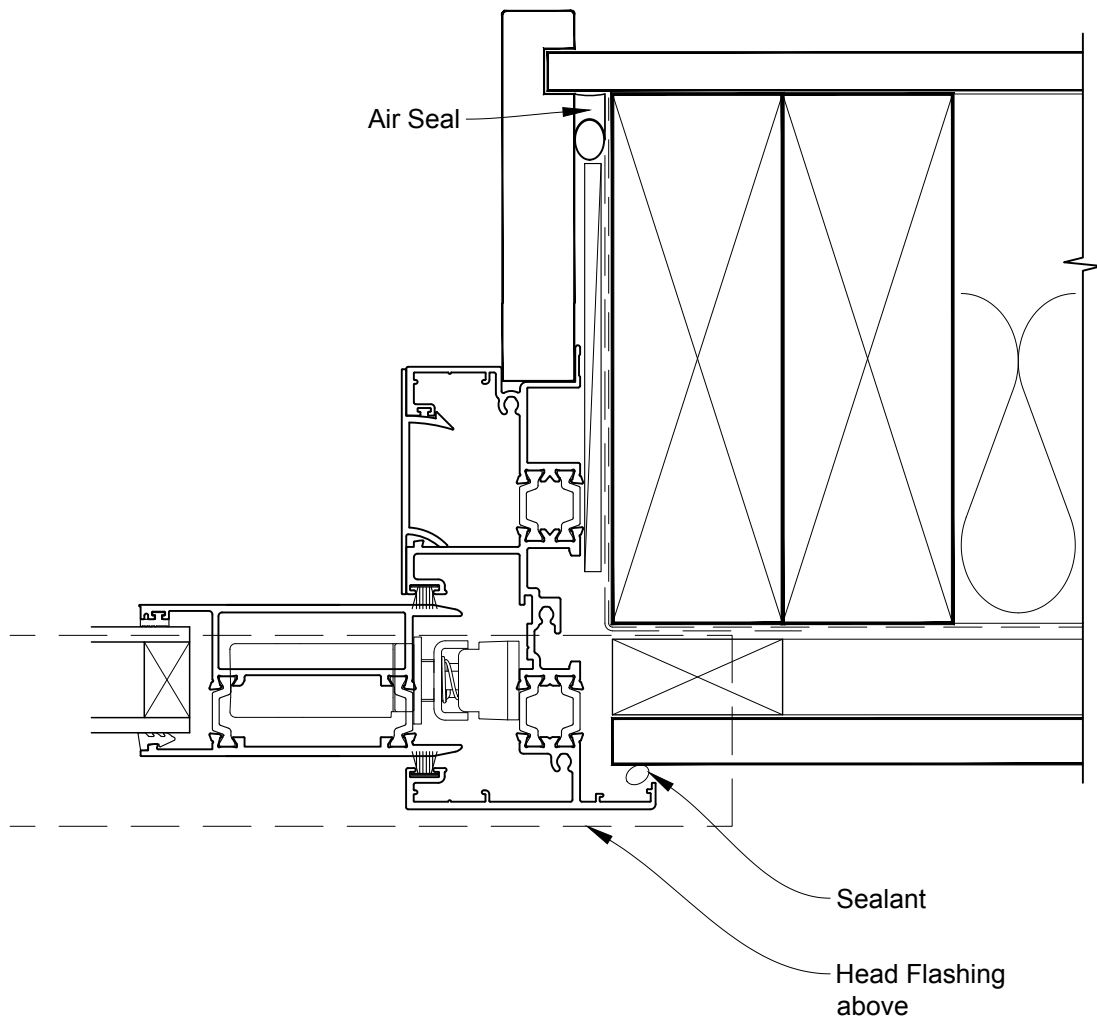


INSTALLATION DETAIL - METRO THERMAL HEART SLIDING WINDOW ON FLAT SHEET CAVITY CONSTRUCTION

Date: 01.10.16

Scale: 1:2

CAD Ref.: MTSWFS-CJ



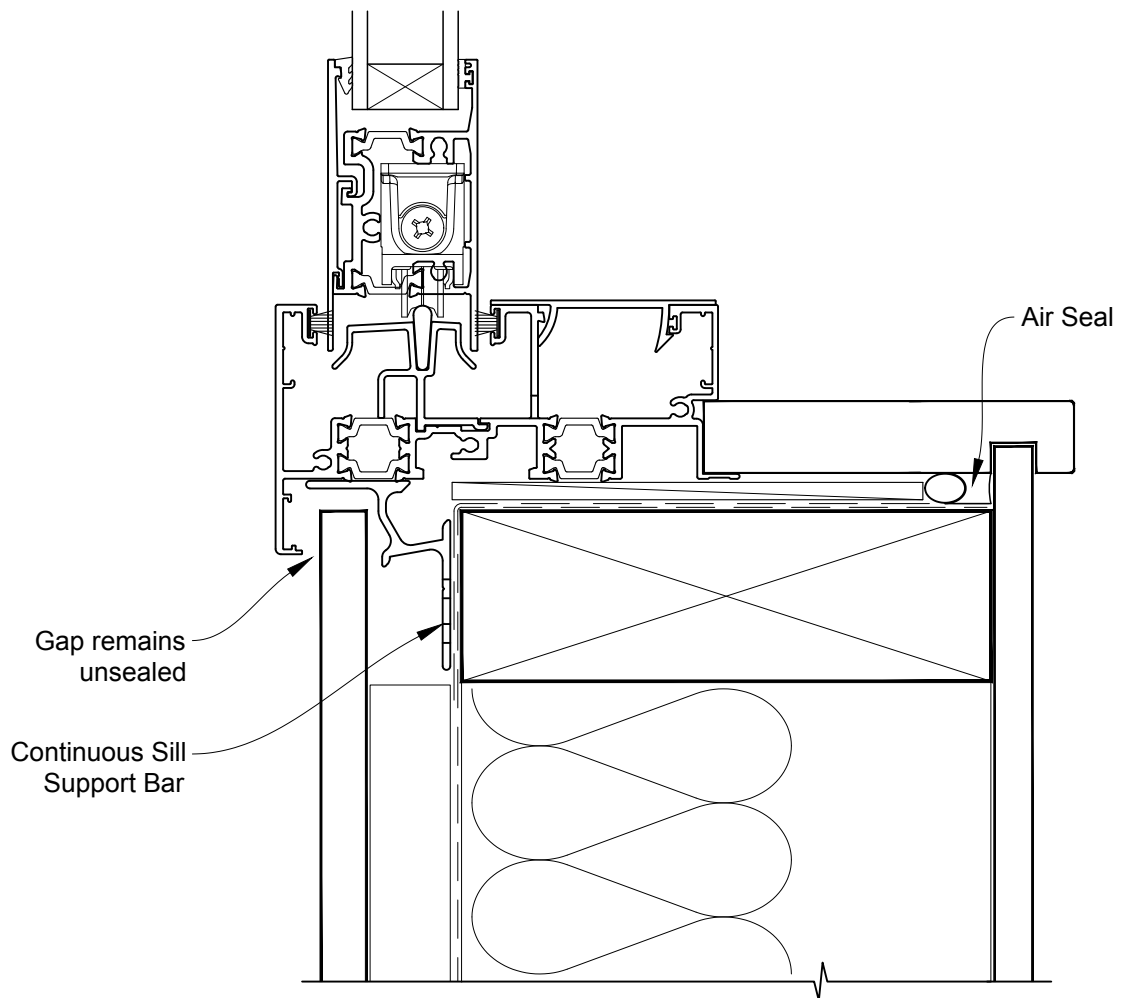


INSTALLATION DETAIL - METRO THERMAL HEART SLIDING WINDOW ON FLAT SHEET CAVITY CONSTRUCTION

Date: 01.10.16

Scale: 1:2

CAD Ref.: MTSWFS-CS



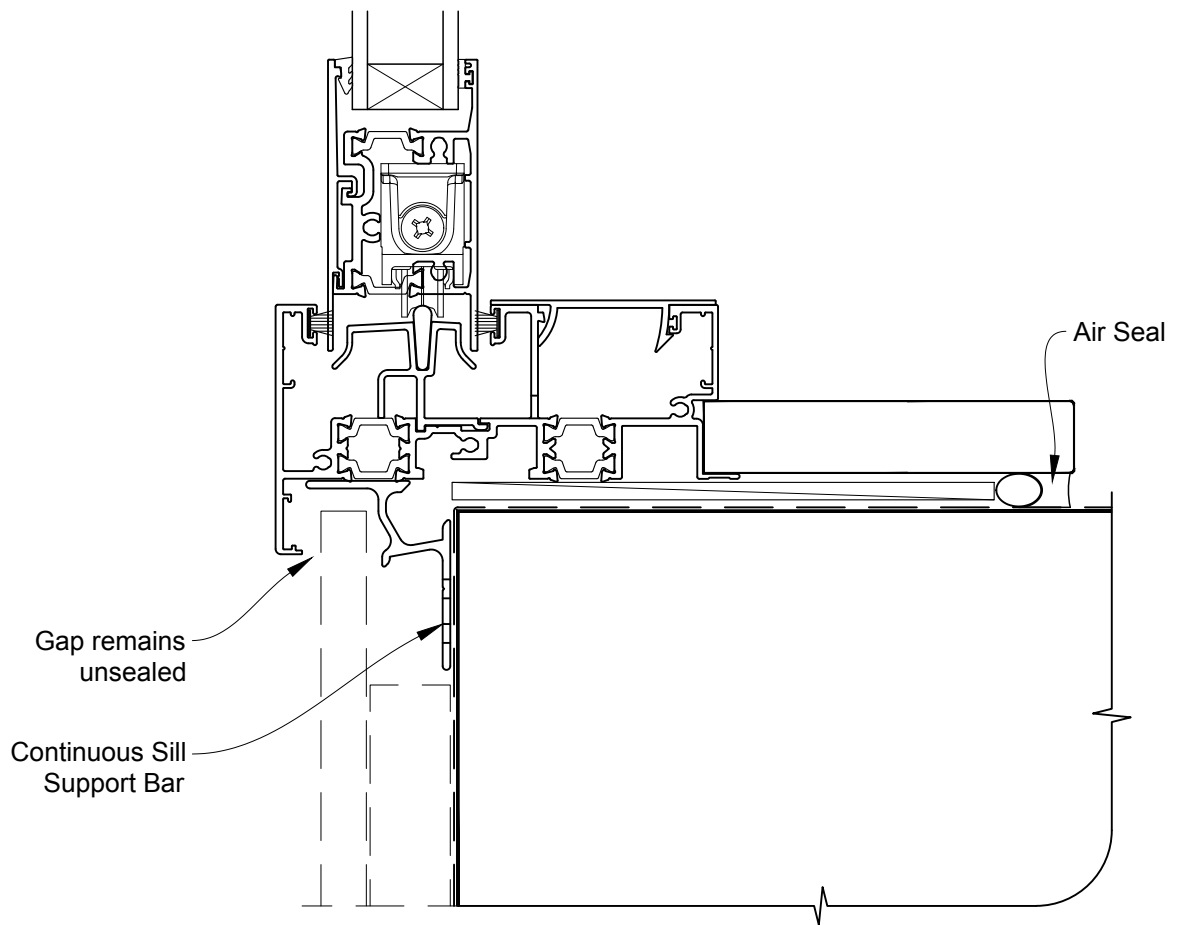


INSTALLATION DETAIL - METRO THERMAL HEART SLIDING WINDOW ON FLAT SHEET CAVITY CONSTRUCTION

Date: 01.10.16

Scale: 1:2

CAD Ref.: MTSWFS-CS2



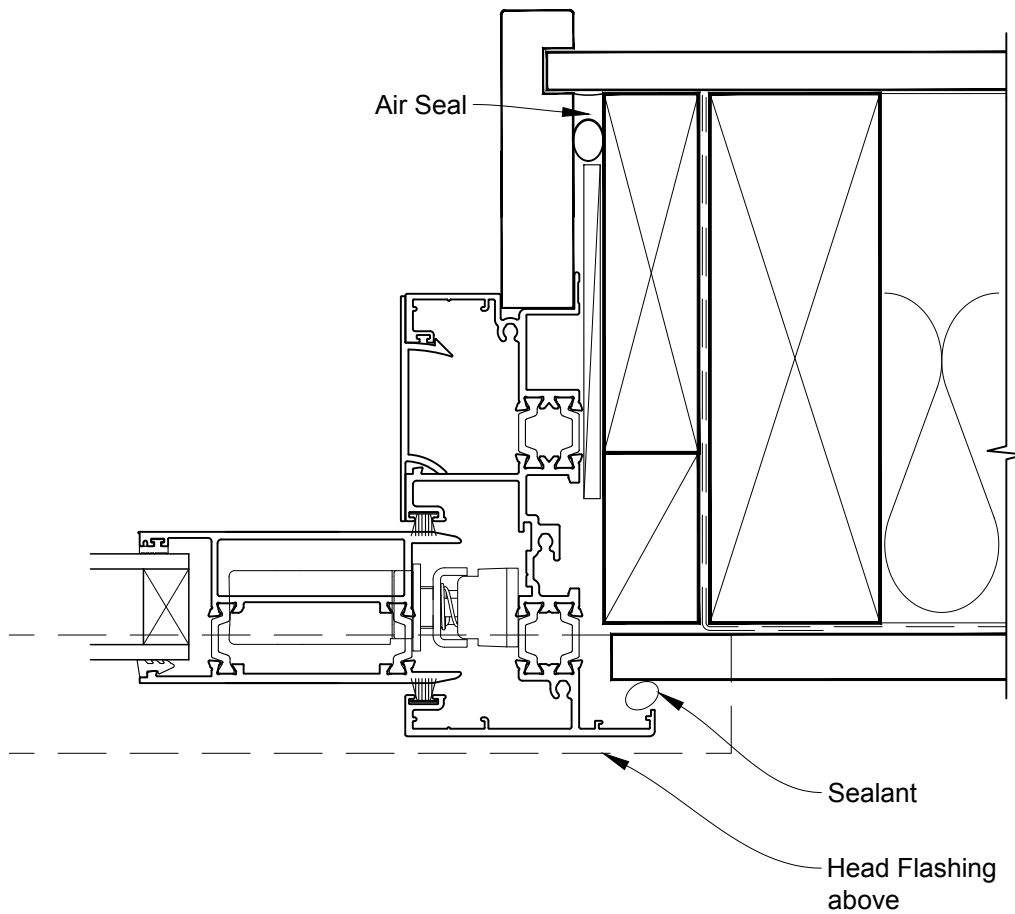


INSTALLATION DETAIL - METRO THERMAL HEART SLIDING WINDOW ON FLAT SHEET DIRECT FIXED CLADDING

Date: 01.10.16

Scale: 1:2

CAD Ref.: MTSWFS-DJ



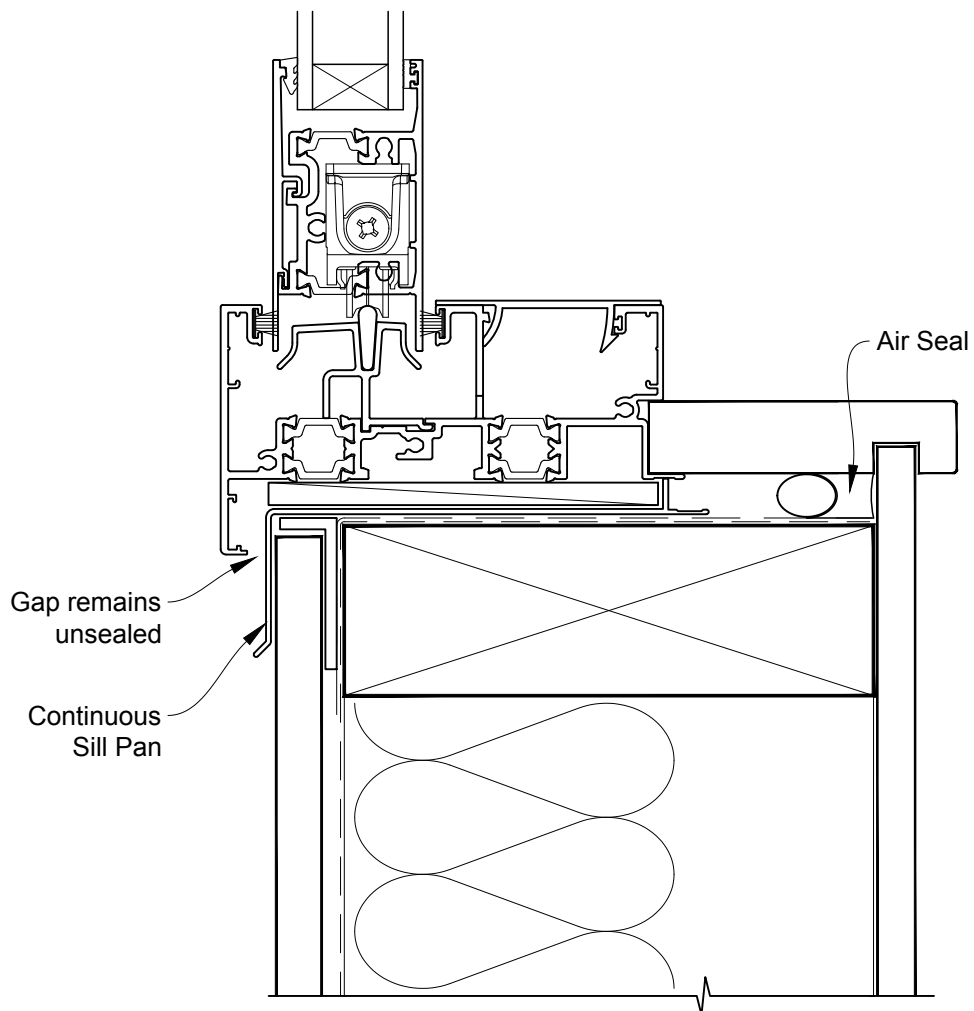


INSTALLATION DETAIL - METRO THERMAL HEART SLIDING WINDOW ON FLAT SHEET DIRECT FIXED CLADDING

Date: 01.10.16

Scale: 1:2

CAD Ref.: MTSWFS-DS





INSTALLATION DETAIL - METRO THERMAL HEART SLIDING WINDOW ON FLAT SHEET DIRECT FIXED CLADDING

Date: 01.10.16

Scale: 1:2

CAD Ref.: MTSWFS-DS2

