

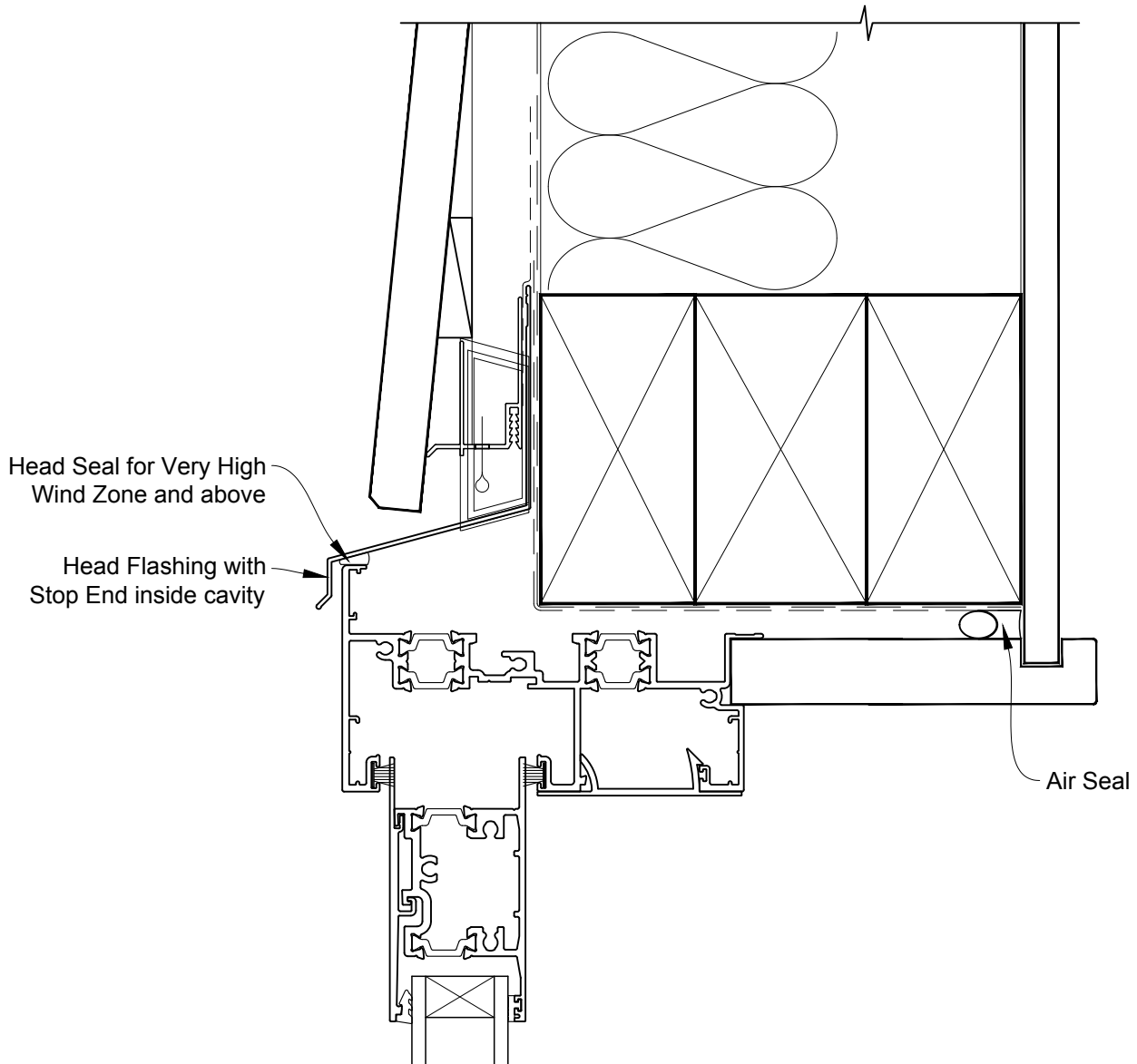


INSTALLATION DETAIL - METRO THERMAL HEART SLIDING WINDOW ON BEVELBACK WEATHERBOARD CAVITY CONSTRUCTION

Date: 01.09.16

Scale: 1:2

CAD Ref.: MTSWBW-CH



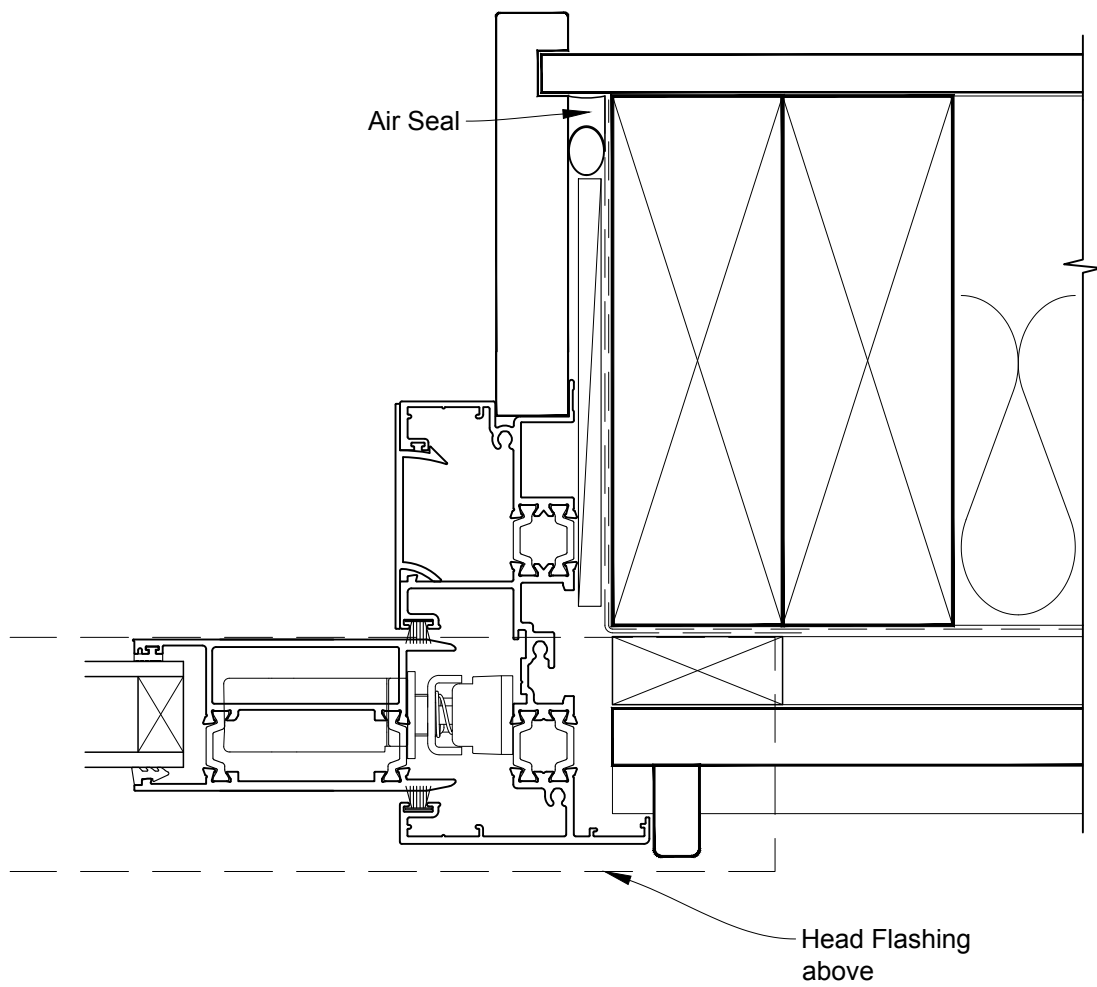


INSTALLATION DETAIL - METRO THERMAL HEART SLIDING WINDOW ON BEVELBACK WEATHERBOARD CAVITY CONSTRUCTION

Date: 01.09.16

Scale: 1:2

CAD Ref.: MTSWBW-CJ



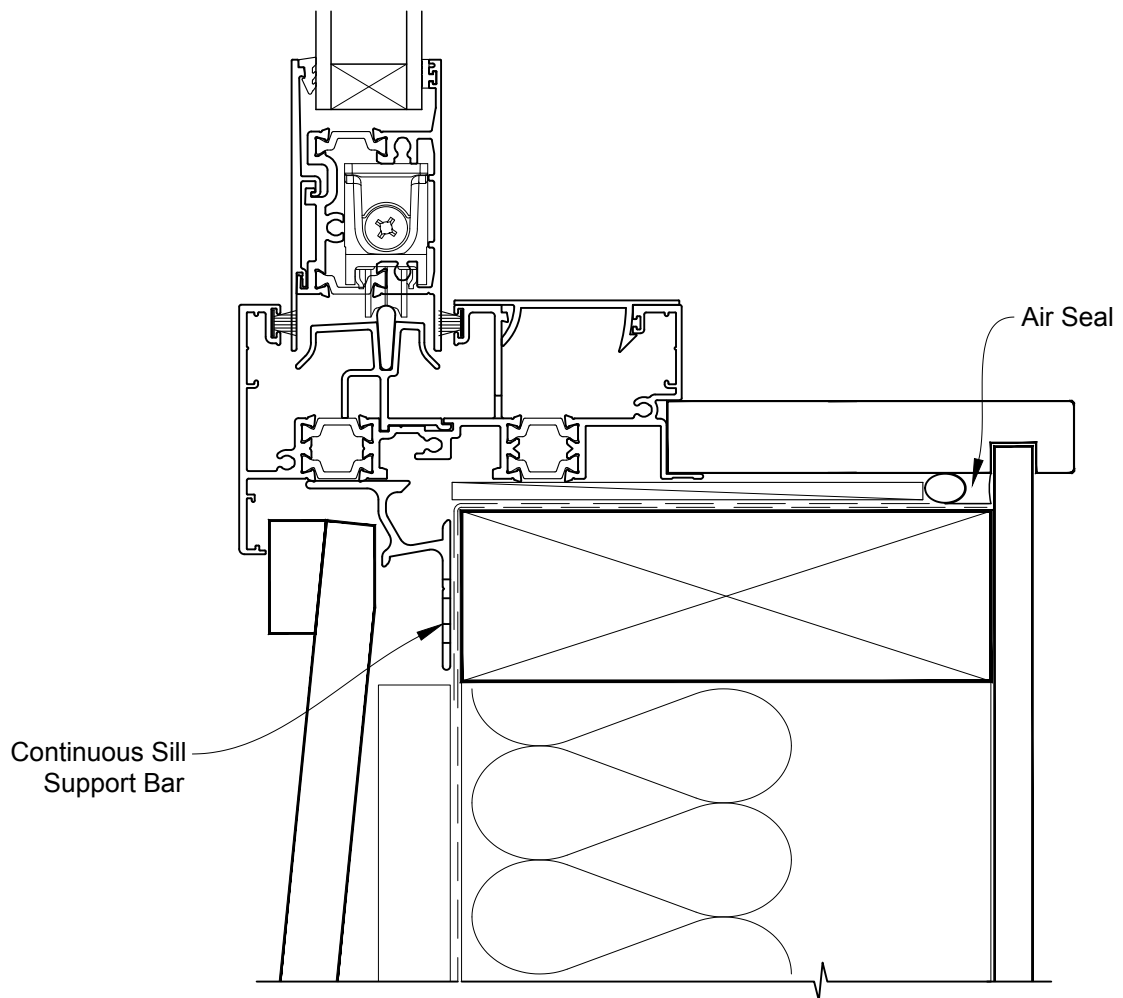


INSTALLATION DETAIL - METRO THERMAL HEART SLIDING WINDOW ON BEVELBACK WEATHERBOARD CAVITY CONSTRUCTION

Date: 01.09.16

Scale: 1:2

CAD Ref.: MTSWBW-CS



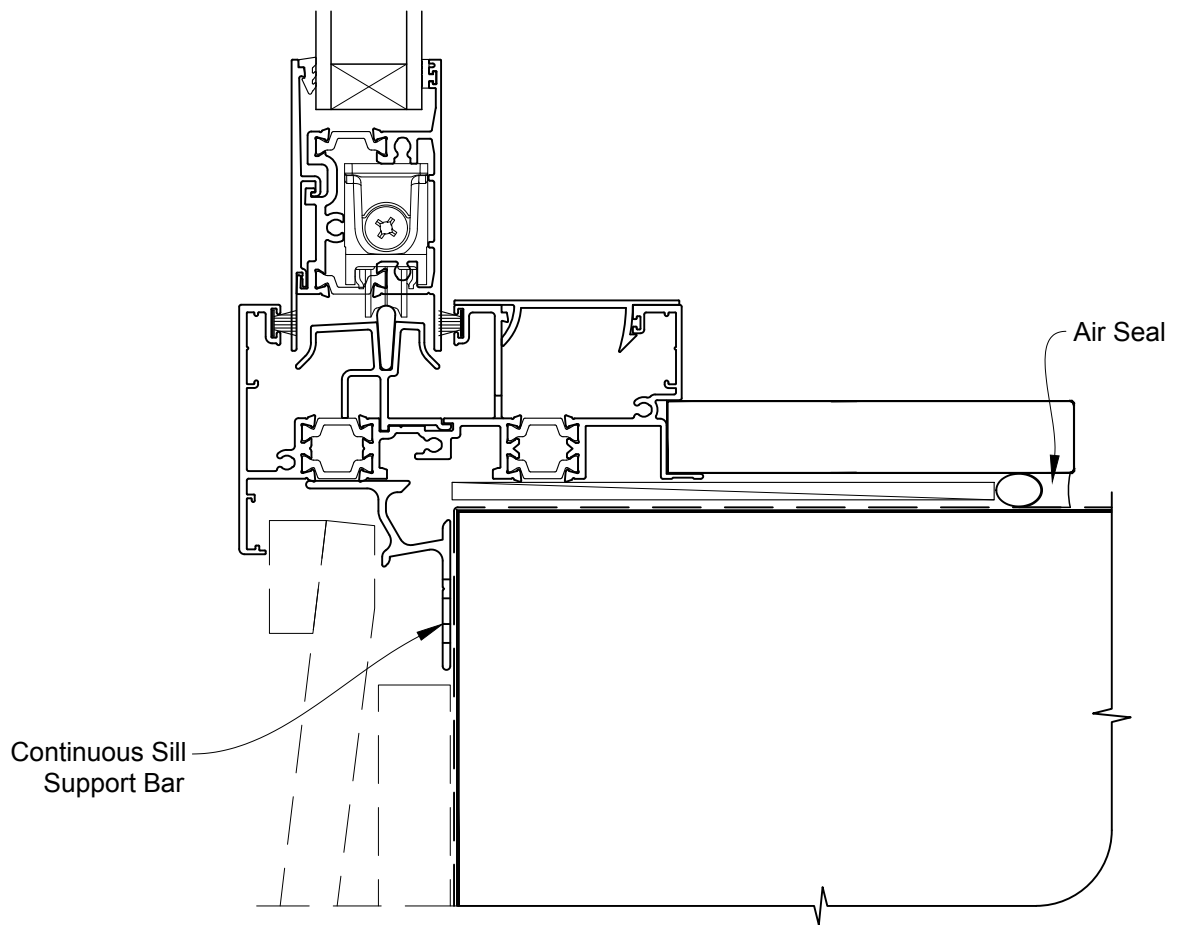


INSTALLATION DETAIL - METRO THERMAL HEART SLIDING WINDOW ON BEVELBACK WEATHERBOARD CAVITY CONSTRUCTION

Date: 01.09.16

Scale: 1:2

CAD Ref.: MTSWBW-CS2



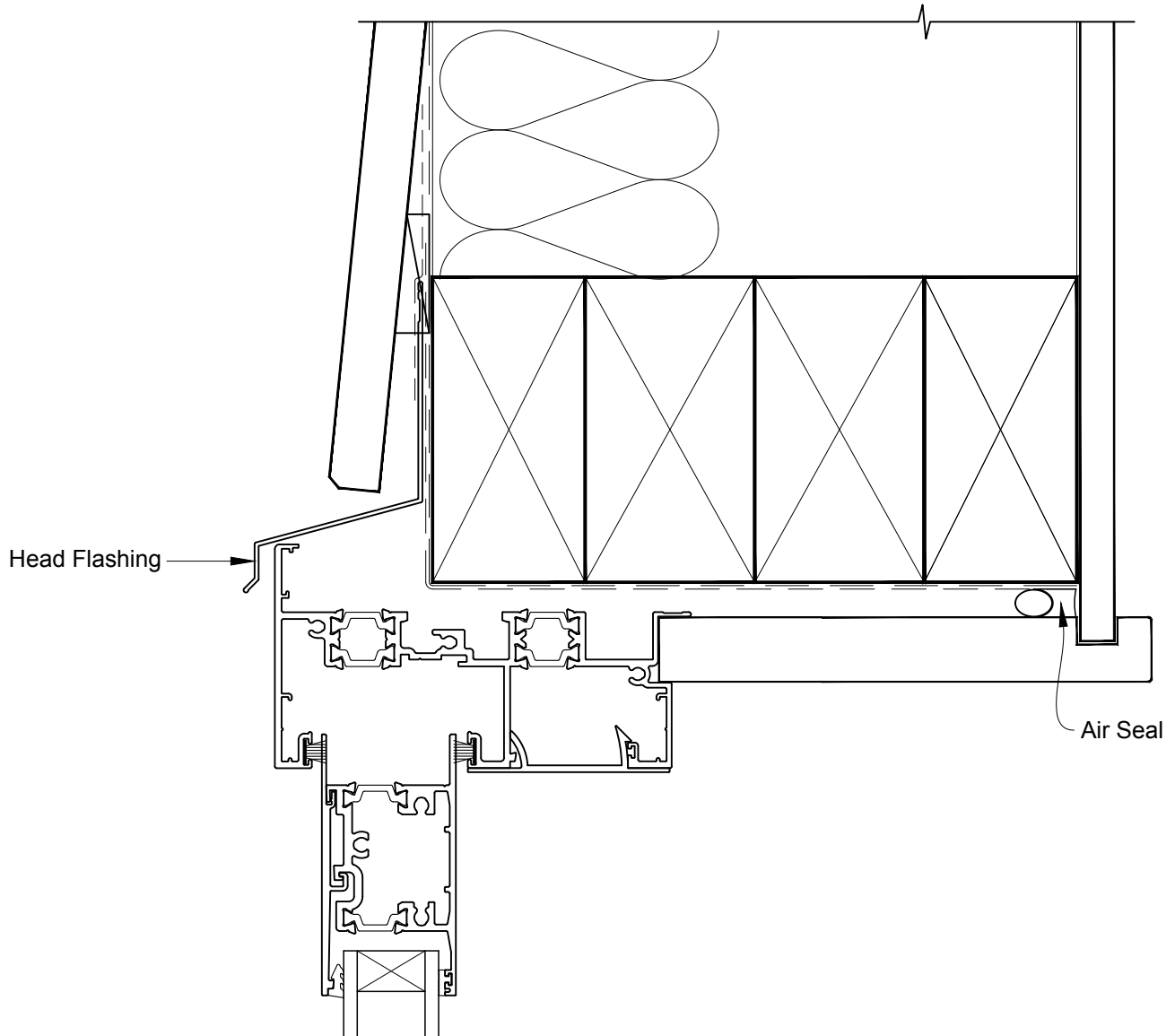


INSTALLATION DETAIL - METRO THERMAL HEART SLIDING WINDOW ON BEVELBACK WEATHERBOARD DIRECT FIXED CLADDING

Date: 01.09.16

Scale: 1:2

CAD Ref.: MTSWBW-DH



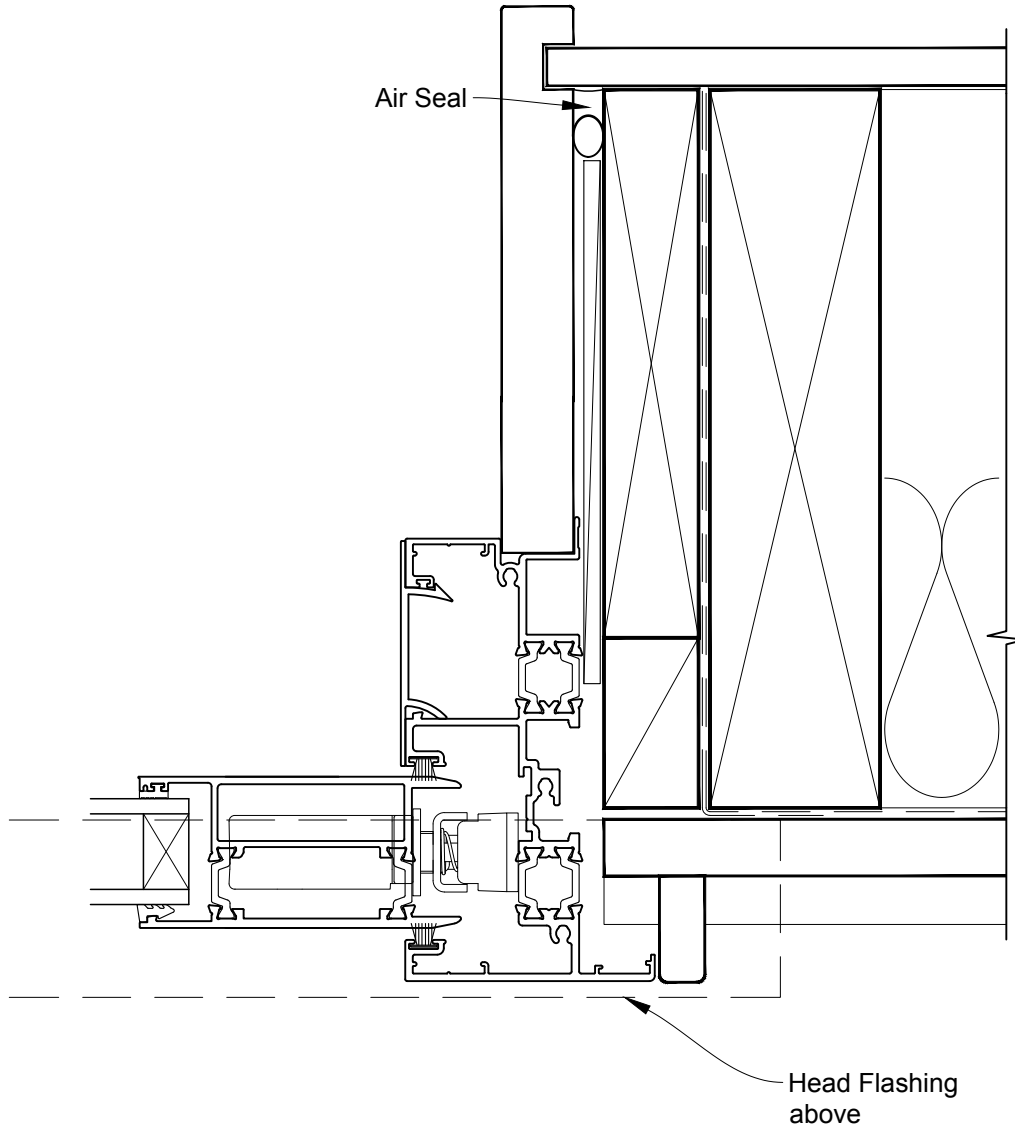


INSTALLATION DETAIL - METRO THERMAL HEART SLIDING WINDOW ON BEVELBACK WEATHERBOARD DIRECT FIXED CLADDING

Date: 01.09.16

Scale: 1:2

CAD Ref.: MTSWBW-DJ



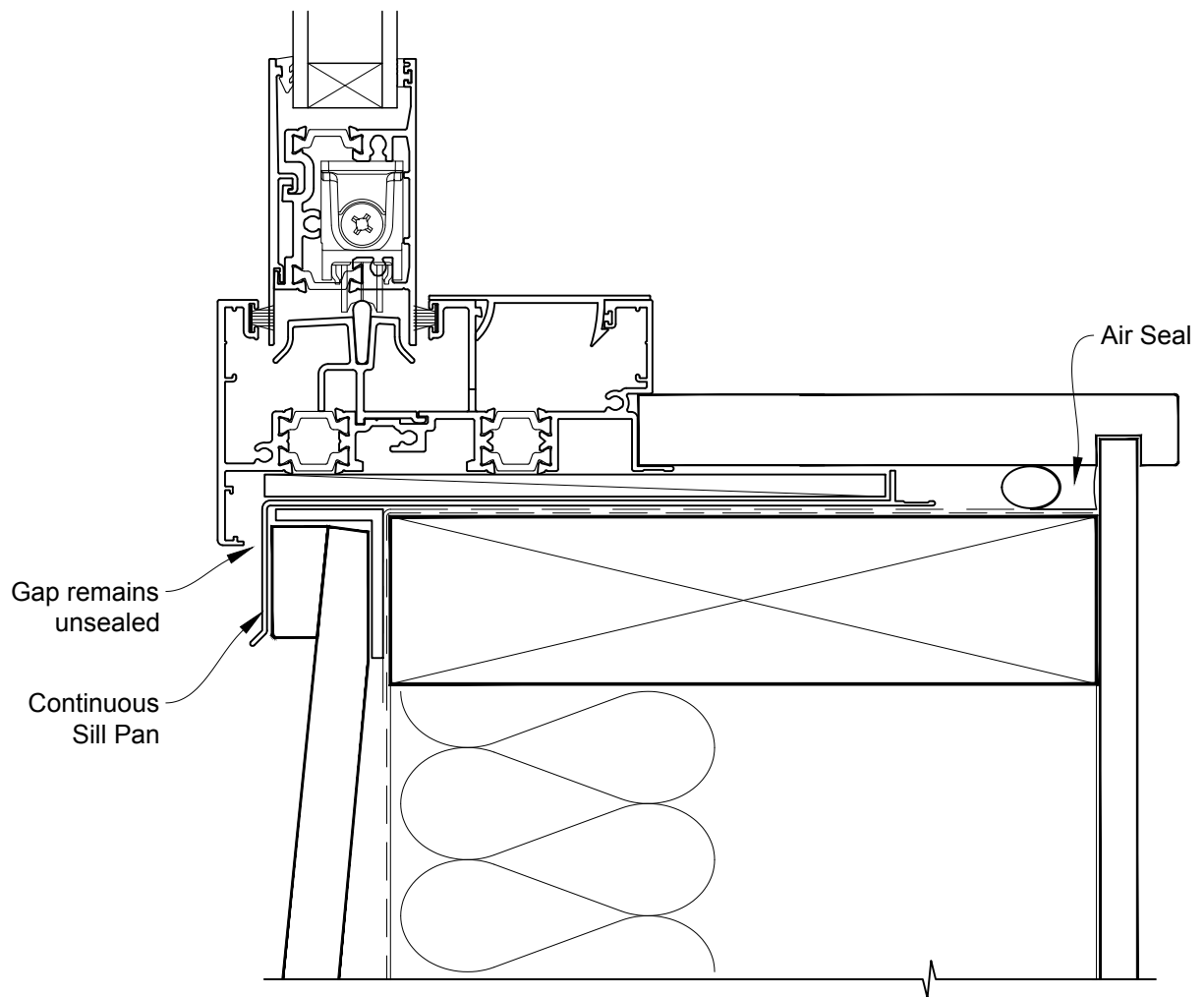


INSTALLATION DETAIL - METRO THERMAL HEART SLIDING WINDOW ON BEVELBACK WEATHERBOARD DIRECT FIXED CLADDING

Date: 01.09.16

Scale: 1:2

CAD Ref.: MTSWBW-DS





INSTALLATION DETAIL - METRO THERMAL HEART SLIDING WINDOW ON BEVELBACK WEATHERBOARD DIRECT FIXED CLADDING

Date: 01.09.16

Scale: 1:2

CAD Ref.: MTSWBW-DS2

