

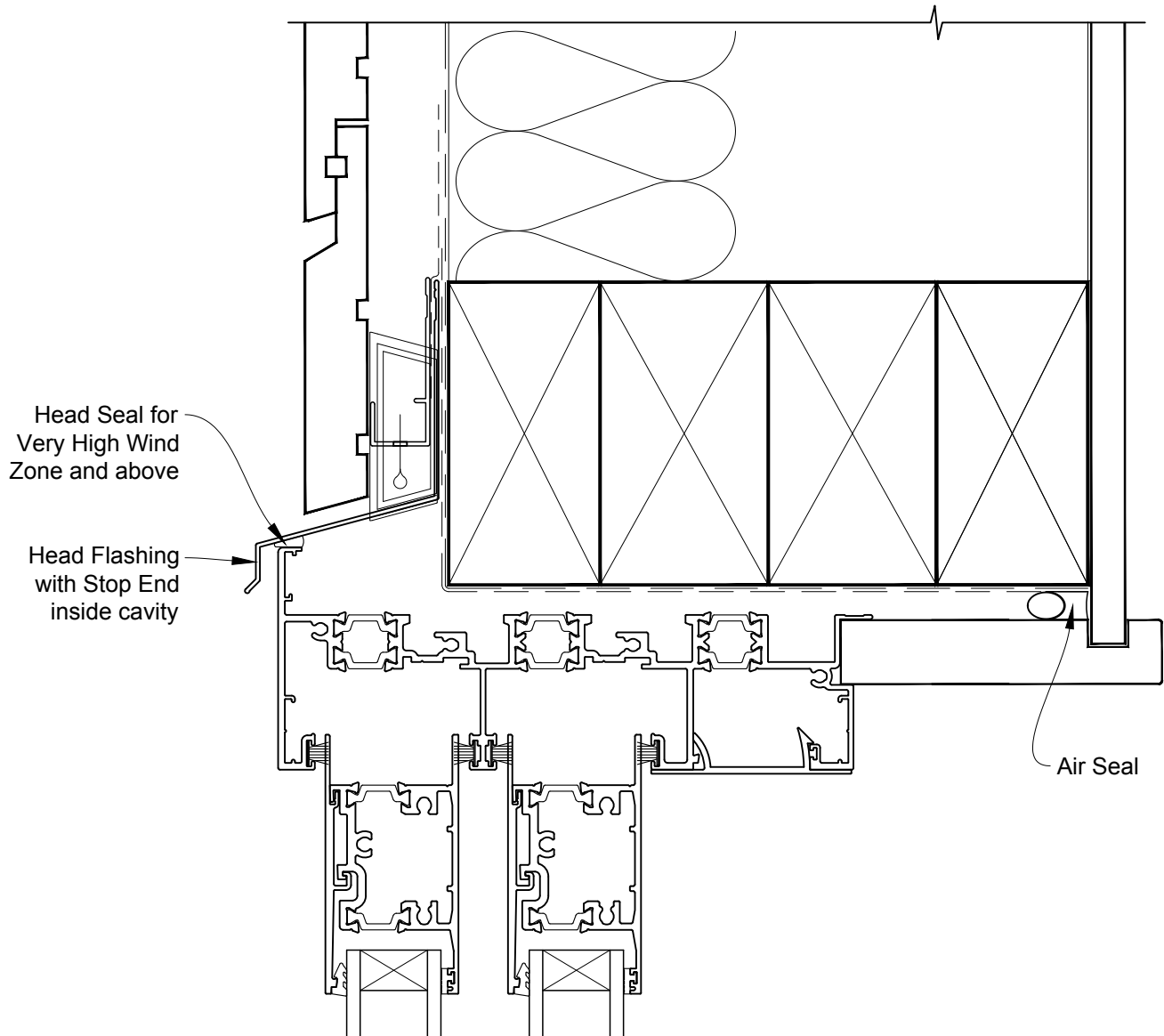


INSTALLATION DETAIL - METRO THERMAL HEART MULTISLIDER WINDOW ON RUSTICATED WEATHERBOARD CAVITY CONSTRUCTION

Date: 01.09.16

Scale: 1:2

CAD Ref.: MTMWRW-CH



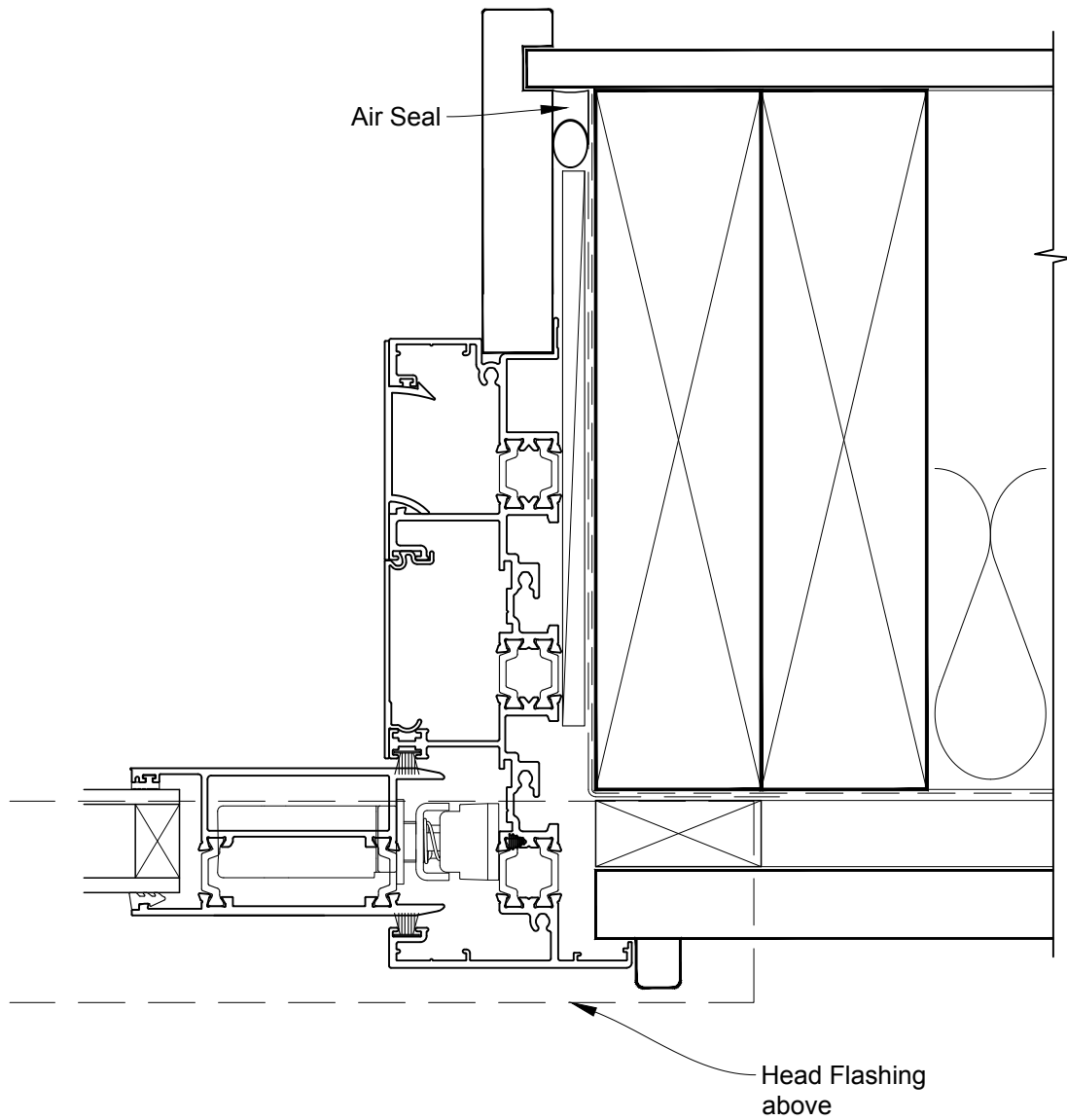


INSTALLATION DETAIL - METRO THERMAL HEART MULTISLIDER WINDOW ON RUSTICATED WEATHERBOARD CAVITY CONSTRUCTION

Date: 01.09.16

Scale: 1:2

CAD Ref.: MTMWRW-CJ



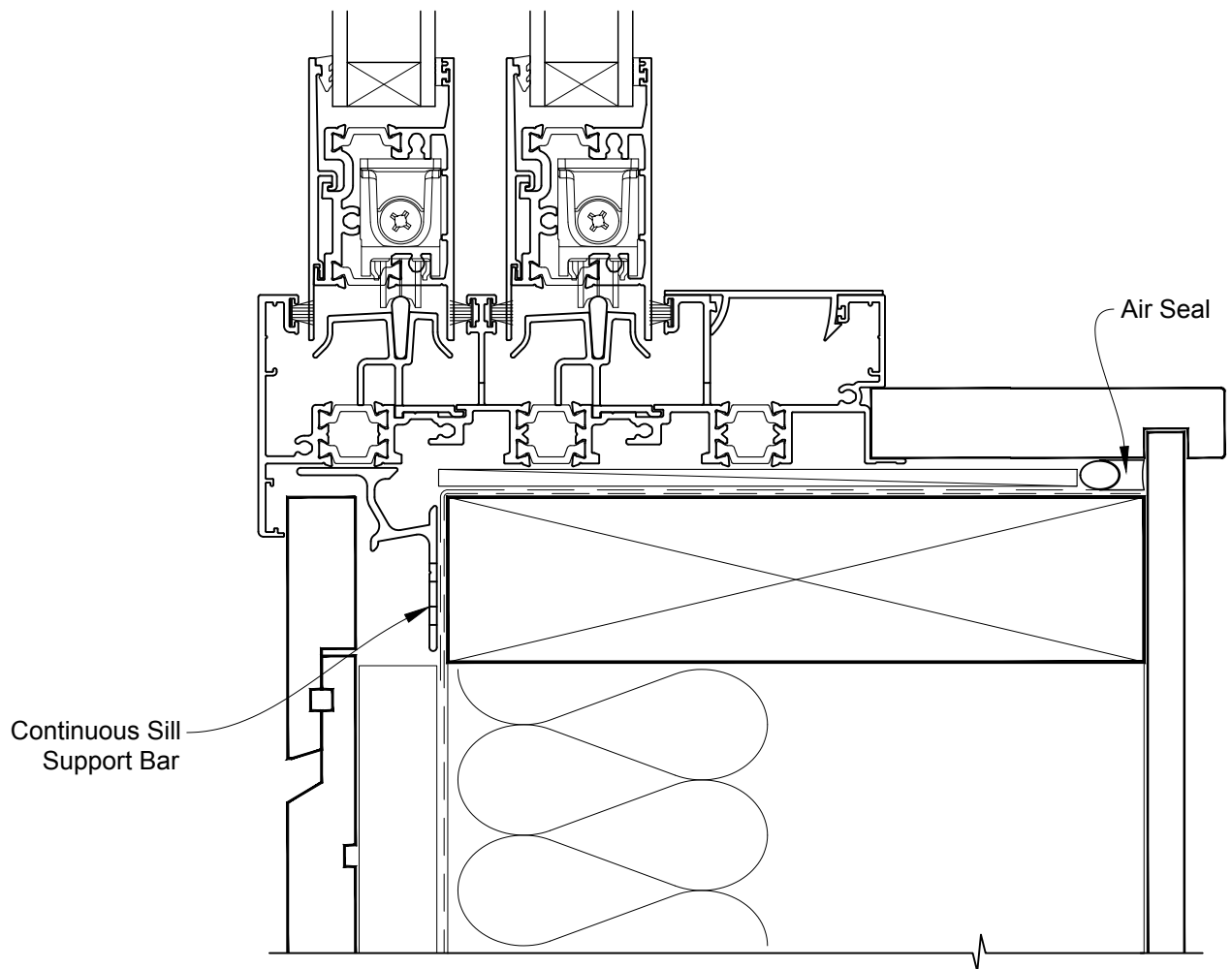


INSTALLATION DETAIL - METRO THERMAL HEART MULTISLIDER WINDOW ON RUSTICATED WEATHERBOARD CAVITY CONSTRUCTION

Date: 01.09.16

Scale: 1:2

CAD Ref.: MTMWRW-CS



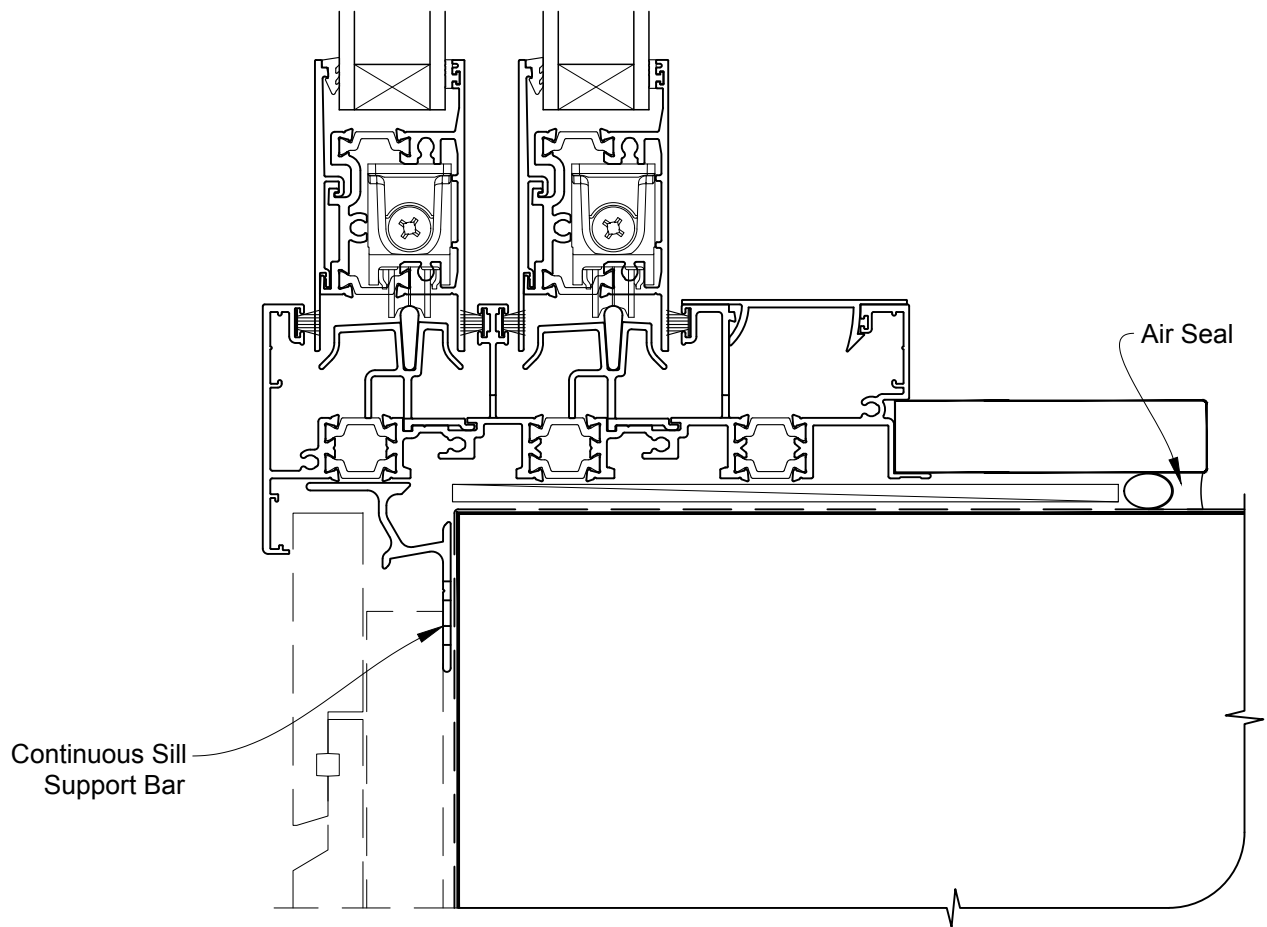


INSTALLATION DETAIL - METRO THERMAL HEART MULTISLIDER WINDOW ON RUSTICATED WEATHERBOARD CAVITY CONSTRUCTION

Date: 01.09.16

Scale: 1:2

CAD Ref.: MTMWRW-CS2



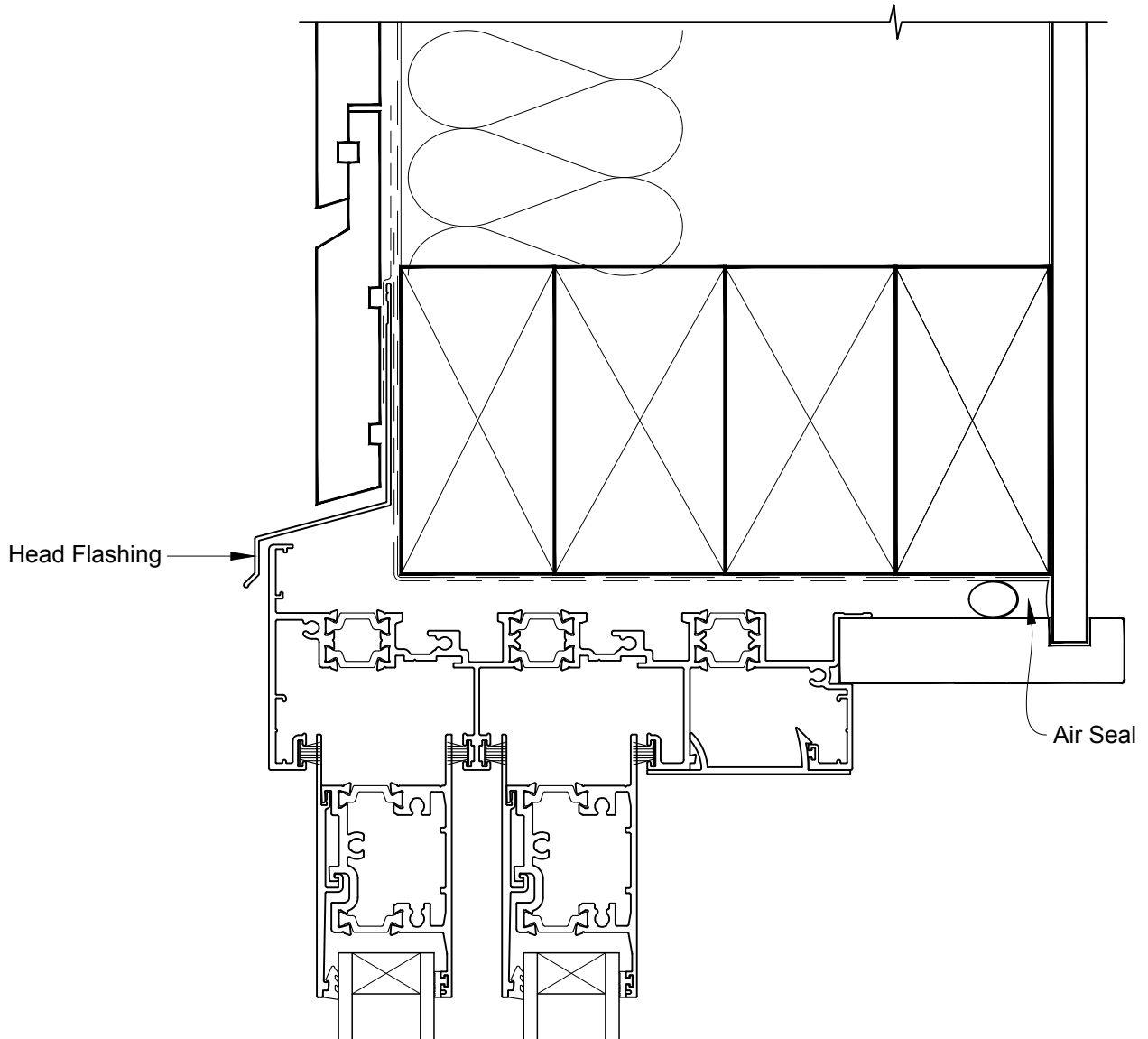


INSTALLATION DETAIL - METRO THERMAL HEART MULTISLIDER WINDOW ON RUSTICATED WEATHERBOARD DIRECT FIXED CLADDING

Date: 01.09.16

Scale: 1:2

CAD Ref.: MTMWRW-DH



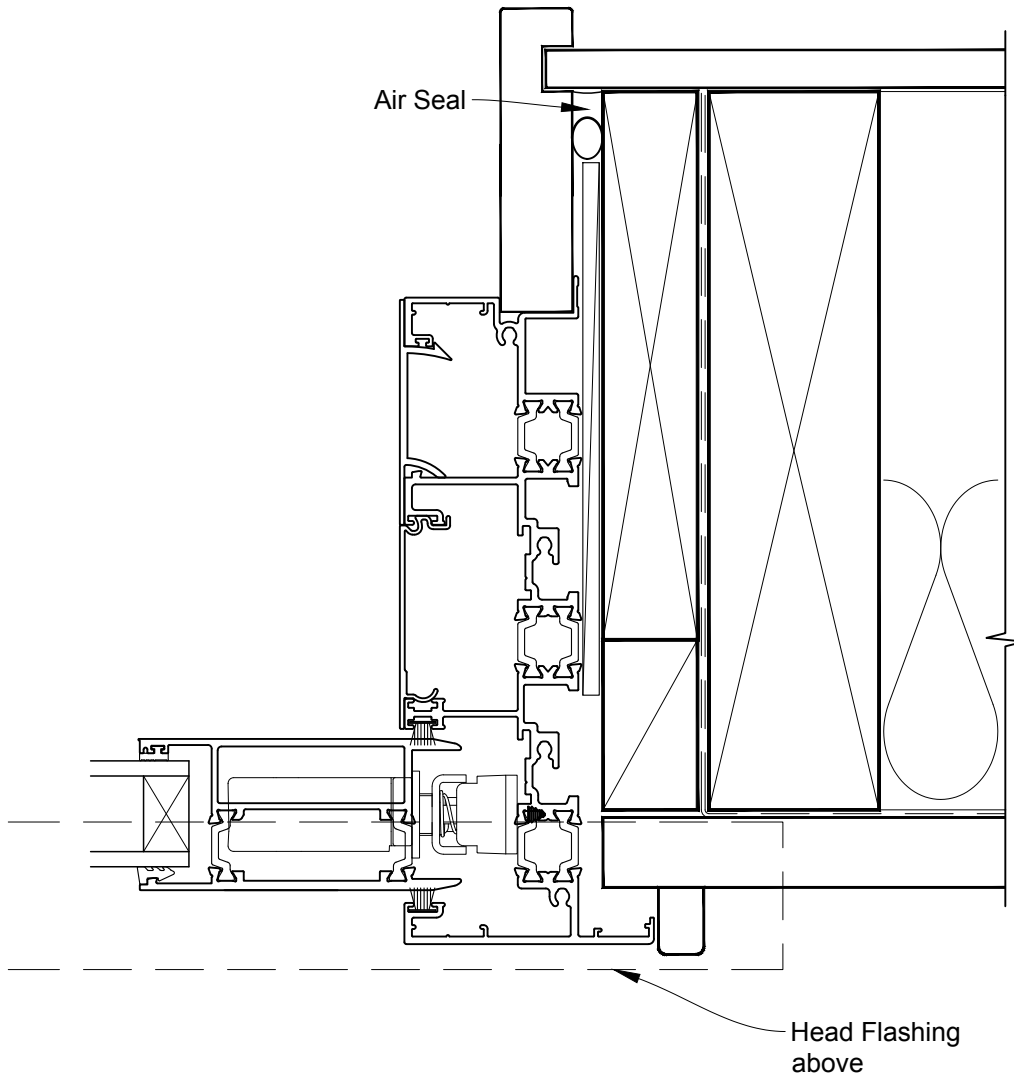


INSTALLATION DETAIL - METRO THERMAL HEART MULTISLIDER WINDOW ON RUSTICATED WEATHERBOARD DIRECT FIXED CLADDING

Date: 01.09.16

Scale: 1:2

CAD Ref.: MTMWRW-DJ



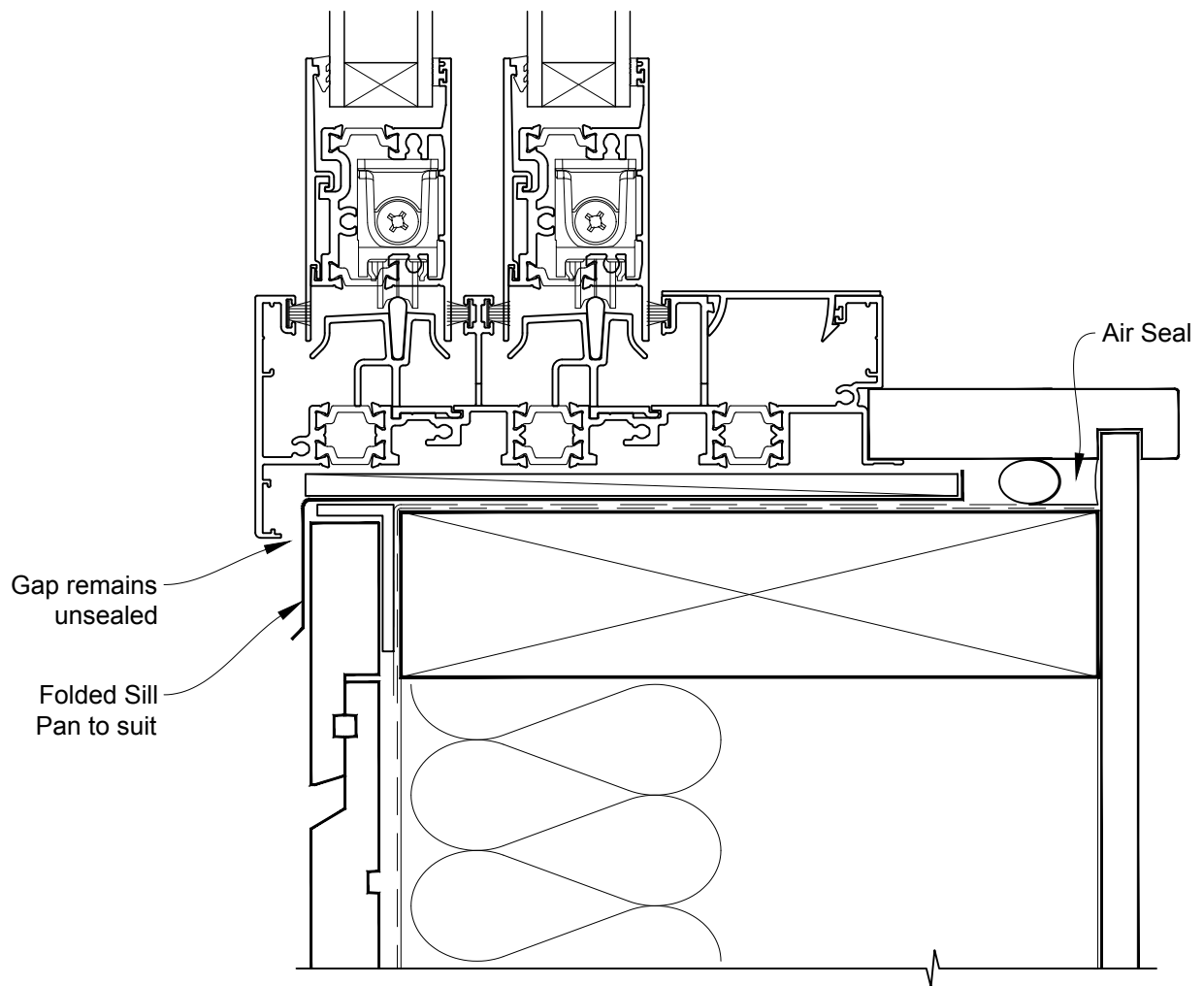


INSTALLATION DETAIL - METRO THERMAL HEART MULTISLIDER WINDOW ON RUSTICATED WEATHERBOARD DIRECT FIXED CLADDING

Date: 01.09.16

Scale: 1:2

CAD Ref.: MTMWRW-DS





INSTALLATION DETAIL - METRO THERMAL HEART MULTISLIDER WINDOW ON RUSTICATED WEATHERBOARD DIRECT FIXED CLADDING

Date: 01.09.16

Scale: 1:2

CAD Ref.: MTMWRW-DS2

