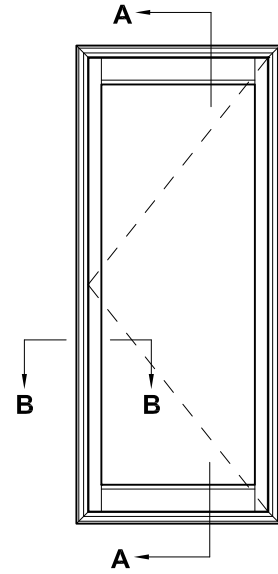
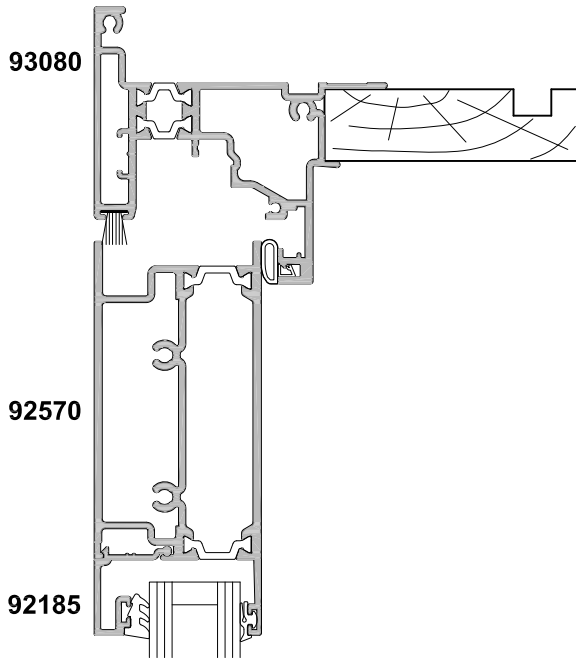
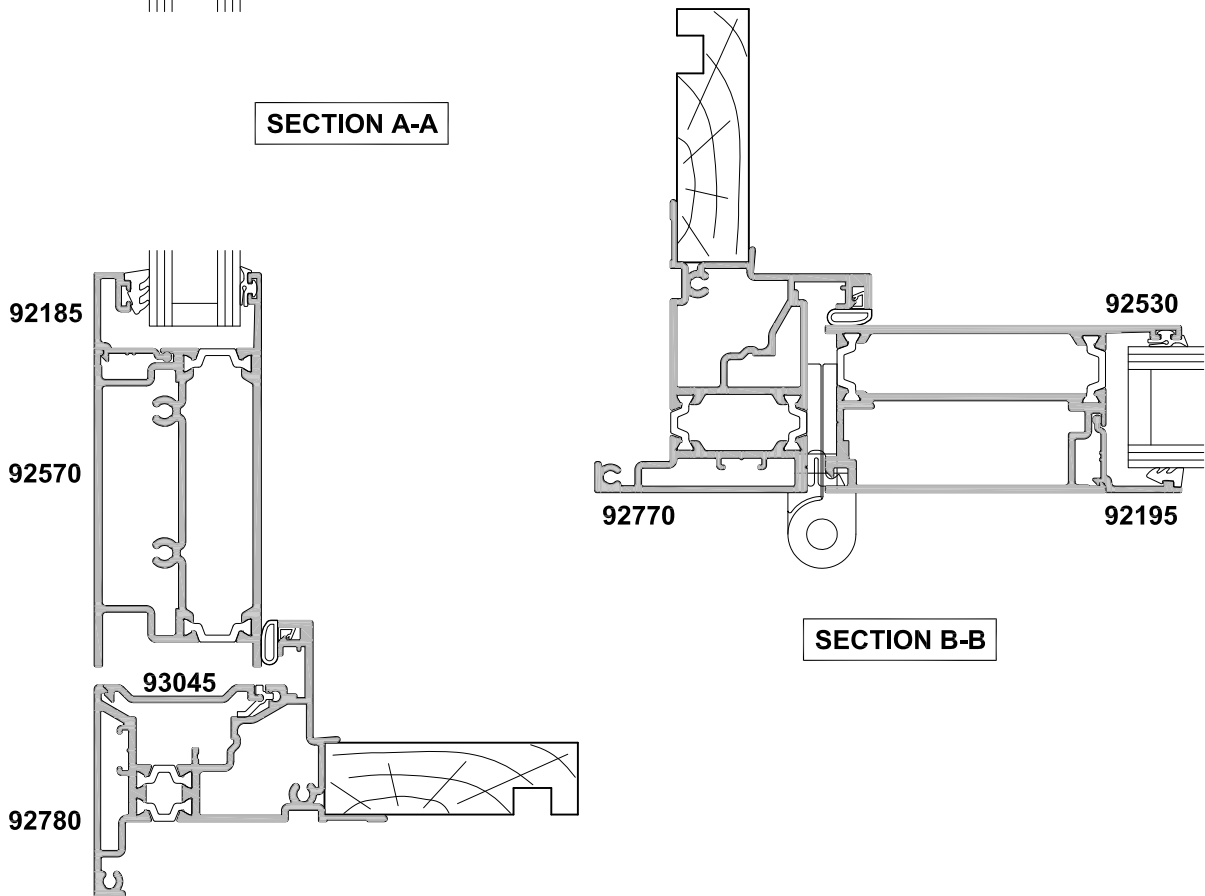


**METRO THERMAL HEART, HINGED DOOR
OPEN OUT
CROSS SECTION**

Cad Ref. ATHD02-0 Scale 1:2 Date 01.08.17



SECTION A-A



SECTION B-B