

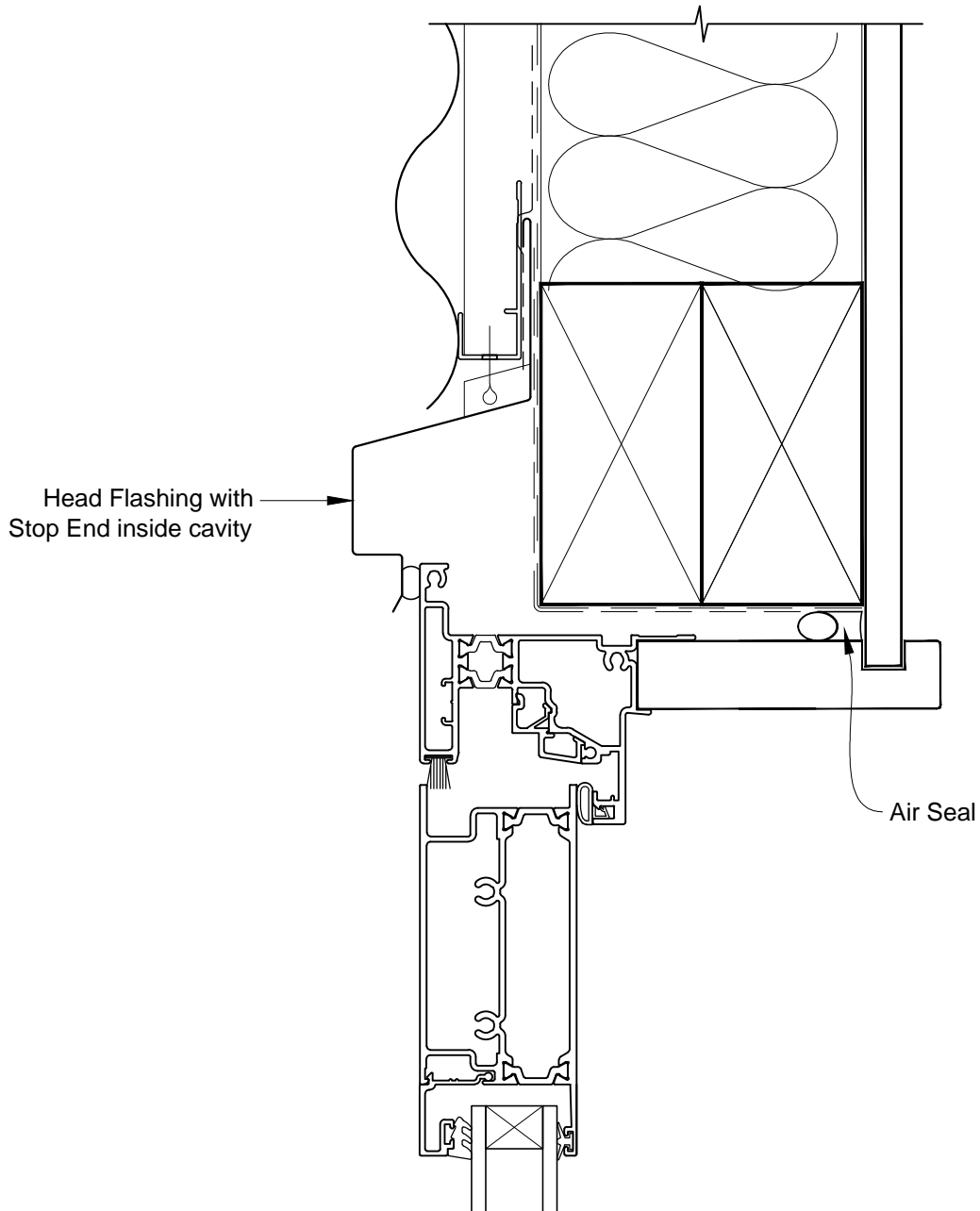


INSTALLATION DETAIL - METRO THERMAL HEART BIFOLD DOOR OPEN OUT ON PROFILE METAL CAVITY CONSTRUCTION

Date: 01.03.14

Scale: 1:2

CAD Ref.: MTBOPM-CH



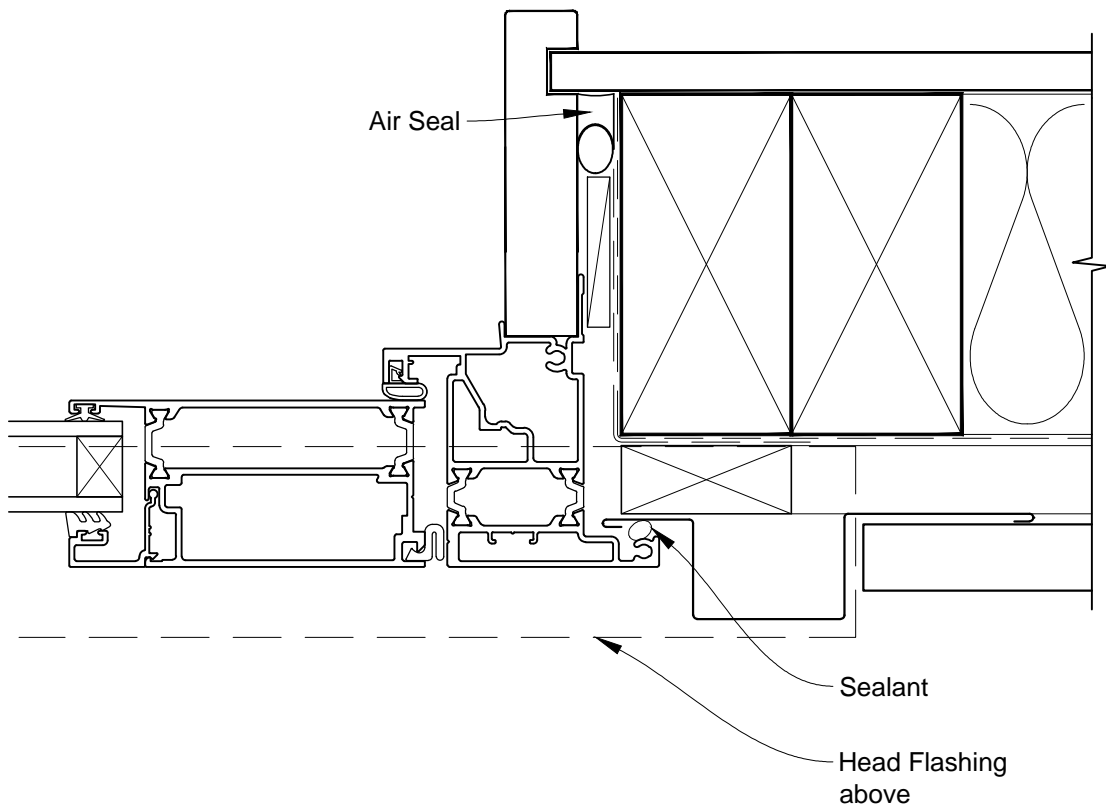


INSTALLATION DETAIL - METRO THERMAL HEART BIFOLD DOOR OPEN OUT ON PROFILE METAL CAVITY CONSTRUCTION

Date: 01.03.14

Scale: 1:2

CAD Ref.: MTBOPM-CJ



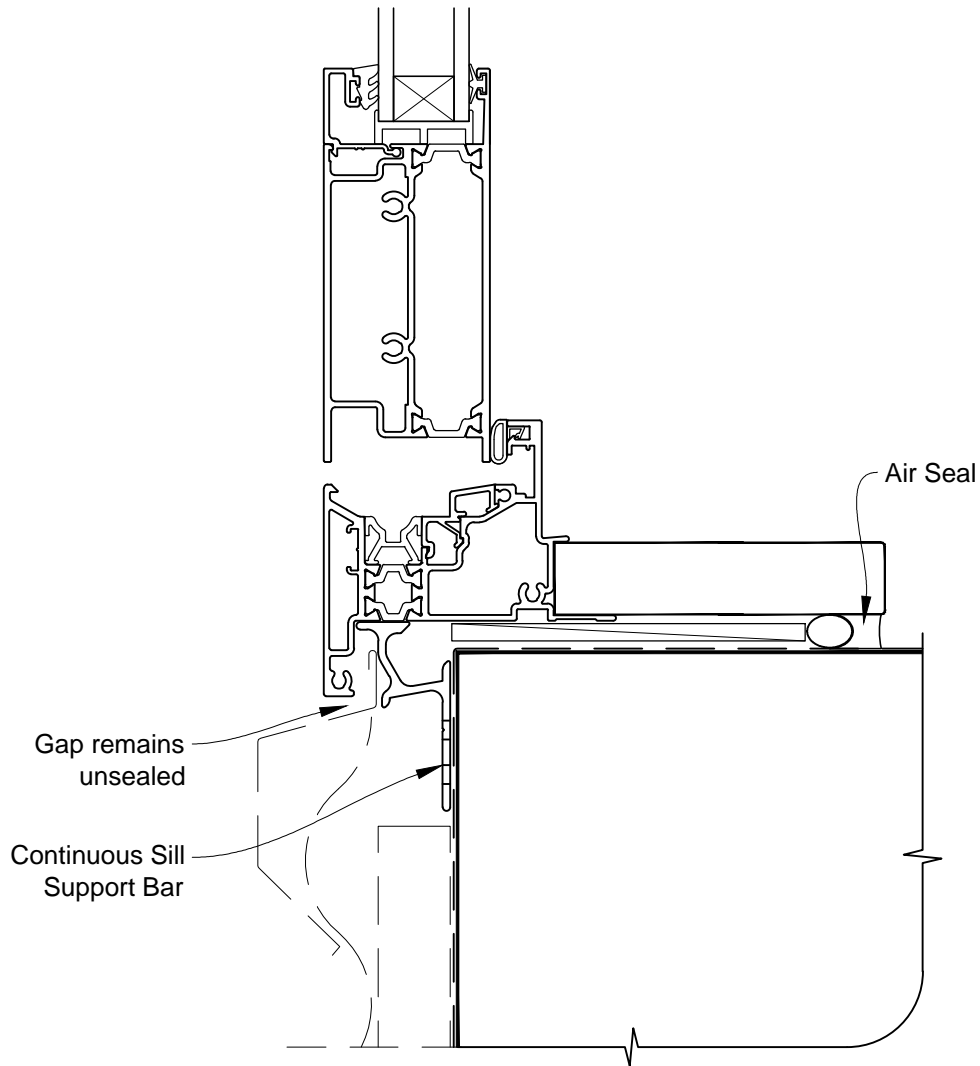


INSTALLATION DETAIL - METRO THERMAL HEART BIFOLD DOOR OPEN OUT ON PROFILE METAL CAVITY CONSTRUCTION

Date: 01.03.14

Scale: 1:2

CAD Ref.: MTBOPM-CS



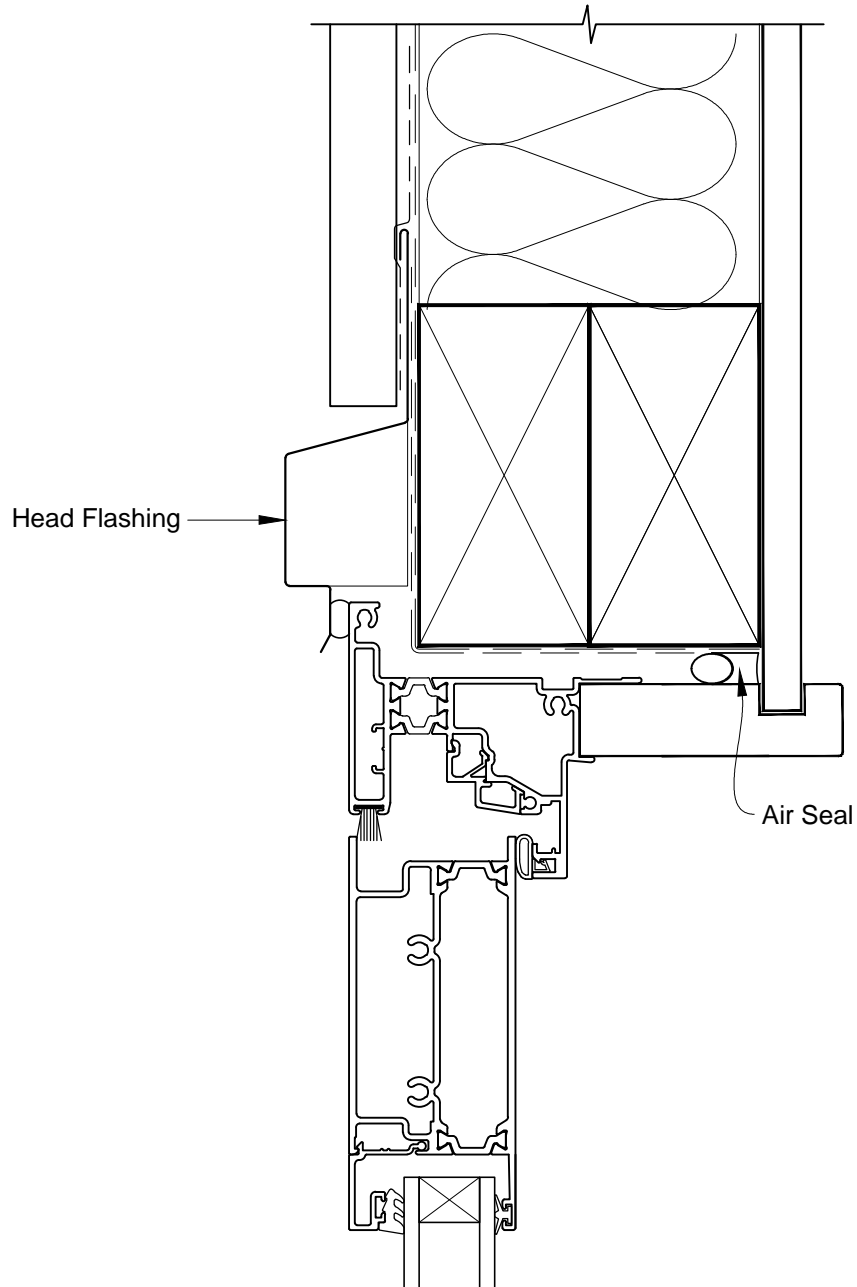


INSTALLATION DETAIL - METRO THERMAL HEART BIFOLD DOOR OPEN OUT ON PROFILE METAL DIRECT FIXED CLADDING

Date: 01.03.14

Scale: 1:2

CAD Ref.: MTBOPM-DH



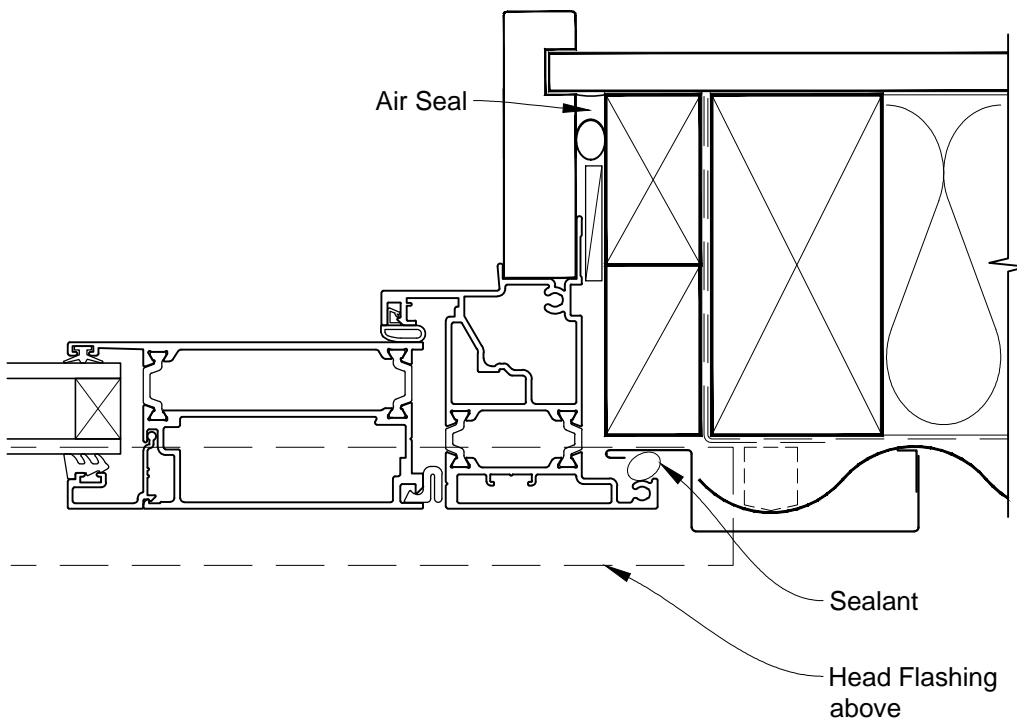


INSTALLATION DETAIL - METRO THERMAL HEART BIFOLD DOOR OPEN OUT ON PROFILE METAL DIRECT FIXED CLADDING

Date: 01.03.14

Scale: 1:2

CAD Ref.: MTBOPM-DJ





INSTALLATION DETAIL - METRO THERMAL HEART BIFOLD DOOR OPEN OUT ON PROFILE METAL DIRECT FIXED CLADDING

Date: 01.03.14

Scale: 1:2

CAD Ref.: MTBOPM-DS

