

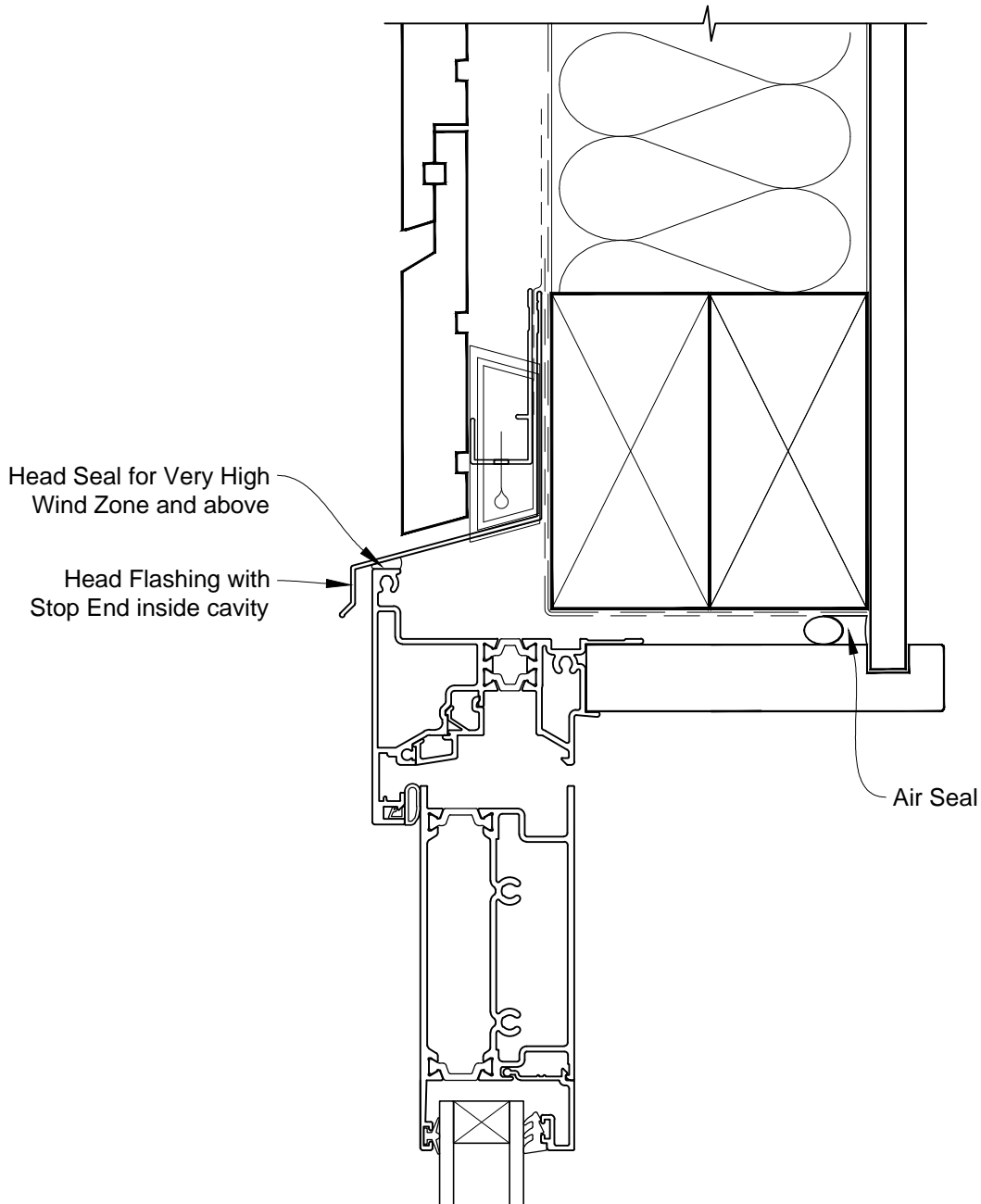


INSTALLATION DETAIL - METRO THERMAL HEART BIFOLD DOOR OPEN IN ON RUSTICATED WEATHERBOARD CAVITY CONSTRUCTION

Date: 01.03.14

Scale: 1:2

CAD Ref.: MTBIRW-CH



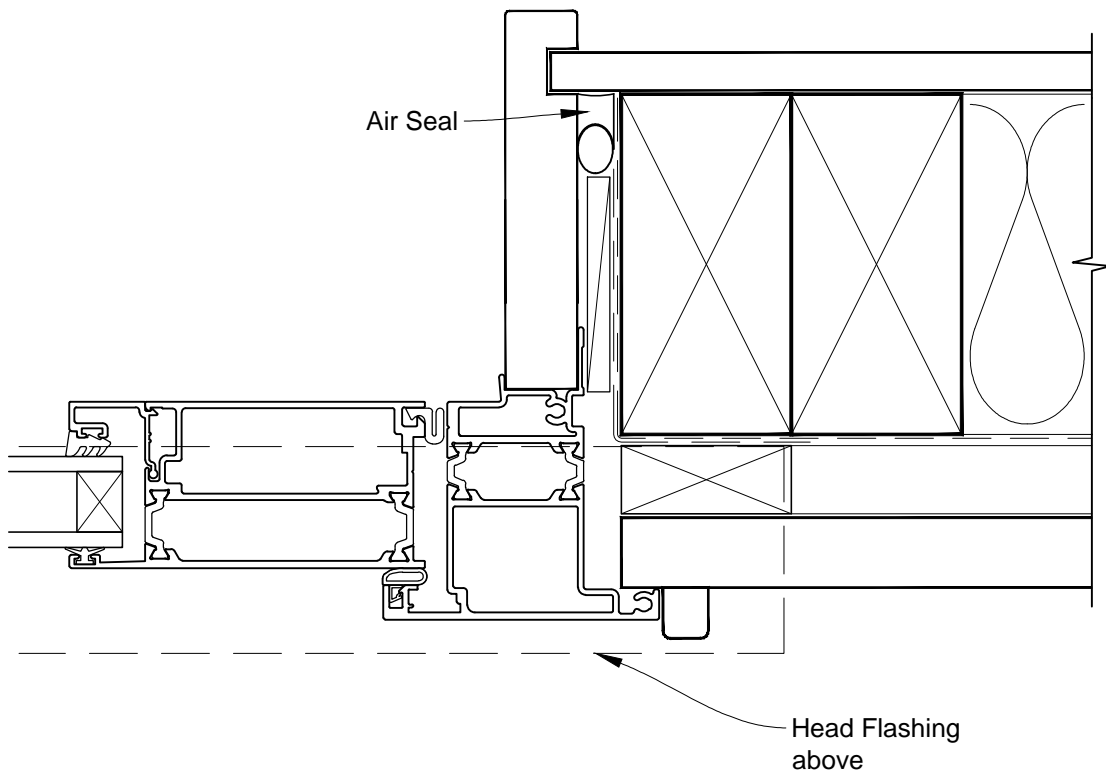


INSTALLATION DETAIL - METRO THERMAL HEART BIFOLD DOOR OPEN IN ON RUSTICATED WEATHERBOARD CAVITY CONSTRUCTION

Date: 01.03.14

Scale: 1:2

CAD Ref.: MTBIRW-CJ



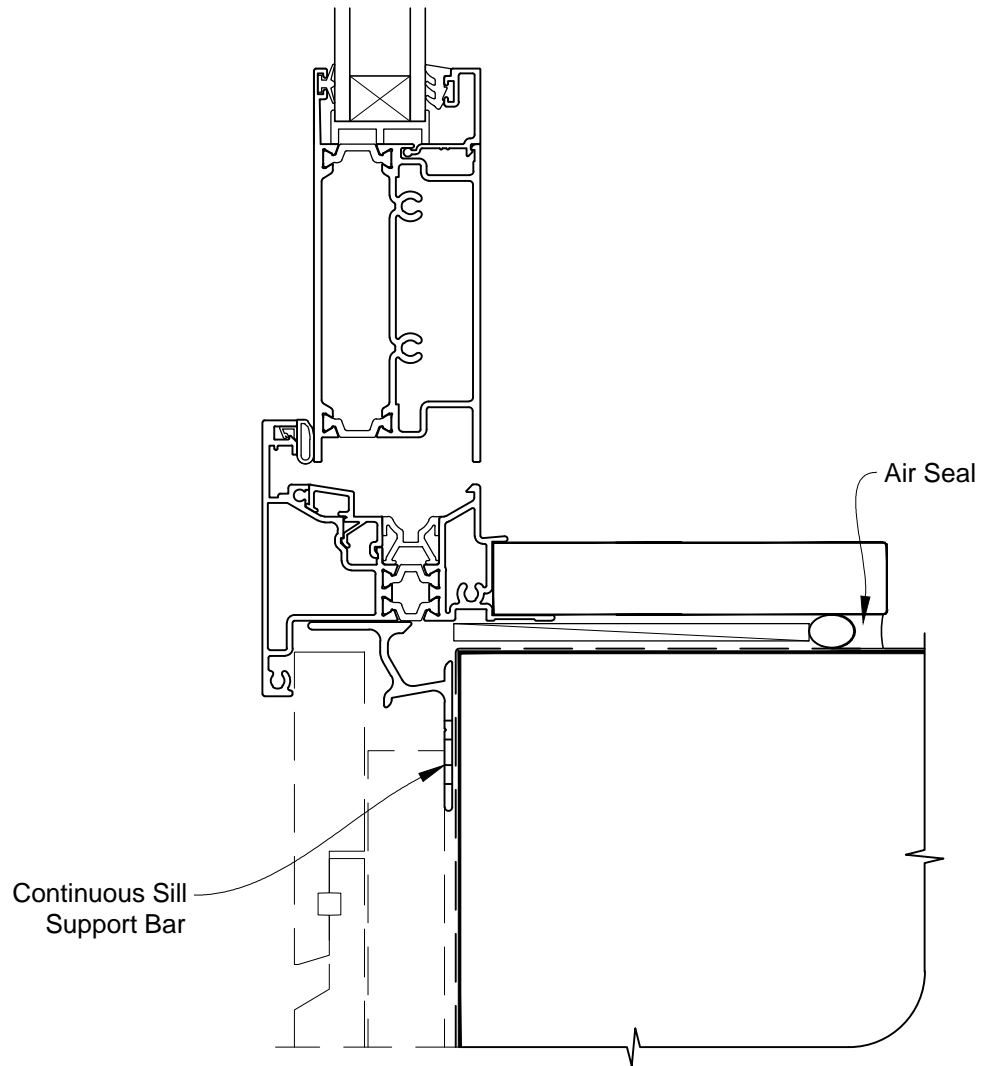


INSTALLATION DETAIL - METRO THERMAL HEART BIFOLD DOOR OPEN IN ON RUSTICATED WEATHERBOARD CAVITY CONSTRUCTION

Date: 01.03.14

Scale: 1:2

CAD Ref.: MTBIRW-CS



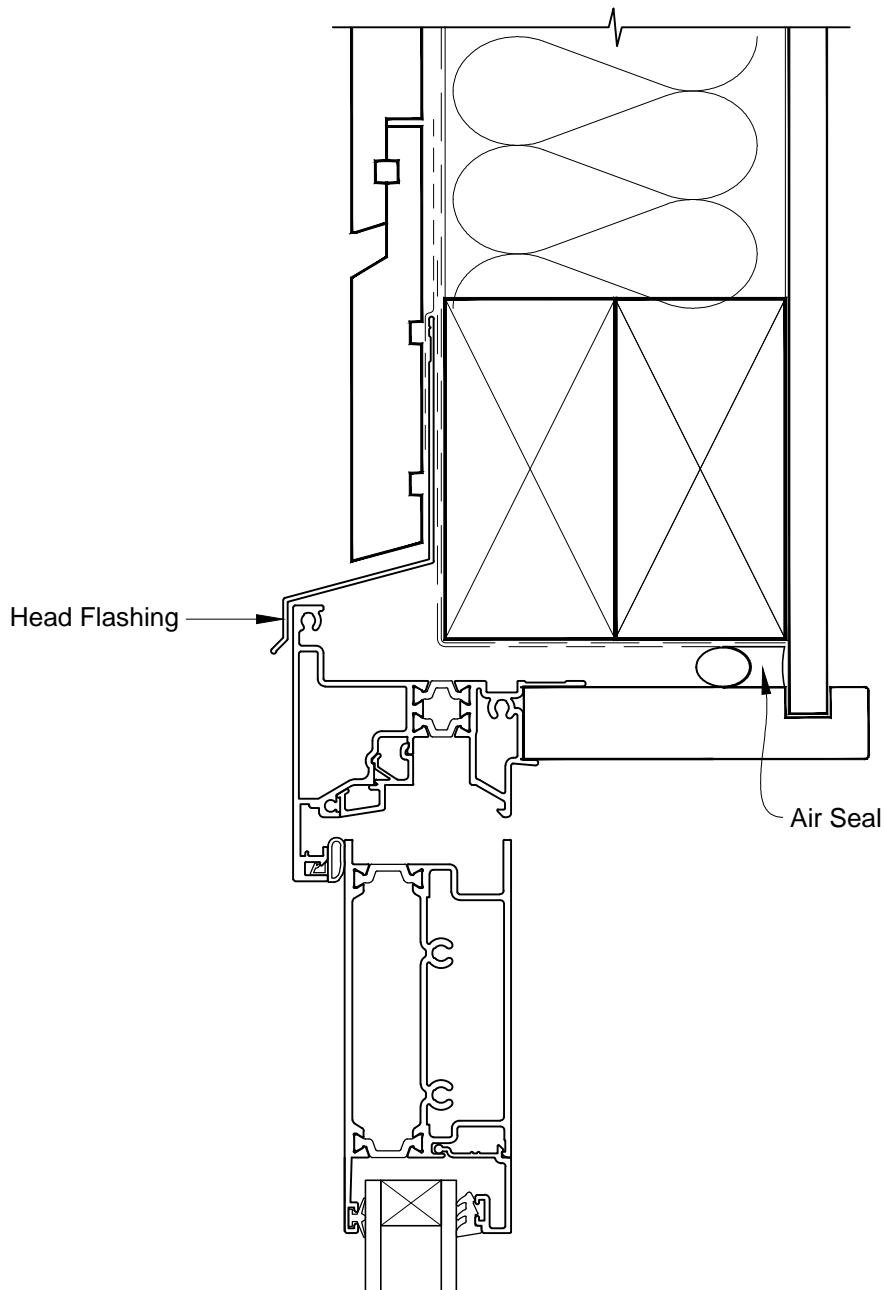


INSTALLATION DETAIL - METRO THERMAL HEART BIFOLD DOOR OPEN IN ON RUSTICATED WEATHERBOARD DIRECT FIXED CLADDING

Date: 01.03.14

Scale: 1:2

CAD Ref.: MTBIRW-DH



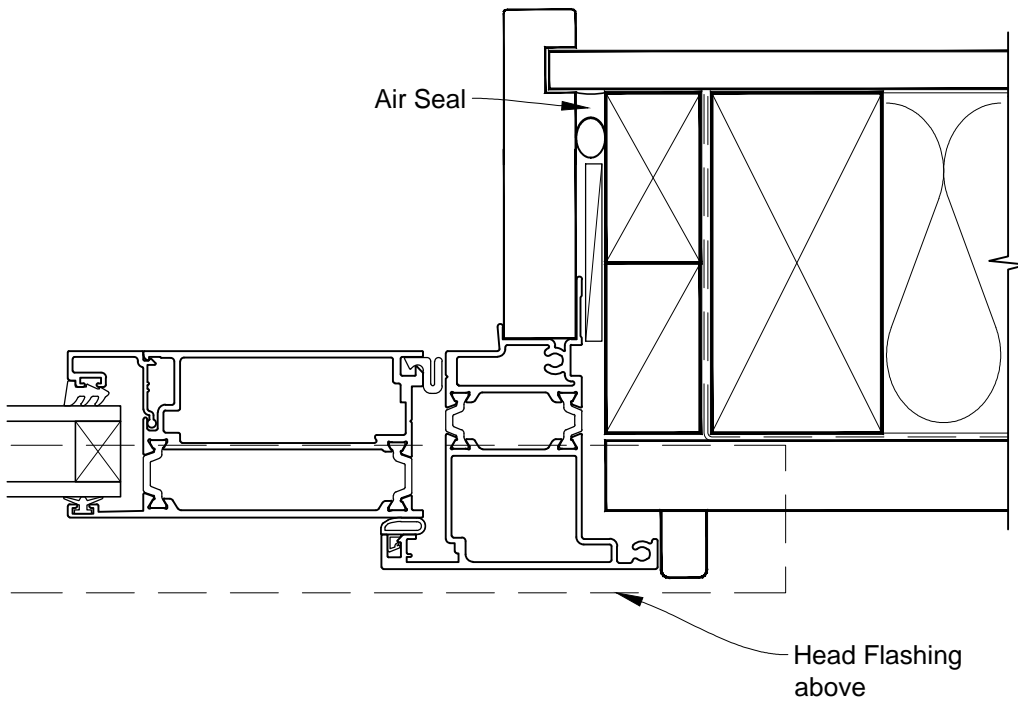


INSTALLATION DETAIL - METRO THERMAL HEART BIFOLD DOOR OPEN IN ON RUSTICATED WEATHERBOARD DIRECT FIXED CLADDING

Date: 01.03.14

Scale: 1:2

CAD Ref.: MTBIRW-DJ





INSTALLATION DETAIL - METRO THERMAL HEART BIFOLD DOOR OPEN IN ON RUSTICATED WEATHERBOARD DIRECT FIXED CLADDING

Date: 01.03.14

Scale: 1:2

CAD Ref.: MTBIRW-DS

