

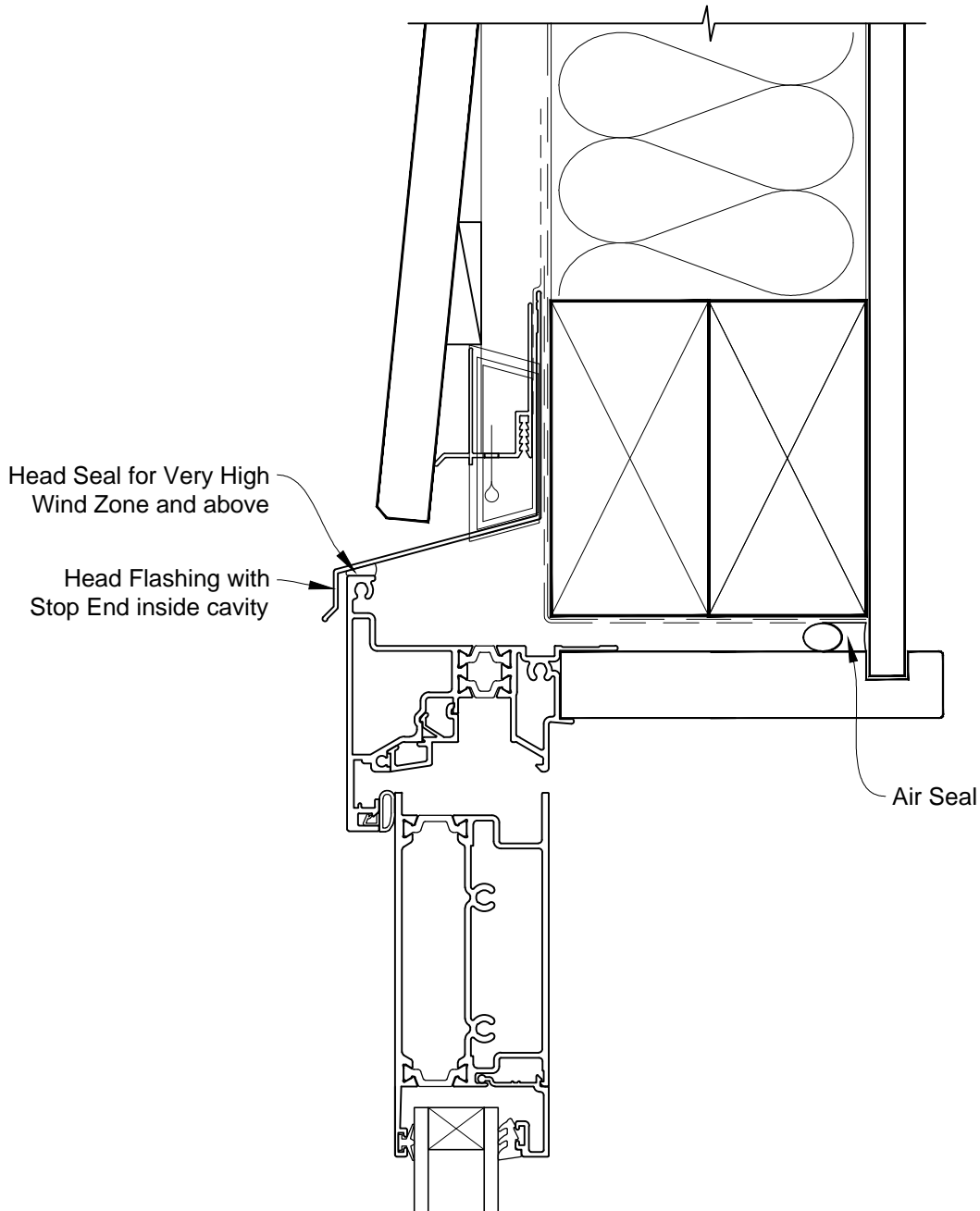


INSTALLATION DETAIL - METRO THERMAL HEART BIFOLD DOOR OPEN IN ON BEVELBACK WEATHERBOARD CAVITY CONSTRUCTION

Date: 01.03.14

Scale: 1:2

CAD Ref.: MTBIBW-CH



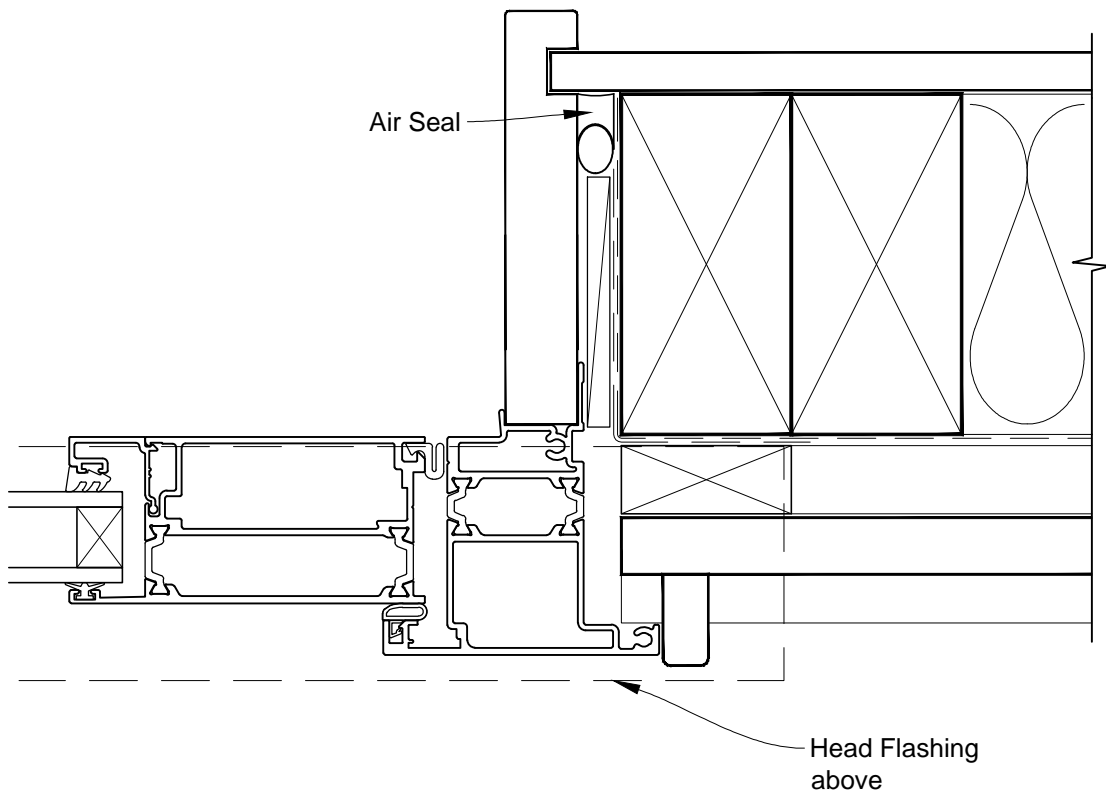


INSTALLATION DETAIL - METRO THERMAL HEART BIFOLD DOOR OPEN IN ON BEVELBACK WEATHERBOARD CAVITY CONSTRUCTION

Date: 01.03.14

Scale: 1:2

CAD Ref.: MTBIBW-CJ



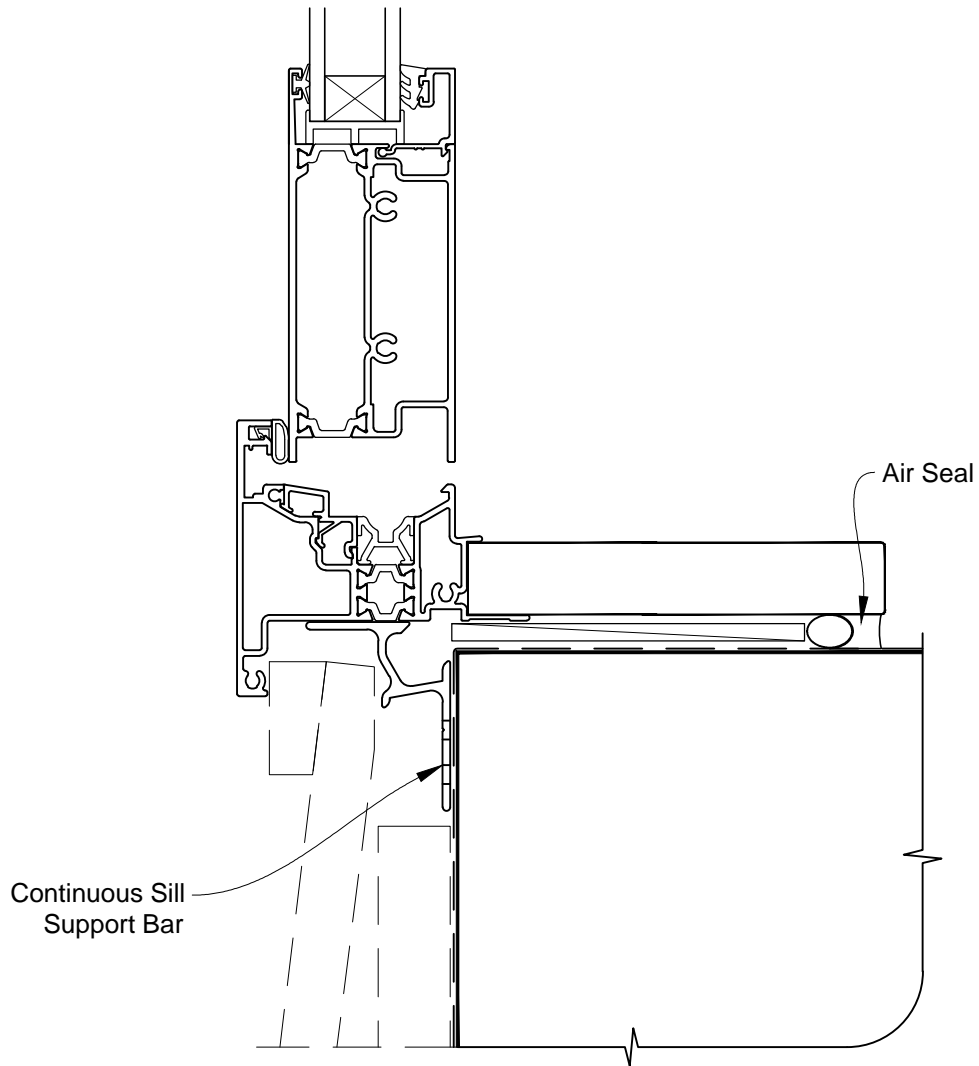


INSTALLATION DETAIL - METRO THERMAL HEART BIFOLD DOOR OPEN IN ON BEVELBACK WEATHERBOARD CAVITY CONSTRUCTION

Date: 01.03.14

Scale: 1:2

CAD Ref.: MTBIBW-CS



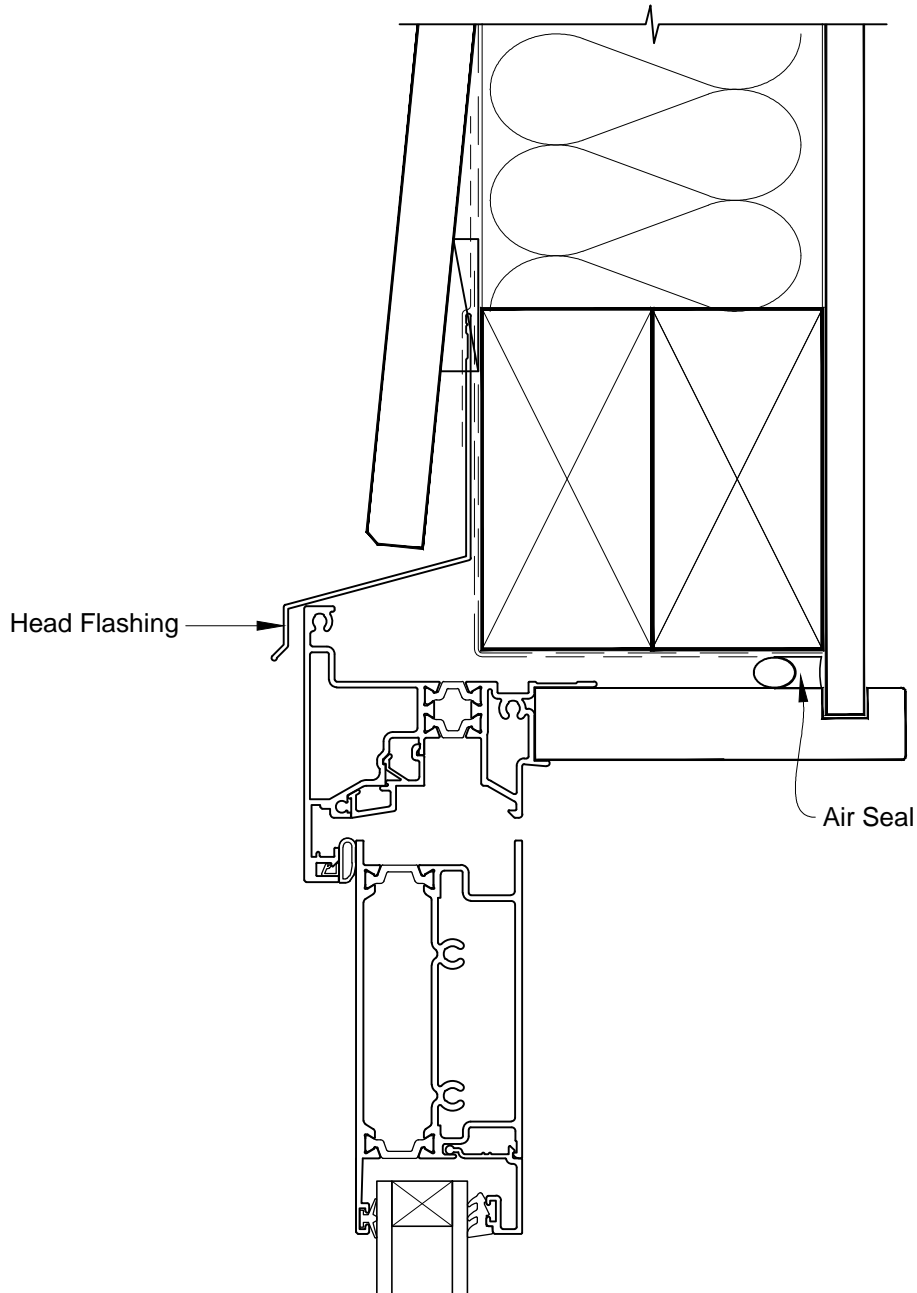


INSTALLATION DETAIL - METRO THERMAL HEART BIFOLD DOOR OPEN IN ON BEVELBACK WEATHERBOARD DIRECT FIXED CLADDING

Date: 01.03.14

Scale: 1:2

CAD Ref.: MTBIBW-DH



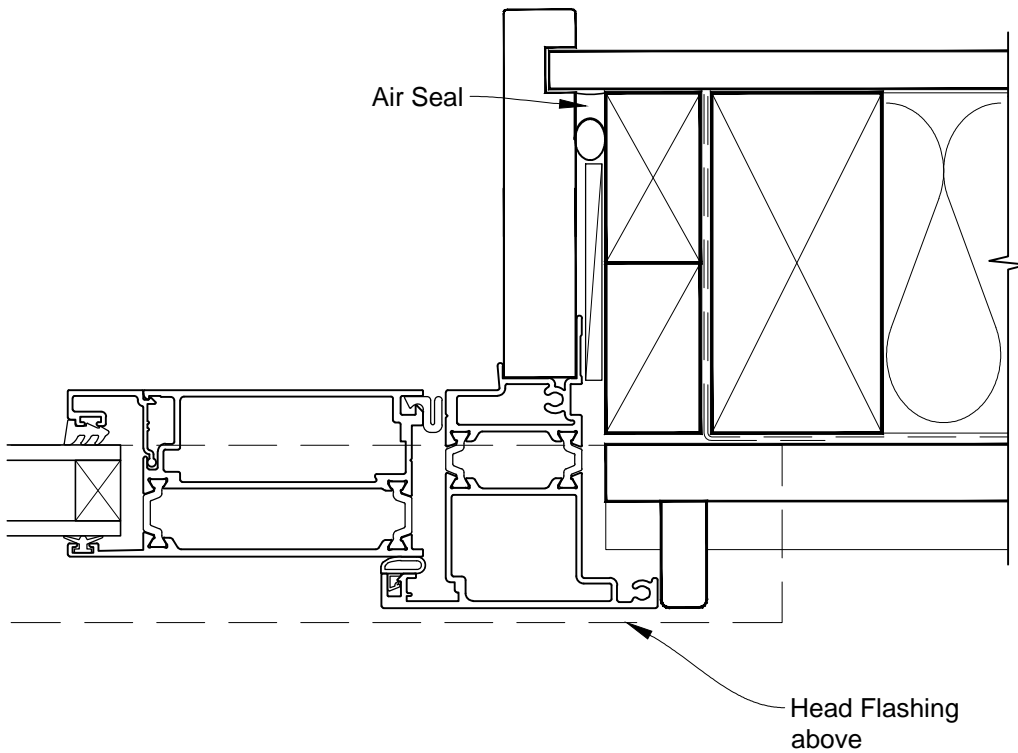


**INSTALLATION DETAIL - METRO THERMAL HEART
BIFOLD DOOR OPEN IN ON BEVELBACK WEATHERBOARD
DIRECT FIXED CLADDING**

Date: 01.03.14

Scale: 1:2

CAD Ref.: MTBIBW-DJ





INSTALLATION DETAIL - METRO THERMAL HEART BIFOLD DOOR OPEN IN ON BEVELBACK WEATHERBOARD DIRECT FIXED CLADDING

Date: 01.03.14

Scale: 1:2

CAD Ref.: MTBIBW-DS

