

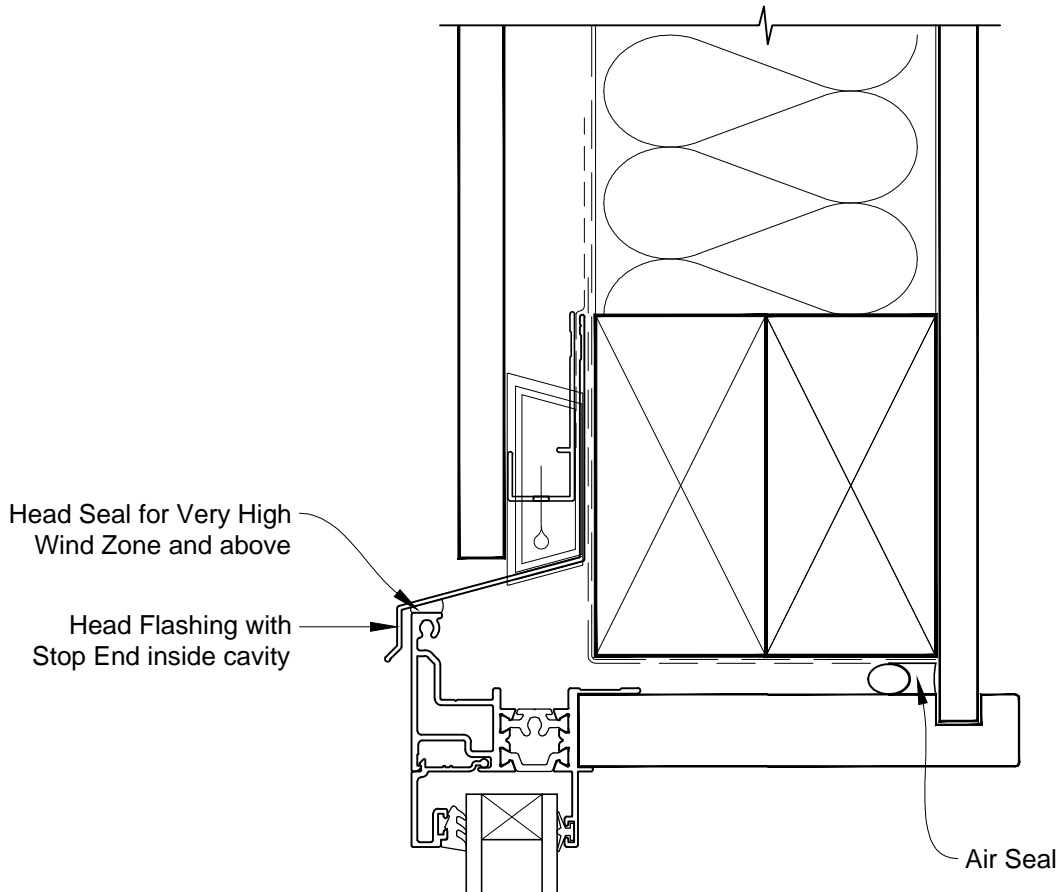


INSTALLATION DETAIL - METRO THERMAL HEART AWNING WINDOW ON FLAT SHEET CAVITY CONSTRUCTION

Date: 01.03.14

Scale: 1:2

CAD Ref.: MTAWFS-CH



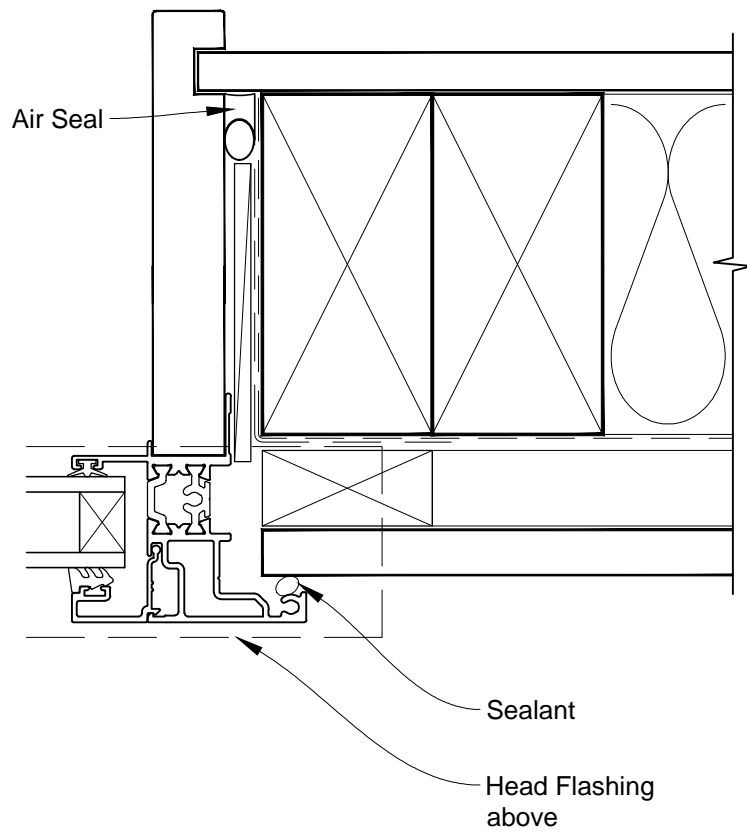


INSTALLATION DETAIL - METRO THERMAL HEART AWNING WINDOW ON FLAT SHEET CAVITY CONSTRUCTION

Date: 01.03.14

Scale: 1:2

CAD Ref.: MTAWFS-CJ



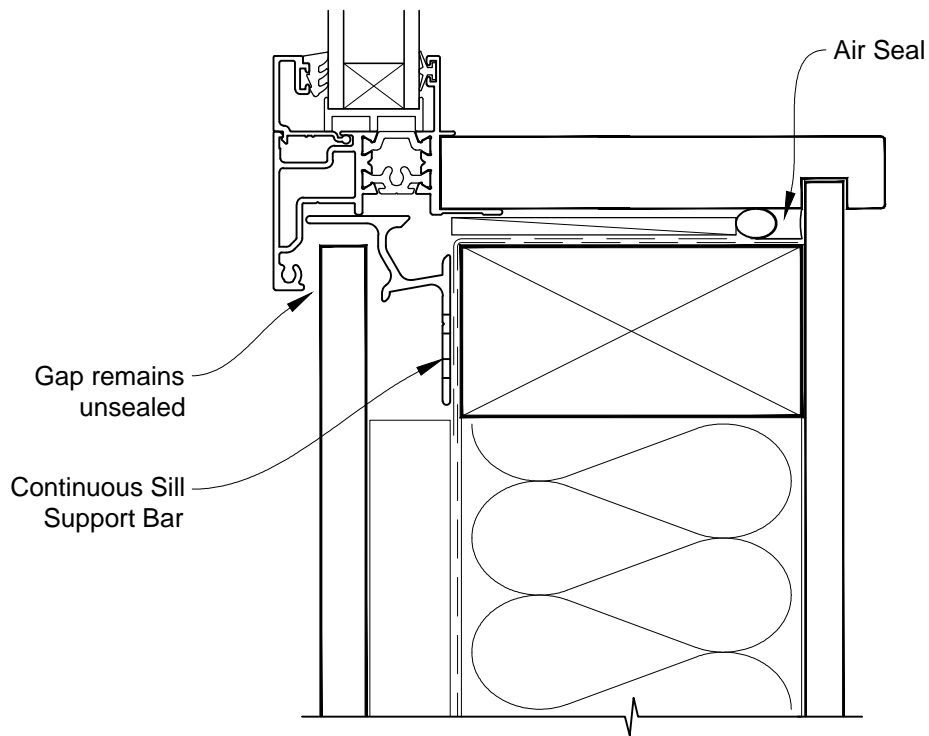


INSTALLATION DETAIL - METRO THERMAL HEART AWNING WINDOW ON FLAT SHEET CAVITY CONSTRUCTION

Date: 01.03.14

Scale: 1:2

CAD Ref.: MTAWFS-CS



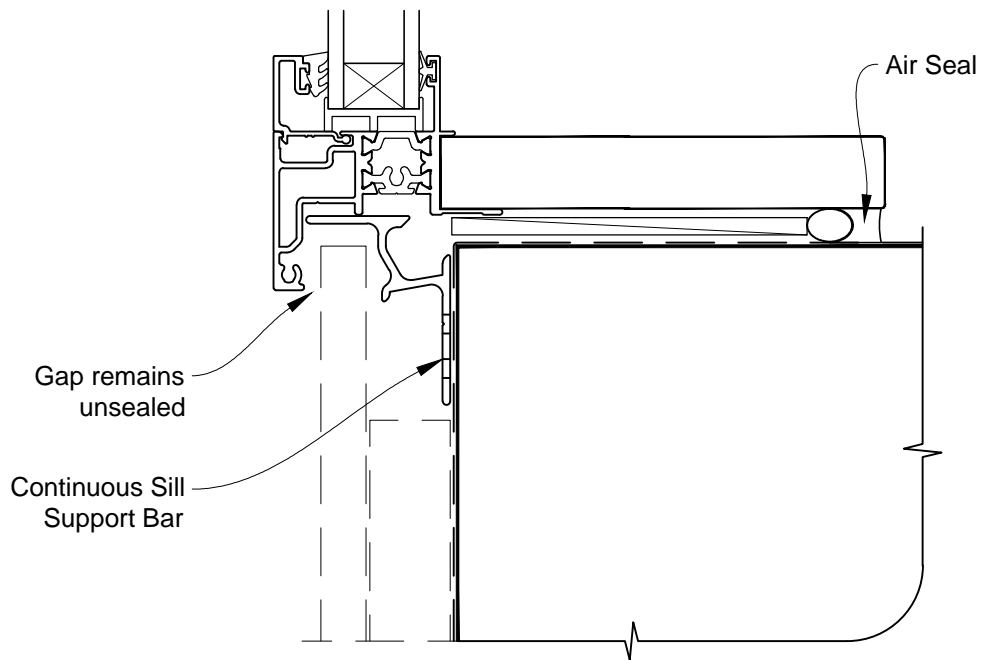


INSTALLATION DETAIL - METRO THERMAL HEART AWNING WINDOW ON FLAT SHEET CAVITY CONSTRUCTION

Date: 01.03.14

Scale: 1:2

CAD Ref.: MTAWFS-CS2



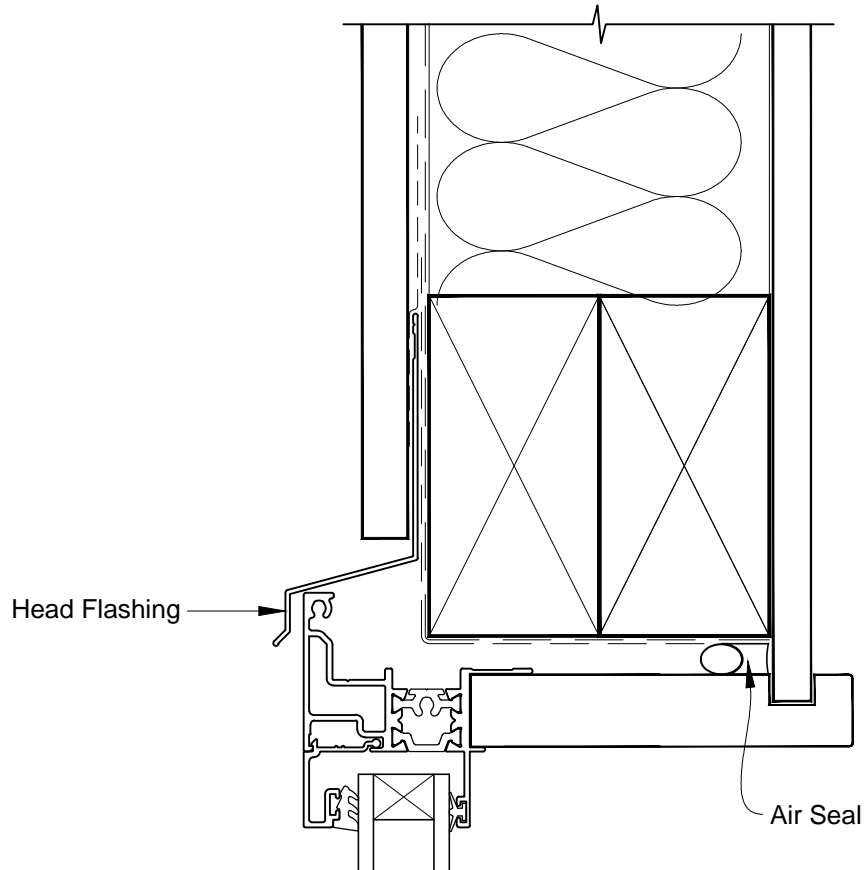


**INSTALLATION DETAIL - METRO THERMAL HEART
AWNING WINDOW ON FLAT SHEET
DIRECT FIXED CLADDING**

Date: 01.03.14

Scale: 1:2

CAD Ref.: MTAWFS-DH



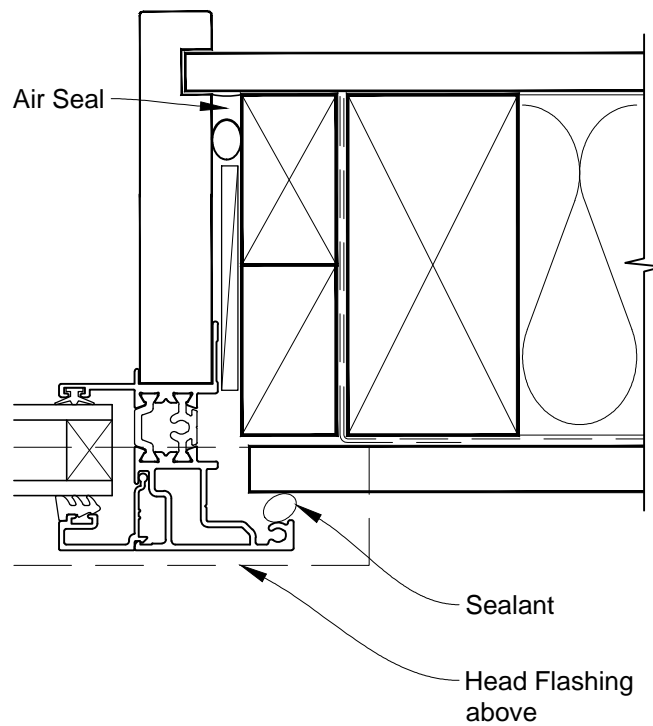


INSTALLATION DETAIL - METRO THERMAL HEART AWNING WINDOW ON FLAT SHEET DIRECT FIXED CLADDING

Date: 01.03.14

Scale: 1:2

CAD Ref.: MTAWFS-DJ



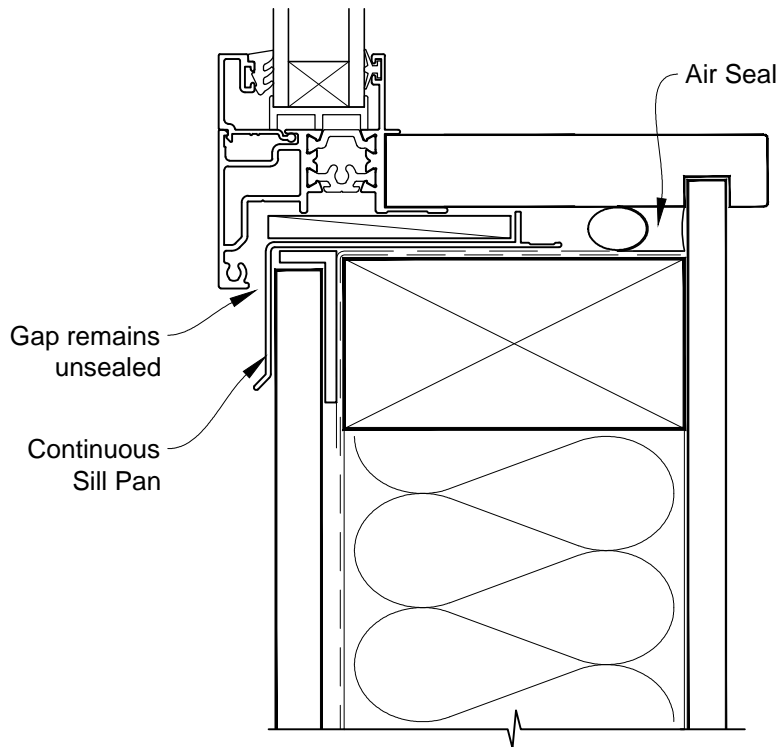


INSTALLATION DETAIL - METRO THERMAL HEART AWNING WINDOW ON FLAT SHEET DIRECT FIXED CLADDING

Date: 01.03.14

Scale: 1:2

CAD Ref.: MTAWFS-DS





INSTALLATION DETAIL - METRO THERMAL HEART AWNING WINDOW ON FLAT SHEET DIRECT FIXED CLADDING

Date: 01.03.14

Scale: 1:2

CAD Ref.: MTAWFS-DS2

