

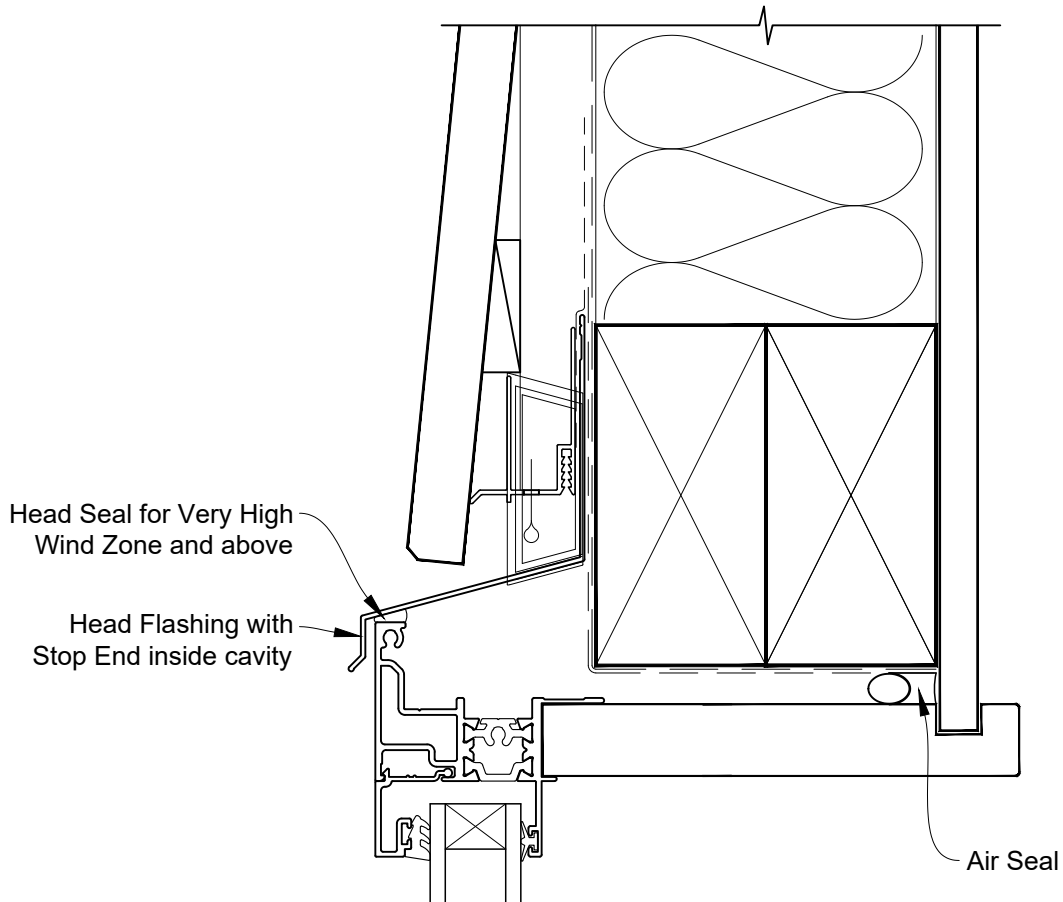


# INSTALLATION DETAIL - METRO THERMAL HEART AWNING WINDOW ON BEVELBACK WEATHERBOARD CAVITY CONSTRUCTION

Date: 01.08.17

Scale: 1:2

CAD Ref.: MTAWBW-CH



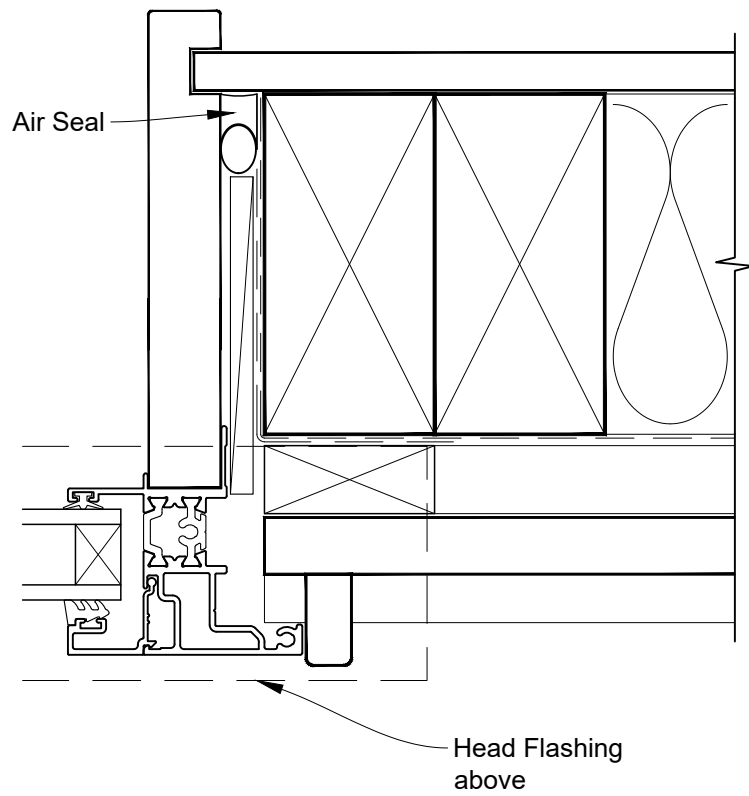


# INSTALLATION DETAIL - METRO THERMAL HEART AWNING WINDOW ON BEVELBACK WEATHERBOARD CAVITY CONSTRUCTION

Date: 01.08.17

Scale: 1:2

CAD Ref.: MTAWBW-CJ



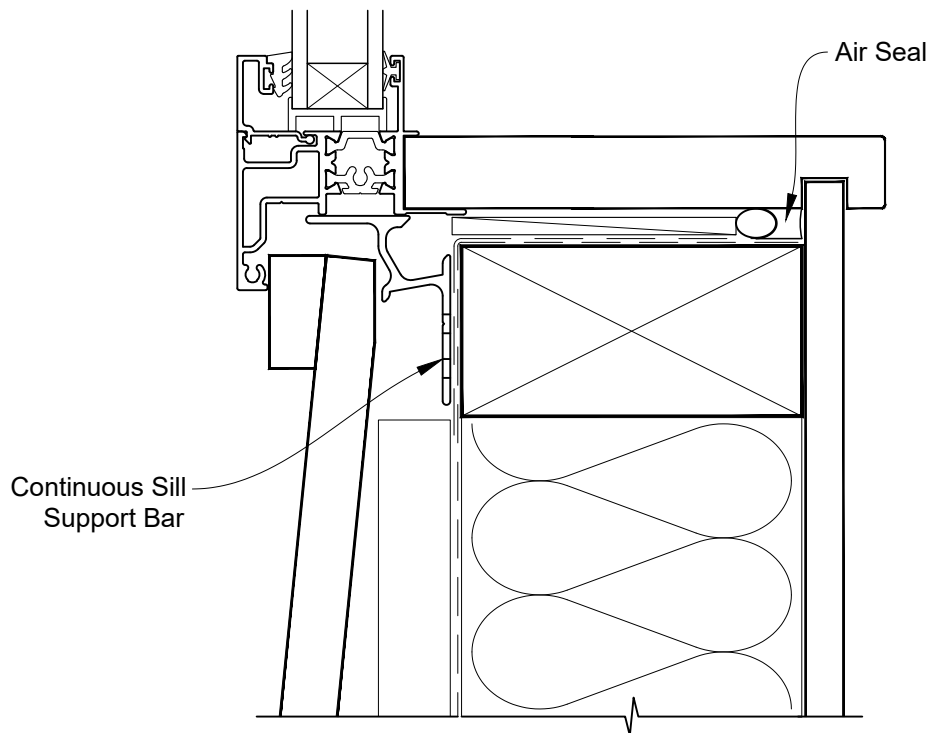


# INSTALLATION DETAIL - METRO THERMAL HEART AWNING WINDOW ON BEVELBACK WEATHERBOARD CAVITY CONSTRUCTION

Date: 01.08.17

Scale: 1:2

CAD Ref.: MTAWBW-CS



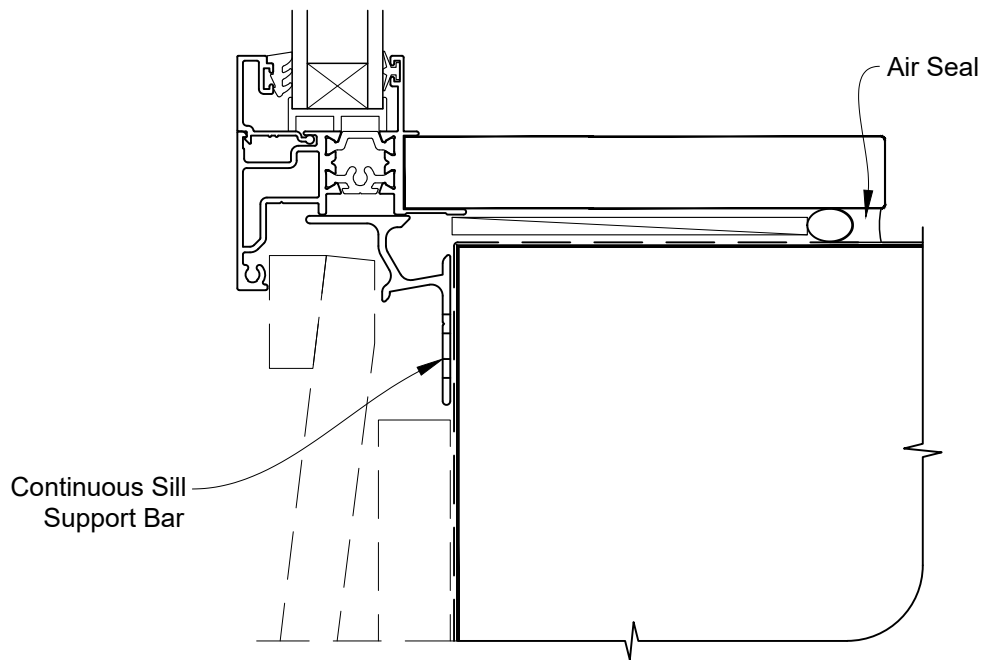


# INSTALLATION DETAIL - METRO THERMAL HEART AWNING WINDOW ON BEVELBACK WEATHERBOARD CAVITY CONSTRUCTION

Date: 01.08.17

Scale: 1:2

CAD Ref.: MTAWBW-CS2



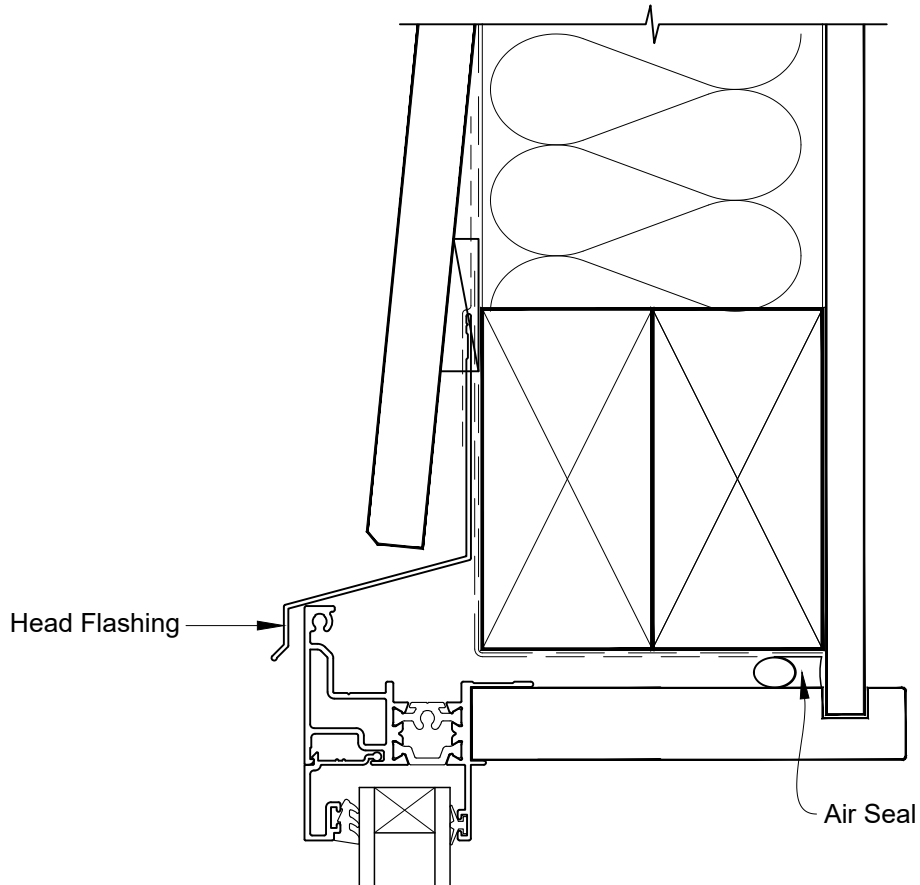


# INSTALLATION DETAIL - METRO THERMAL HEART AWNING WINDOW ON BEVELBACK WEATHERBOARD DIRECT FIXED CLADDING

Date: 01.08.17

Scale: 1:2

CAD Ref.: MTAWBW-DH



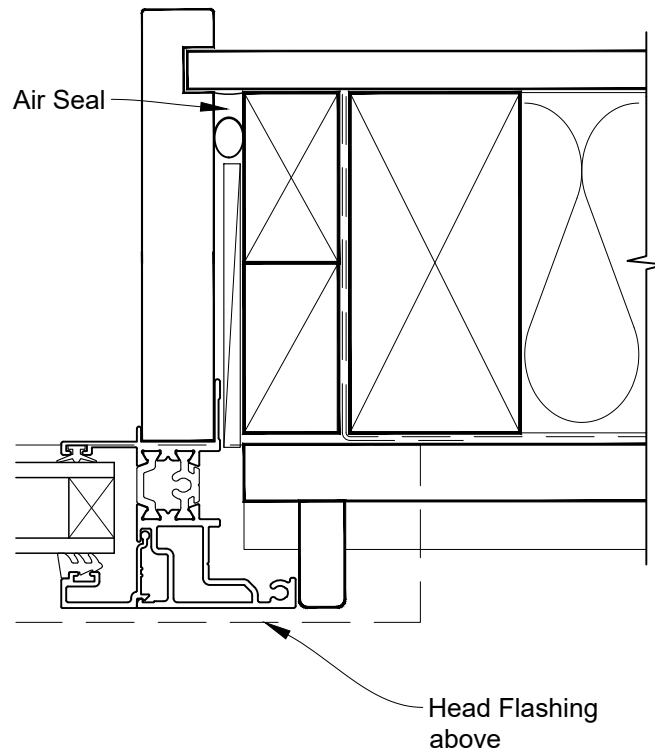


# INSTALLATION DETAIL - METRO THERMAL HEART AWNING WINDOW ON BEVELBACK WEATHERBOARD DIRECT FIXED CLADDING

Date: 01.08.17

Scale: 1:2

CAD Ref.: MTAWBW-DJ



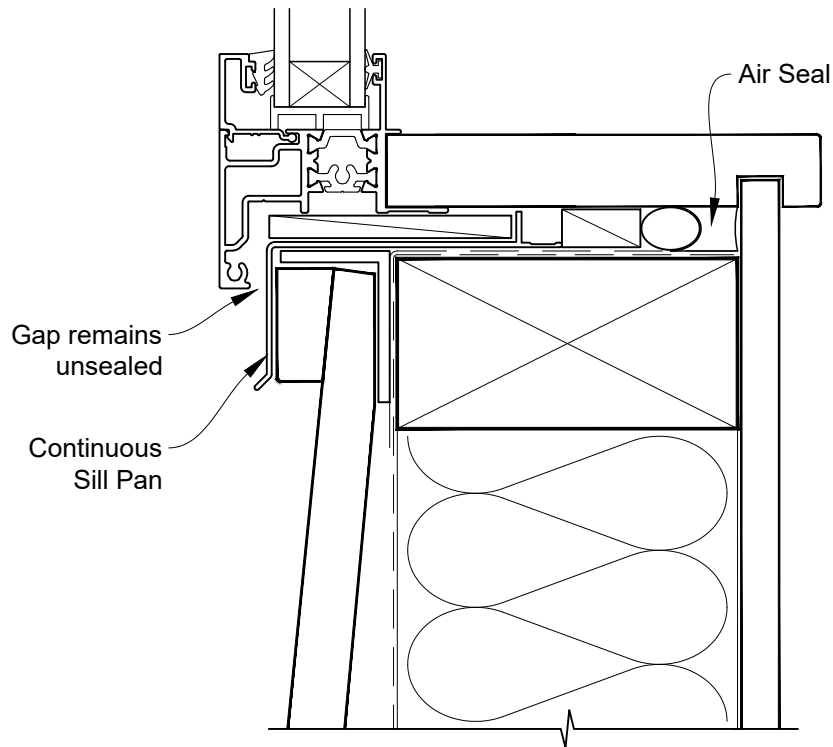


# INSTALLATION DETAIL - METRO THERMAL HEART AWNING WINDOW ON BEVELBACK WEATHERBOARD DIRECT FIXED CLADDING

Date: 01.08.17

Scale: 1:2

CAD Ref.: MTAWBW-DS





# INSTALLATION DETAIL - METRO THERMAL HEART AWNING WINDOW ON BEVELBACK WEATHERBOARD DIRECT FIXED CLADDING

Date: 01.08.17

Scale: 1:2

CAD Ref.: MTAWBW-DS2

