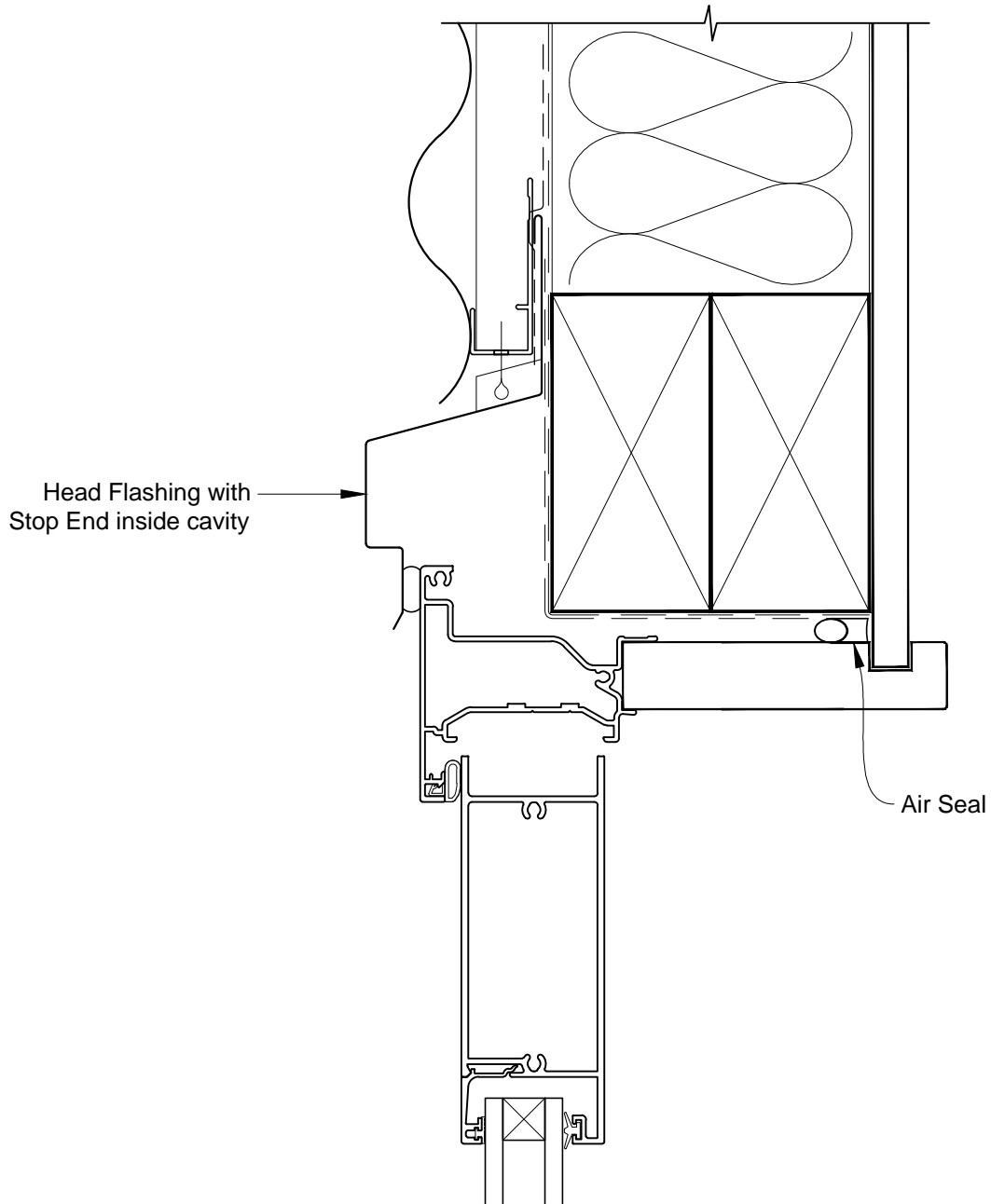


**INSTALLATION DETAIL - METRO SERIES  
HINGED DOOR OPEN IN ON PROFILE METAL  
CAVITY CONSTRUCTION**

Date: 01.03.14

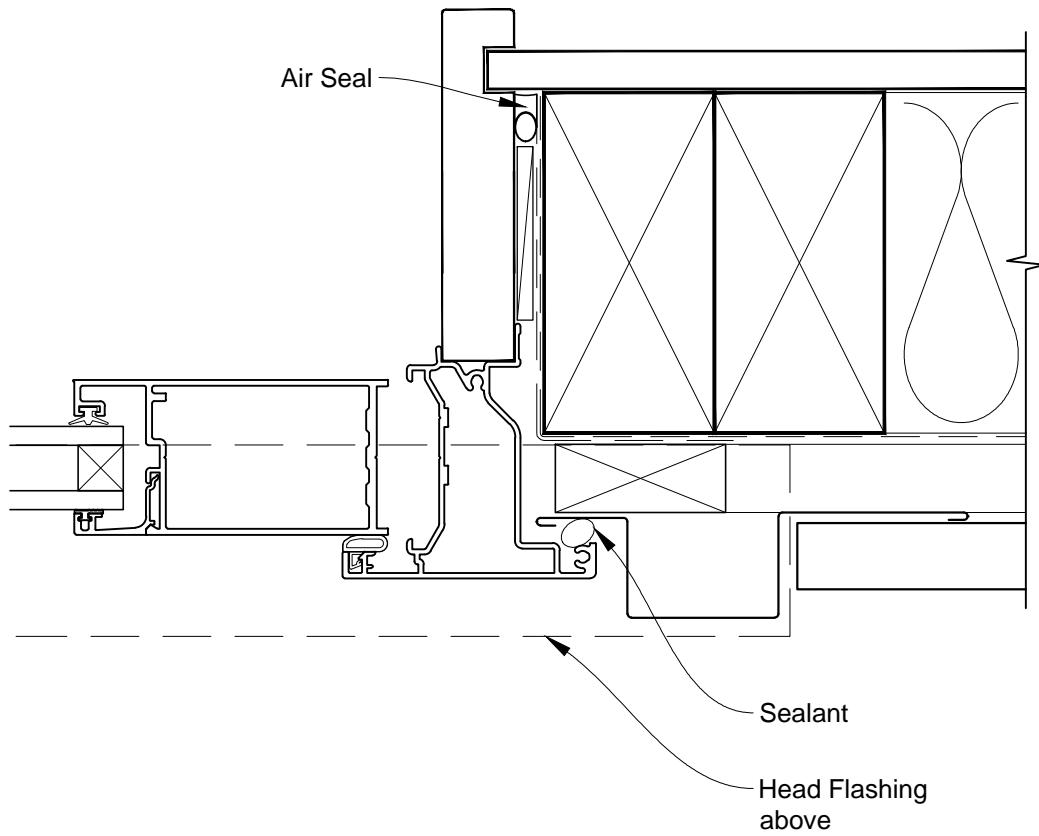
Scale: 1:2

CAD Ref.: MSHIPM-CH



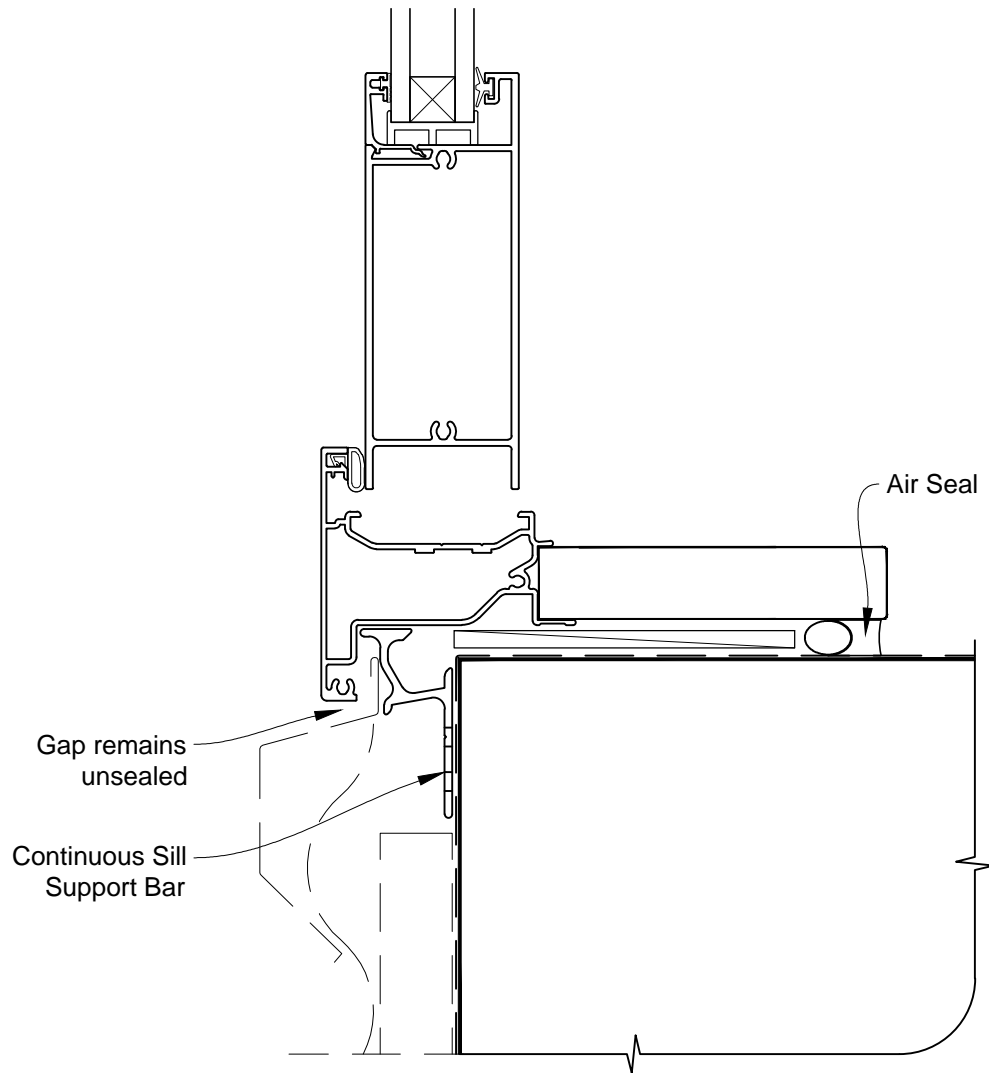
**INSTALLATION DETAIL - METRO SERIES  
HINGED DOOR OPEN IN ON PROFILE METAL  
CAVITY CONSTRUCTION**

Date: 01.03.14      Scale: 1:2      CAD Ref.: MSHIPM-CJ



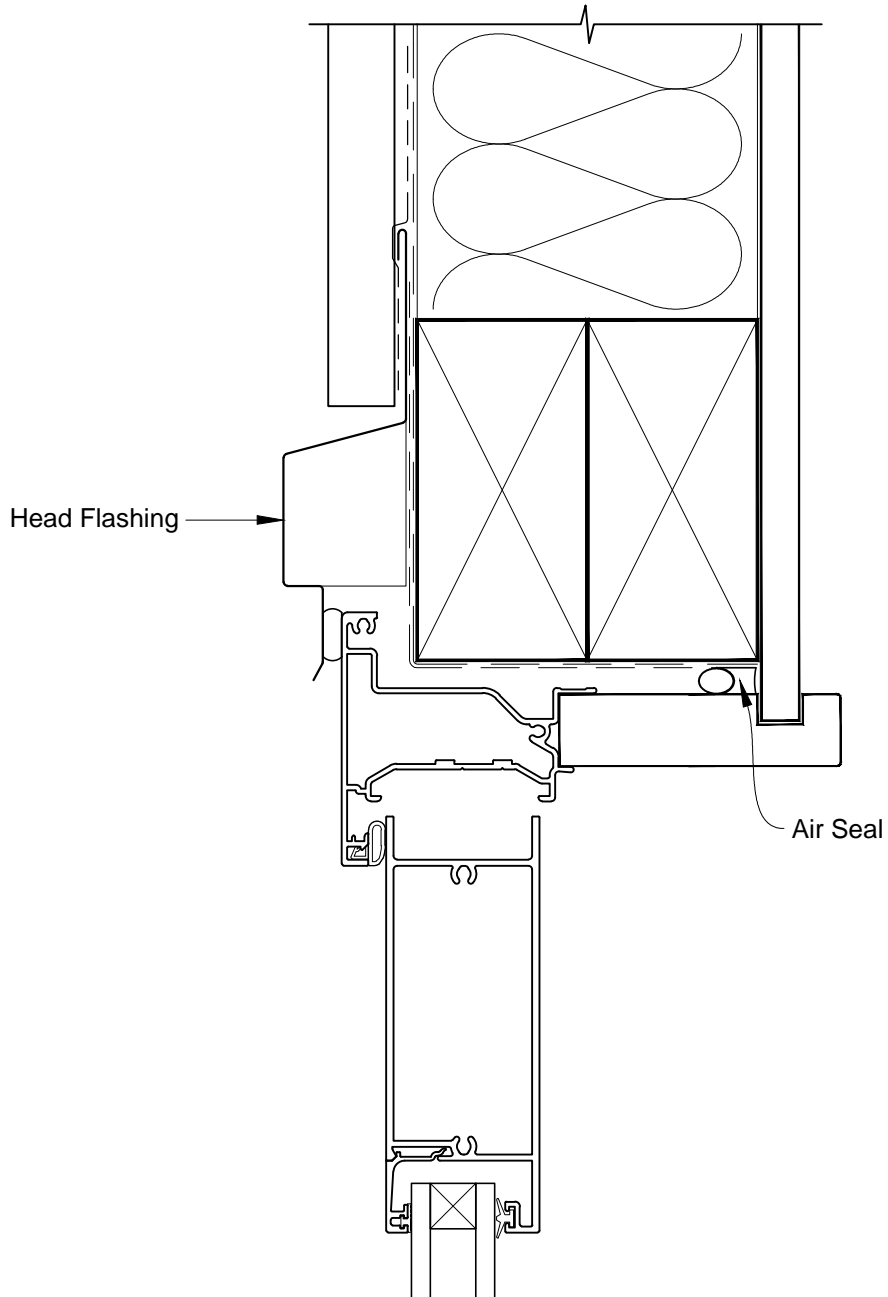
**INSTALLATION DETAIL - METRO SERIES  
HINGED DOOR OPEN IN ON PROFILE METAL  
CAVITY CONSTRUCTION**

Date: 01.03.14      Scale: 1:2      CAD Ref.: MSHIPM-CS



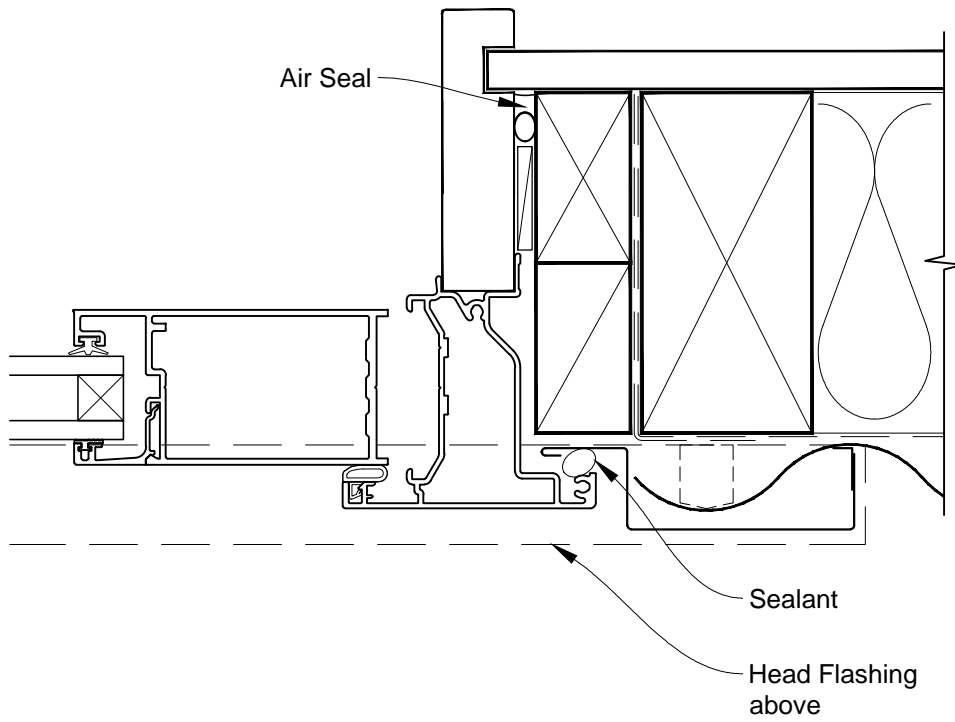
**INSTALLATION DETAIL - METRO SERIES  
HINGED DOOR OPEN IN ON PROFILE METAL  
DIRECT FIXED CLADDING**

Date: 01.03.14      Scale: 1:2      CAD Ref.: MSHIPM-DH



**INSTALLATION DETAIL - METRO SERIES  
HINGED DOOR OPEN IN ON PROFILE METAL  
DIRECT FIXED CLADDING**

Date: 01.03.14      Scale: 1:2      CAD Ref.: MSHIPM-DJ



**INSTALLATION DETAIL - METRO SERIES  
HINGED DOOR OPEN IN ON PROFILE METAL  
DIRECT FIXED CLADDING**

Date: 01.03.14

Scale: 1:2

CAD Ref.: MSHIPM-DS

