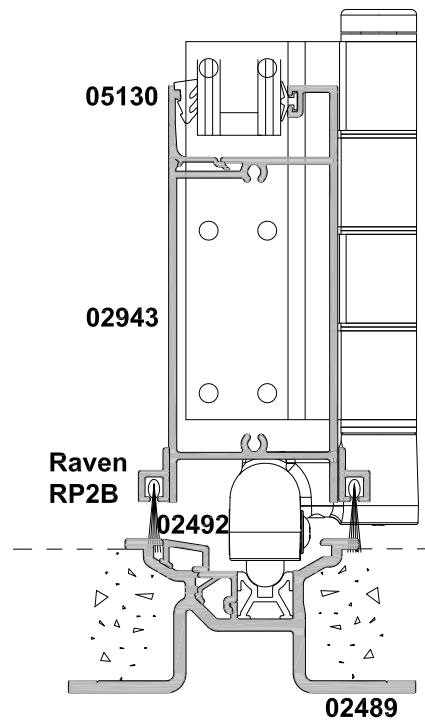
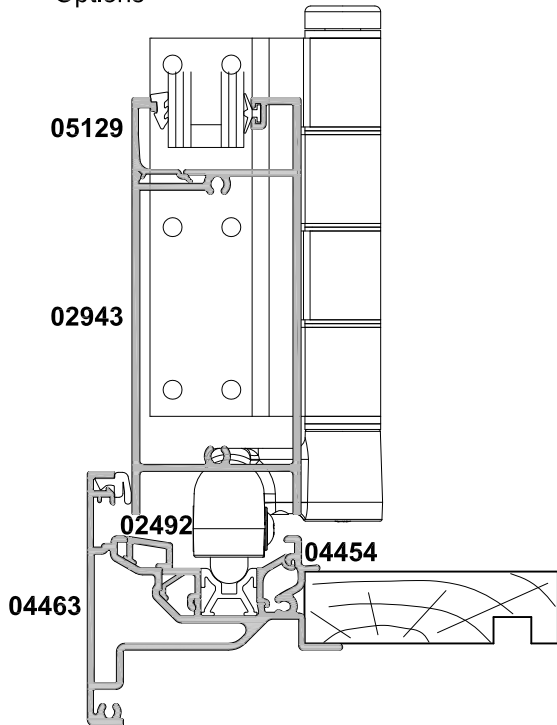


SECTION A-A
Refer to Hinge Door
Section for Vision Rail
Options



REBATED SILL TRACK OPTION
(FOR SHELTERED LOCATIONS ONLY)

Note - Pay particular attention
to the drainage of the track.