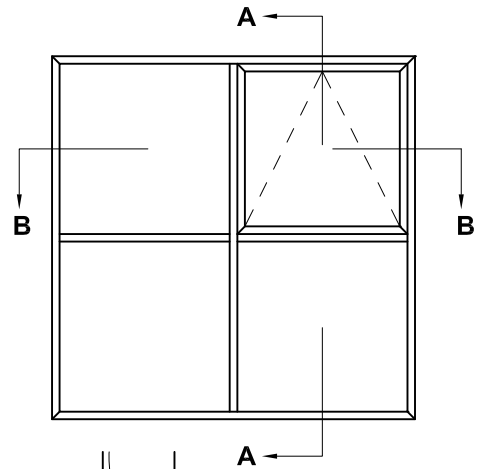
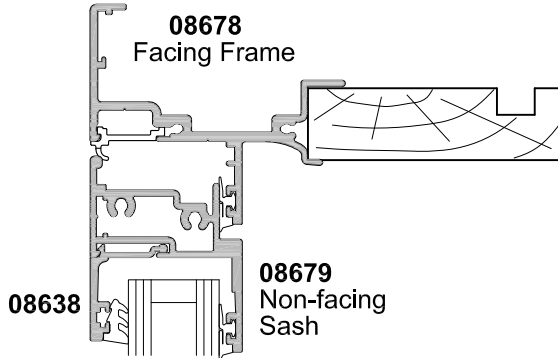


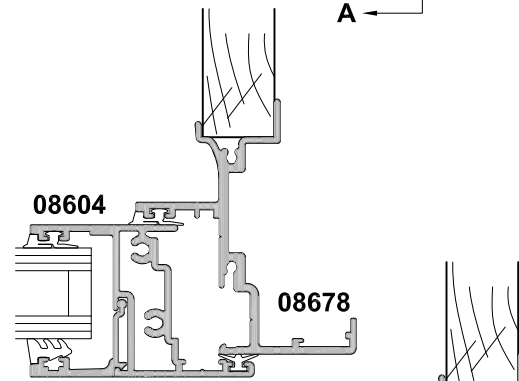
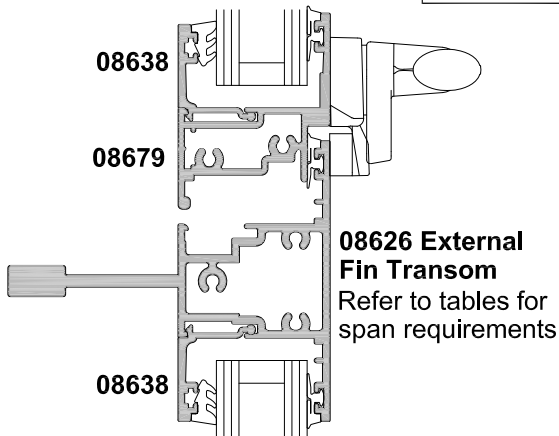
METRO SERIES, A100MS AWNING WINDOW EXTERNAL FIN MULLION / TRANSOM

CROSS SECTION

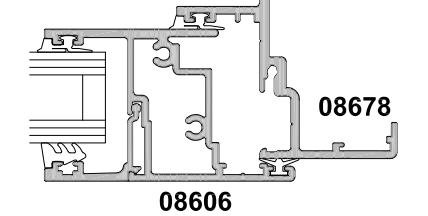
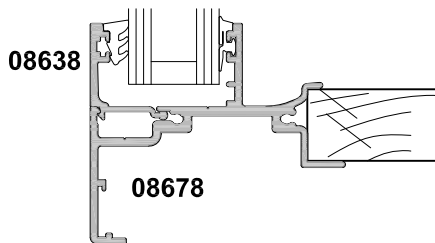
Cad Ref. AMAW02-0 Scale 1:2 Date 01.06.11



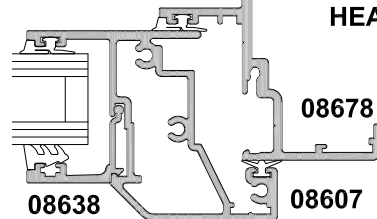
SECTION A-A



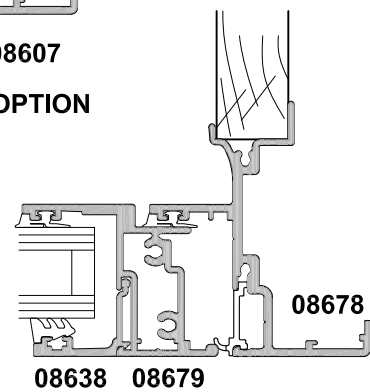
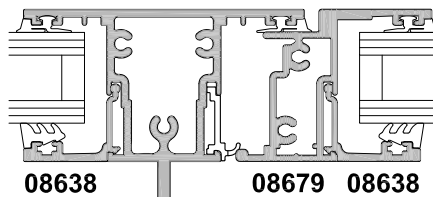
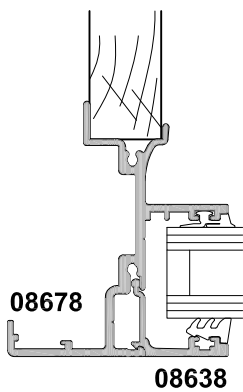
STANDARD BEADED SASH OPTION



HEAVY BEADED SASH OPTION



STEPPED BEADED SASH OPTION



SECTION B-B

08614 External Fin Mullion
Refer to tables for span requirements