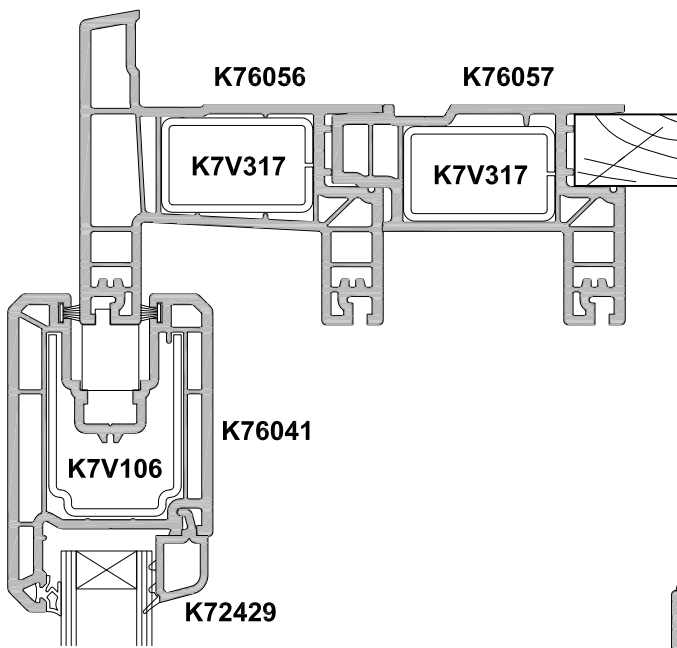
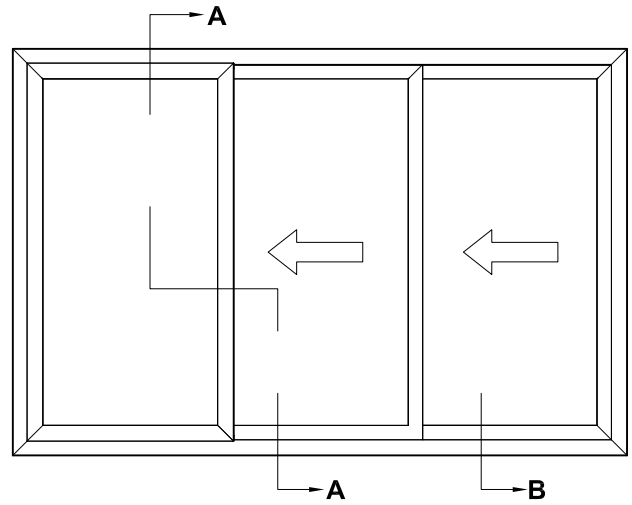
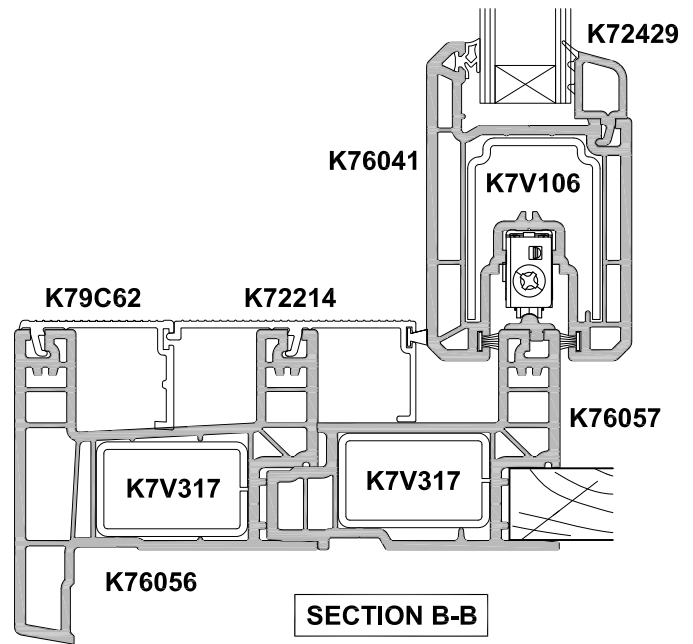


KLIMA SERIES, SLIDING DOOR THREE PANELS FSS, VERTICAL DETAILS CROSS SECTION

Cad Ref. AKSD03-0 Scale 1:2 Date 01.01.17



SECTION A-A



SECTION B-B

