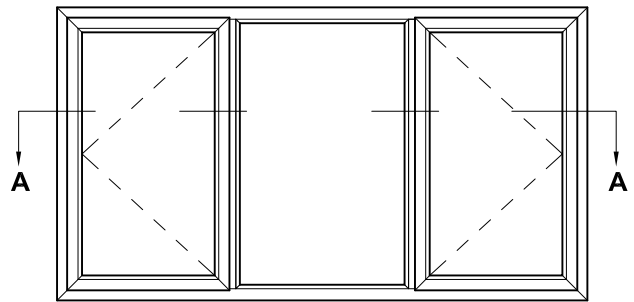
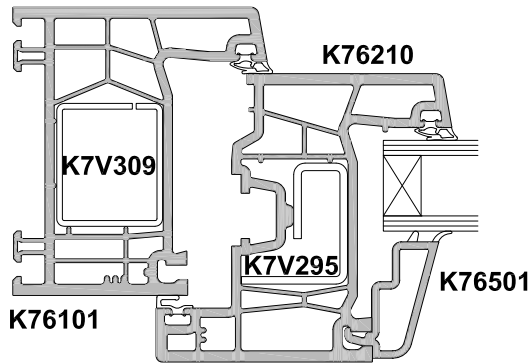
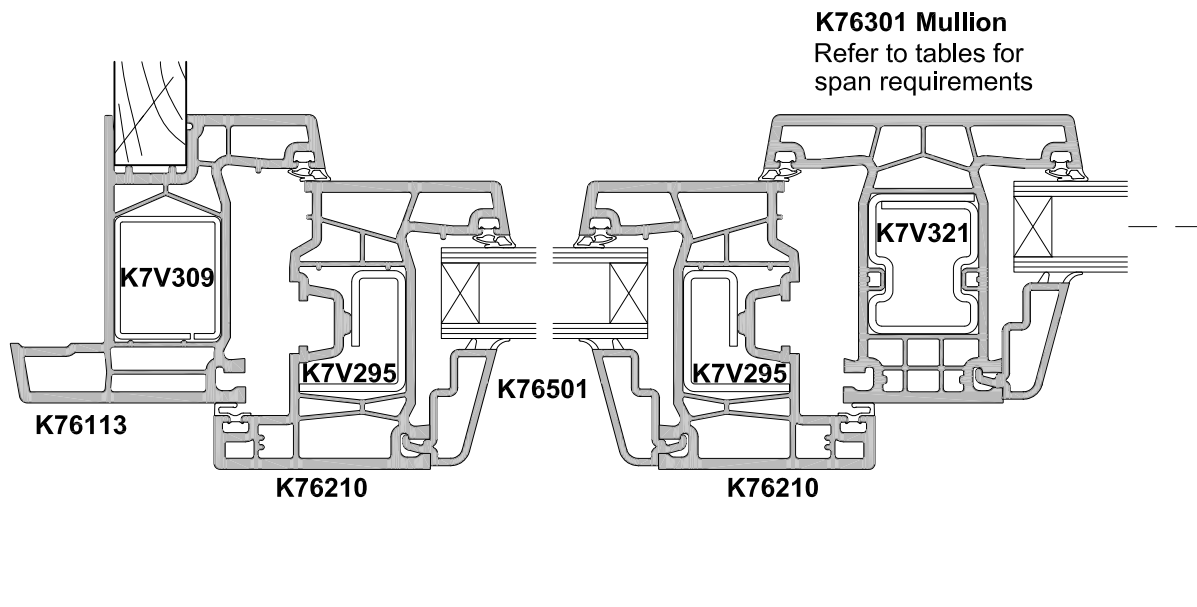


KLIMA SERIES, CASEMENT WINDOW HORIZONTAL DETAILS, SASH OPEN OUT CROSS SECTION

Cad Ref. AKAW04-0 Scale 1:2 Date 01.01.17



CHAIR FRAME OPTION



SECTION A-A

